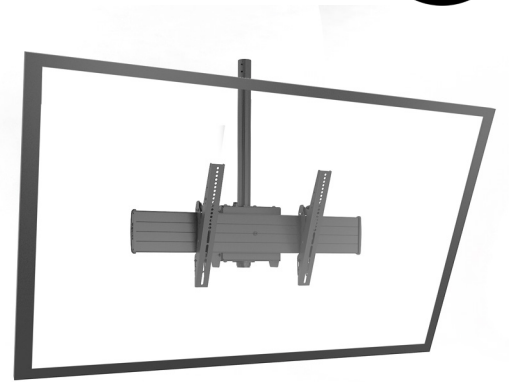


FUSION™ X-LARGE SINGLE POLE FLAT PANEL CEILING MOUNTS



Certifications	UL Listed
Color	Black
Mounting Pattern Compatibility (Universal Versions)	200 x 100 mm - 800 x 400 mm
Notes	TAA compliant
Overall Dimensions (HxWxD)	423 x 885 x 200mm
Post-Installation Leveling (Roll)	Yes
Shipping Weight	12 kg
Tilt	+ 5° , - 20°
Typical Screen Sizes*	60 - 90"
Weight Capacity	113 kg



Color option:



*Always check compatibility with the Chief mountfinder on the Chief website.

SPECIFICATIONS

- Quick connect/disconnect system
- Gravity Based tilt mechanism allows continuous tilt ranges up to 12 degrees.
- Tilt mechanism has 4 locking points
- Post installation display levelling option
- Tool free on/off connection of the display with integrated security option
- Mount is compatible with AV storage, AV shelve and AV camera adapter
- Mount is compatible with 2 column systems
 - Threaded extensions columns
 - Pin Connect extension columns
- VESA compatible: 200 x 100 - 800 x 400 mm
- Orientation: Landscape
- Overall Dimensions (HxWxD): 423 x 885 x 200 mm
- Weight capacity: 113 kg
- Color: Black
- Certifications: UL

RECOMMENDED ACCESSORIES



FCA520

Fusion™ Universal clamp kit to attach media players or power strips to the back of flat panel displays



FCA810

20 cm wide shelf sits above or below display to hold AV components



FCA510

Fusion™ Small Storage Accessory to store PC's and media player devices behind flat panel displays

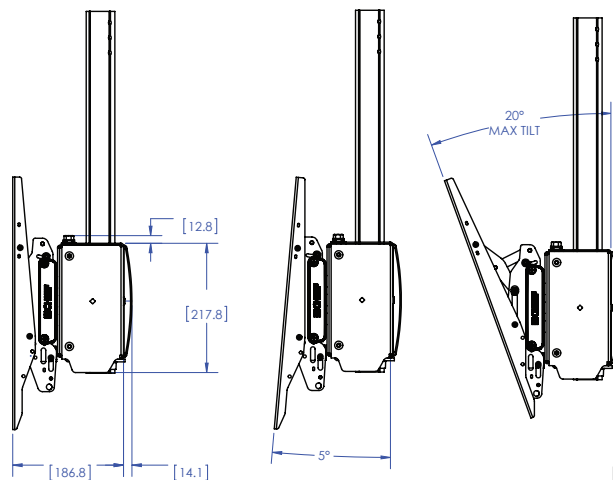
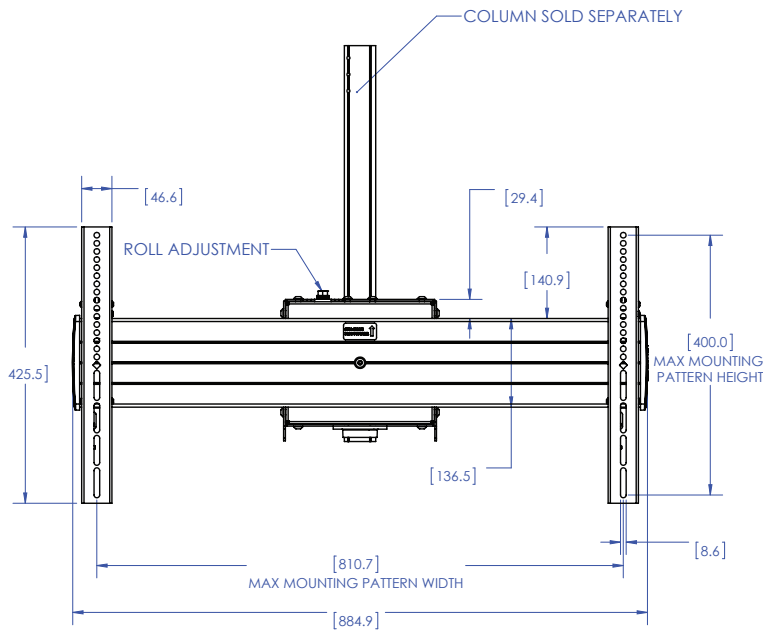
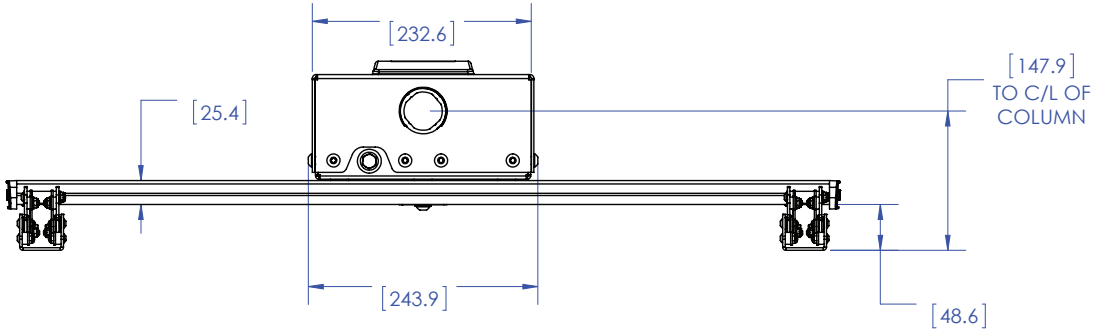


FCA811

35 cm wide shelf sits above or below display to hold AV components

TECHNICAL DRAWINGS

Dimensions in mm.



EXTRA LARGE CEILING MOUNT,
SINGLE COLUMN

A BRAND OF MILESTONE AV TECHNOLOGIES - www.chiefmfg.com

USA P 800.582.6480 / +1.952.225.6000 - F 877.894.6918 / +1.952.894.6918 - chief@chiefmfg.com
 Canada P 877.345.4329 - F 888.377.5314 - canadainfo@milestone.com
 EMEA P +31 495 580 840 - F +31 495 580 845 - emea.sales@milestone.com
 Asia Pacific P +852 2145 4099 - F +852 2145 4477 - asia.chief@milestone.com

