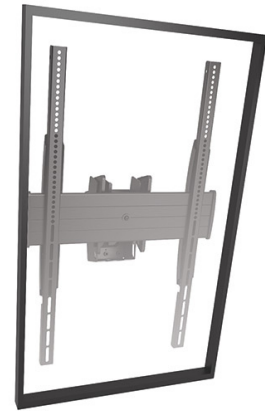


FUSION™ LARGE PORTRAIT FLAT PANEL CEILING MOUNT



Certifications	UL Listed
Adjustments	Roll, +/- 3°
Color	Black
Weight Capacity	56.7 kg
Mounting Pattern Compatibility (Universal Versions)	200 x 100mm - 400 x 800mm
Orientation	Portrait
Overall Dimensions (HxWxD)	934 x 610 x 229 mm
Shipping Weight	12 kg
Tilt	+ 5° , - 20°

*Always check compatibility with the Chief mountfinder on the Chief website.



Color option:



SPECIFICATIONS

- Quick connect/disconnect system
- Gravity Based tilt mechanism allows continuous tilt ranges up to 12 degrees.
- Tilt mechanism has 4 locking points
- Post installation display levelling option
- Tool free on/off connection of the display with integrated security option
- Mount is compatible with AV storage, AV shelf and AV camera adapter
- Mount is compatible with 2 column systems
 - Threaded extensions columns
 - Pin Connect extension columns
- VESA compatible: 200 x 200mm - 400 x 800mm
- Orientation: Portrait
- Overall Dimensions (HxWxD): 93.4 x 61.0 x 22.9 cm
- Weight capacity: 56.7 kg
- Color: Black
- Certifications: UL

RECOMMENDED ACCESSORIES



FCA520

Fusion™ Universal clamp kit to attach media players or power strips to the back of flat panel displays



FCA810

20 cm wide shelf sits above or below display to hold AV components



FCA510

Fusion™ Small Storage Accessory to store PC's and media player devices behind flat panel displays



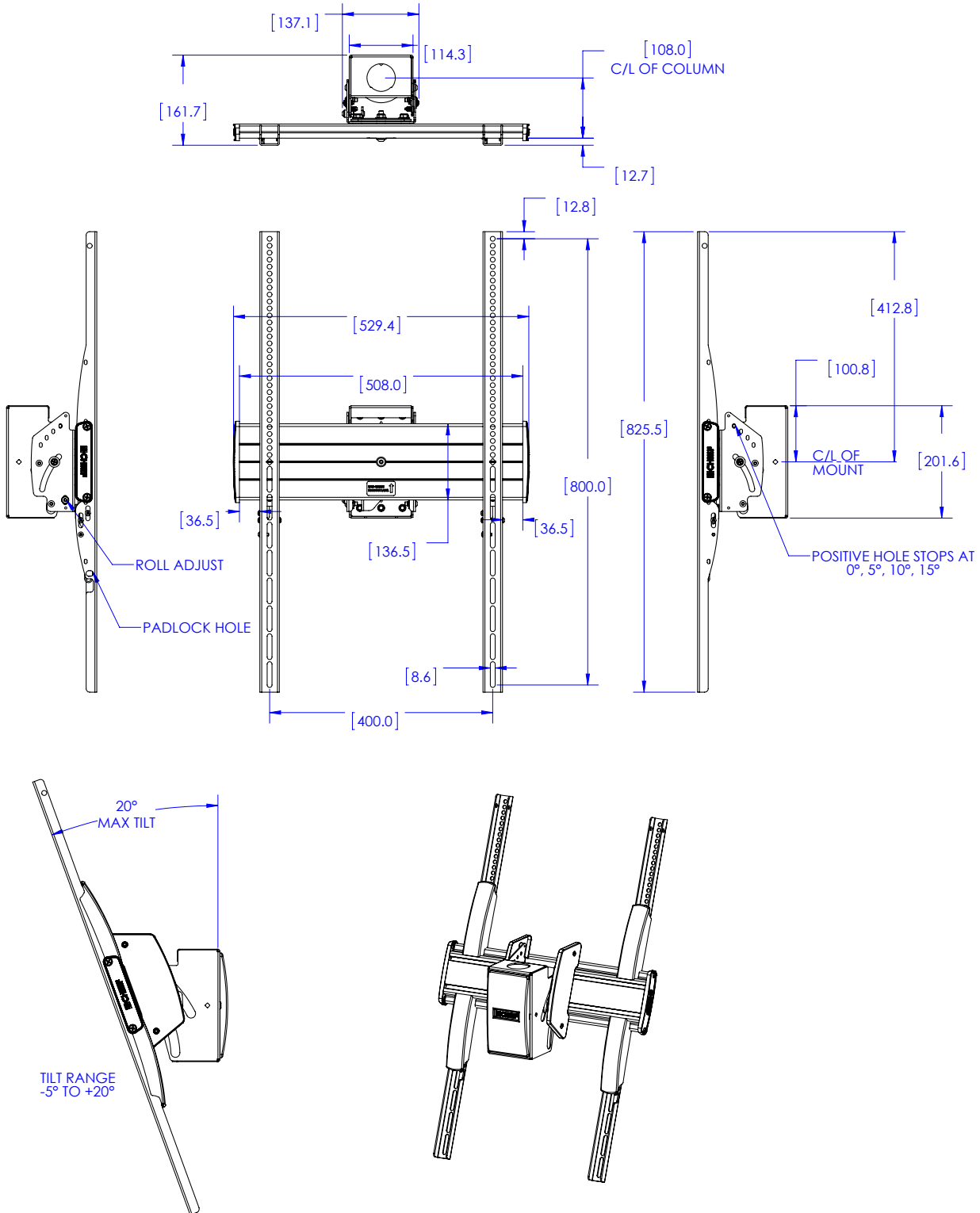
FCA811

35 cm wide shelf sits above or below display to hold AV components



TECHNICAL DRAWINGS

Dimensions in mm.



A BRAND OF MILESTONE AV TECHNOLOGIES - www.chiefmfg.com

USA P 800.582.6480 / +1.952.225.6000 - F 877.894.6918 / +1.952.894.6918 - chief@chiefmfg.com
 Canada P 877.345.4329 - F 888.377.5314 - canadainfo@milestone.com
 EMEA P +31 495 580 840 - F +31 495 580 845 - emea.sales@milestone.com
 Asia Pacific P +852 2145 4099 - F +852 2145 4477 - asia.chief@milestone.com

