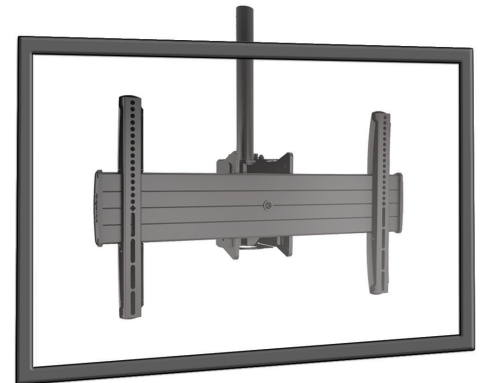


### FUSION™ LARGE FLAT PANEL CEILING MOUNT



Certifications	UL Listed
Adjustments	Roll, +/- 3°
Color	Black
Weight Capacity	56.7 kg
Mounting Pattern Compatibility (Universal Versions)	200mm x 100mm - 616 x 400mm
Orientation	Landscape
Overall Dimensions (HxWxD)	420 x 681 x 162 mm
Shipping Weight	9 kg
Tilt	+ 5° , - 20°



Color option:



\*Always check compatibility with the Chief mountfinder on the Chief website.

### SPECIFICATIONS

- Quick connect/disconnect system
- Gravity Based tilt mechanism allows continuous tilt ranges up to 12 degrees.
- Tilt mechanism has 4 locking points
- Post installation display levelling option
- Tool free on/off connection of the display with integrated security option
- Mount is compatible with AV storage, AV shelf and AV camera adapter
- Mount is compatible with 2 column systems
  - Threaded (1.5 NPT) extensions columns
  - Pin Connect extension columns
- VESA compatible: 200 x 100 - 616 x 400 mm
- Orientation: Landscape
- Overall Dimensions (HxWxD): 420 x 681 x 162 mm
- Weight capacity: 56.7 kg
- Color: Black
- Certifications: UL

### RECOMMENDED ACCESSORIES



#### FCA520

Fusion™ Universal clamp kit to attach media players or power strips to the back of flat panel displays



#### FCA800

20 cm wide shelf sits above or below display to hold AV components



#### FCA510

Fusion™ Small Storage Accessory to store PC's and media player devices behind flat panel displays



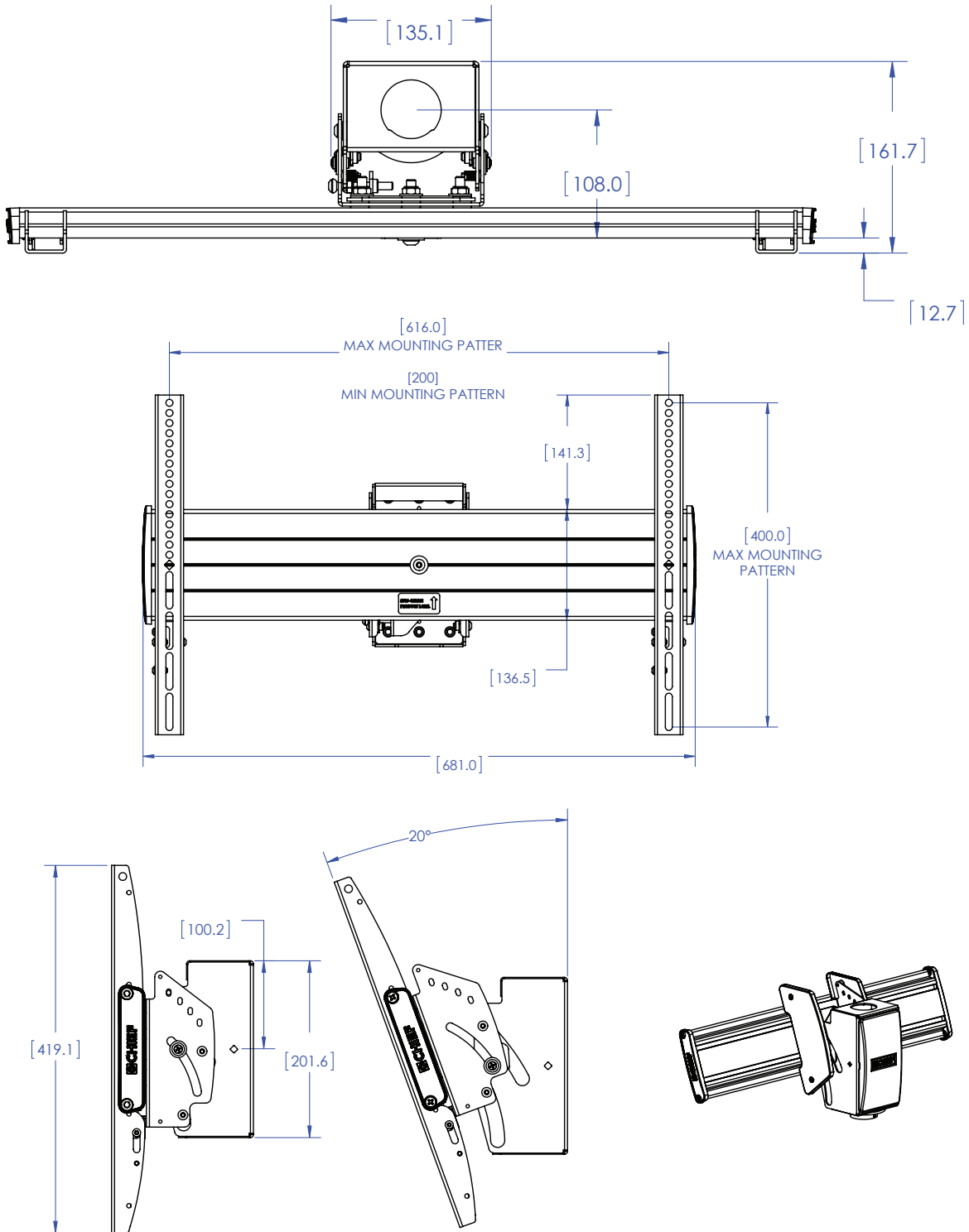
#### FCA801

35 cm wide shelf sits above or below display to hold AV components



## TECHNICAL DRAWINGS

Dimensions in mm.



LCM1U/LCM1US

A BRAND OF MILESTONE AV TECHNOLOGIES - [www.chiefmfg.com](http://www.chiefmfg.com)

USA P 800.582.6480 / +1.952.225.6000 - F 877.894.6918 / +1.952.894.6918 - [chief@chiefmfg.com](mailto:chief@chiefmfg.com)  
 Canada P 877.345.4329 - F 888.377.5314 - [canadainfo@milestone.com](mailto:canadainfo@milestone.com)  
 EMEA P +31 495 580 840 - F +31 495 580 845 - [emea.sales@milestone.com](mailto:emea.sales@milestone.com)  
 Asia Pacific P +852 2145 4099 - F +852 2145 4477 - [asia.chief@milestone.com](mailto:asia.chief@milestone.com)

