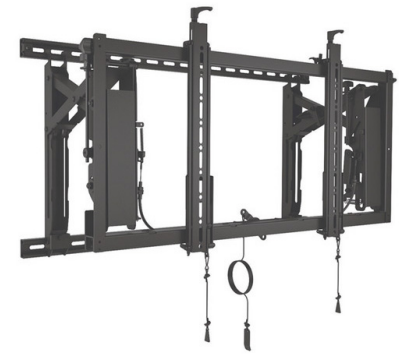


### CONNEXSYS™ VIDEO WALL LANDSCAPE MOUNTING SYSTEM WITH RAILS



Certifications	UL Listed
Color	Black
Manual Height Adjustment	± 2.5 cm
Maximum Extension	34.0 cm
Minimum Depth	10.2 cm
Mounting Pattern Compatibility (Universal Versions)	200 x 100 - 700 x 400 mm
Orientation	Landscape
Overall Dimensions (HxWxD)	554 x 902 x 102 mm
Shipping Weight	20 kg
Solution Type	Universal
Tilt	+ 4.0°, -2.5°
Typical Screen Sizes*	42 - 80"
Weight Capacity	68 kg

\*Always check compatibility with the Chief mountfinder on the Chief website.



Color option:



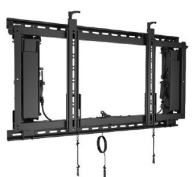
Watch the video



### SPECIFICATIONS

- Mount unit to be compatible with mounting on standard 41mm channel strut for fast horizontal row leveling.
- 6 point of micro adjustments in one location at the top of the mount.
- Height adjustment minimum 2.5 cm on each interface
- Tilt adjustment at single pivot point, protects displays from twisting
- Depth can be set between 1000 mm and 1880mm from the wall, providing a range of “home positions” ideal for recessed installations
- Both sides (left and right) of the mount adjust independently, compensating for imperfections in the wall
- Walls can be out of alignment by up to 510 mm (horizontally)
- Fine-tune lateral adjustment using turn knobs, protecting screens from potential collisions
- Cord release system remotely pops display out for easy access without pushing the displays and can extend displays out 34.0 cm for service.
- Mount must prevent accidental pop out / release of the displays
- Kickstand provides 20 degrees of bottom tilt access
- Portrait display mount option available (LVS1UP)
- VESA compatible: 200 x 100 - 700 x 400
- Overall Dimensions (HxWxD): 554 x 902 x 102 mm
- Weight capacity: 68 kg
- Color: Black
- Certifications: UL

### THE LVS SERIES



**LVS1U**  
42 - 80" Landscape  
Mount with Rails



**LVS1UP**  
40 - 80" Portrait  
Mount with Rails



**LVSXU**  
42 - 80" Landscape  
Mount without Rails

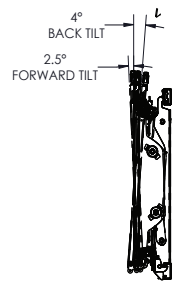
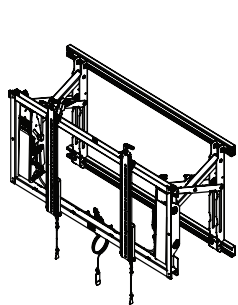
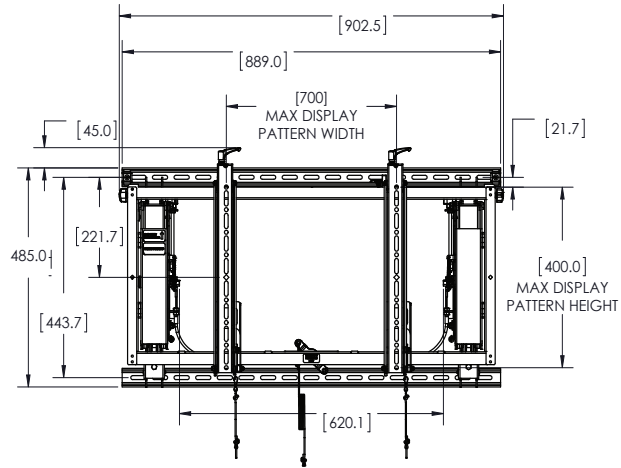
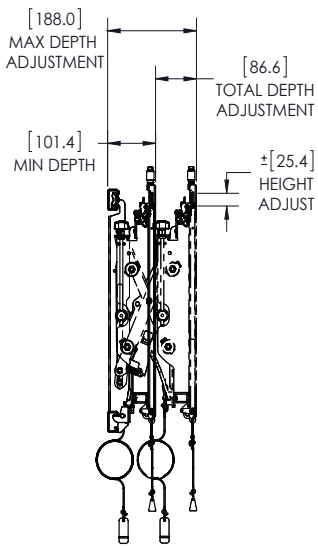
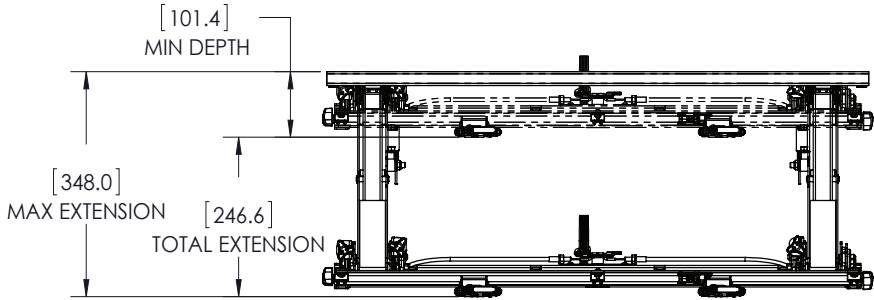


**LVSXUP**  
40 - 80" Portrait  
Mount without Rails



## TECHNICAL DRAWINGS

Dimensions in mm.



LVS1U, VIDEO WALL MOUNT

A BRAND OF MILESTONE AV TECHNOLOGIES - [www.chiefmfg.com](http://www.chiefmfg.com)

USA P 800.582.6480 / +1.952.225.6000 - F 877.894.6918 / +1.952.894.6918 - [chief@chiefmfg.com](mailto:chief@chiefmfg.com)  
 Canada P 877.345.4329 - F 888.377.5314 - [canadainfo@milestone.com](mailto:canadainfo@milestone.com)  
 EMEA P +31 495 580 840 - F +31 495 580 845 - [emea.sales@milestone.com](mailto:emea.sales@milestone.com)  
 Asia Pacific P +852 2145 4099 - F +852 2145 4477 - [asia.chief@milestone.com](mailto:asia.chief@milestone.com)

