

# NS-AW Series

## Surface Mount Speakers

### NS-AW294



### NS-AW194



*High performance outdoor speakers with outstanding sound quality and weatherproofing. The simple design allows them to be installed in many types of locations.*

#### *High Sound Quality*

- Yamaha's advanced speaker design combines superior sound quality with excellent weatherproofing
- Two-way bass reflex design
  - Powerful woofer delivers accurate mid/low frequency response
  - Balanced dome tweeter ensures clear high frequency response
- Excellent audio performance, weatherproof cabinets that are drip, water and UV resistant

#### *Convenient Design*

- Simple design looks natural on a home exterior, on a patio or inside a room
- Two sizes and two color variations allows you to choose the best match in various installations
- Flexible installation options with supplied mounting brackets
- Powder-coated grilles provide outstanding weatherproof properties
- Push type speaker terminals for easy installation

#### *Convenient Design and Features*

##### **Simple, Elegant Design**

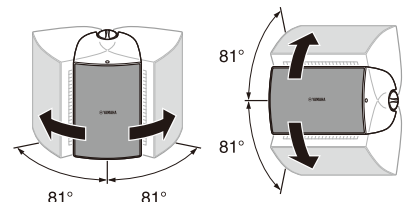
These speakers have a clean, simple design that will look attractive in any location on the exterior of your house, and even present a tasteful appearance when used in an interior installation.

##### **Two sizes, Two Colors**

Available in two types and in white or black, you can choose the model that best matches your desired exterior or interior installation location.

##### **Wide Range of Installation Possibilities**

The supplied brackets allow you to adjust the speakers to match the installation location. They can be installed vertically or horizontally, and can be moved through a range of 81° to the right or left and up or down directions.



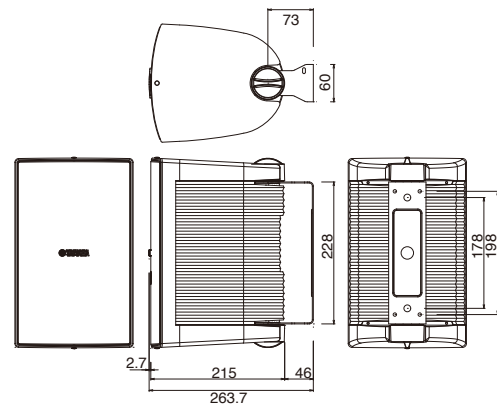
## NS-AW294

### GENERAL SPECIFICATIONS

Type	2-way bass-reflex
Woofers	6-1/2" (16cm) waterproof cone
Tweeter	1" (2.5cm) fluid-cooled, coated balanced dome
Frequency Response	80 Hz-20 kHz
Nominal Input Power	50 W
Maximum Input Power	100 W
Sensitivity	87 dB/2.83 V/1 m
Waterproof Characteristics	IPx3
Cabinet	HIPS
Movable angle	81° (degree pitch:13.5°)
Grille	Powder coated iron
Speaker Terminals	Push-type
Impedance	8 ohms
Dimensions (W x H x D)	7-1/2" x 12-1/8" x 8-1/2" 190 x 308 x 217 mm
Weight	4.4 lbs.; 2 kg/unit
Included accessories	U-bracket, Retaining knob
Packaging	Packaged in pair

\* Product designs and specifications are subject to change without notice.

### DIMENSIONS



unit : mm

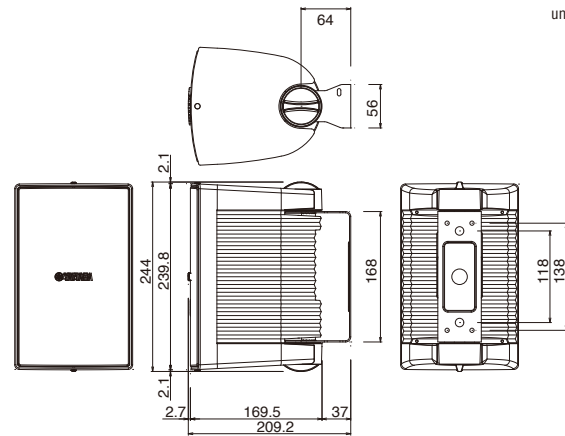
## NS-AW194

### GENERAL SPECIFICATIONS

Type	2-way bass-reflex
Woofers	4" (10cm) waterproof cone
Tweeter	1" (2.5cm) fluid-cooled, coated balanced dome
Frequency Response	100 Hz-20 kHz
Nominal Input Power	30 W
Maximum Input Power	80 W
Sensitivity	85 dB/2.83 V/1 m
Waterproof Characteristics	IPx3
Cabinet	HIPS
Movable angle	81° (degree pitch:13.5°)
Grille	Powder coated iron
Speaker Terminals	Push-type
Impedance	8 ohms
Dimensions (W x H x D)	6" x 9-5/8" x 6-3/4" 152 x 243 x 171 mm
Weight	2.9 lbs.; 1.3 kg/unit
Included accessories	U-bracket, Retaining knob
Packaging	Packaged in pair

\* Product designs and specifications are subject to change without notice.

### DIMENSIONS



unit : mm

\* Product designs and specifications are subject to change without notice.