

# SMS CLAMP



Need an extra hand?

The Clamp is constructed for special needs. It allows easy and quick mounting of your screen. Perfect for when you need to display your screen in places where it would otherwise be difficult mount.

The SMS Clamp also makes it possible to move the screen sideways along a (horizontal) pillar. It is recommended for screens up to 15 kg.

---

#### SUITABLE FOR:

SMS Flatscreen CL F250  
 SMS Flatscreen CL F500  
 SMS Flatscreen CL F700  
 SMS Flatscreen CL F1000  
 SMS Flatscreen CL F1500  
 SMS Flatscreen CL F2300  
 SMS Flatscreen CL ST400/800/1200/1800  
 SMS Flatscreen CM ST400/800/1200/1800  
 SMS Flatscreen CL VST300-350  
 SMS Flatscreen CL VST500-750  
 SMS Flatscreen CL VST650-900  
 SMS Flatscreen CL VST850-1100  
 SMS Flatscreen CL VST1050-1300

SMS Projector CL V300-350  
 SMS Projector CL V500-750  
 SMS Projector CL V650-900  
 SMS Projector CL V850-1100  
 SMS Projector CL V1050-1300  
 SMS Projector CL F250  
 SMS Projector CL F500  
 SMS Projector CL F700  
 SMS Projector CL F1000  
 SMS Projector CL F1500  
 SMS Projector CL F2300

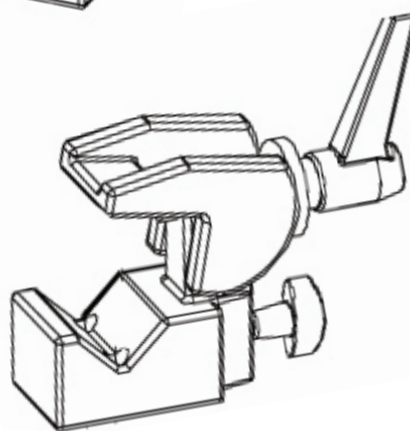
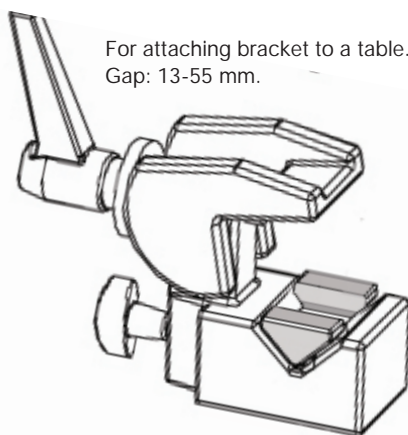
# SMS CLAMP

**INFO**

- Color: Black/silver.
- Max load: 15 kg
- Swivel: Can be rotated 360°.

**ART. NO**  
FS040013**DESCRIPTION**  
SMS Clamp Black/silver

For attaching bracket to a table.  
Gap: 13-55 mm.



For attaching bracket to a pipe..  
Gap: 13-55 mm.



SMART MEDIA SOLUTIONS

[www.SmartMediaSolutions.se](http://www.SmartMediaSolutions.se)