

**Description**

This ceiling mount bracket is to be used when mounting projectors to high ceilings.

**NOTE:** This ceiling mount bracket cannot be used by itself. Combine it with the optional bracket assembly.

**Specifications**

Vertical correction angle: +5°, -20°  
 Horizontal slant correction angle: ±10°\*1  
 Horizontal turn correction angle: ±5°  
 Dimensions (W × H × D): 150 × 293–373 × 160 mm (5-29/32 × 11-17/32–14-11/16 × 6-5/16 inches)  
 Weight: 1.8 kg\*2 (4.0 lbs)\*2  
 Applicable bracket assembly: ET-PKL420B/PKL430B

\*1 Correction angle when using together with the PKL420B/PKL430B.

\*2 Average value. May differ depending on models.

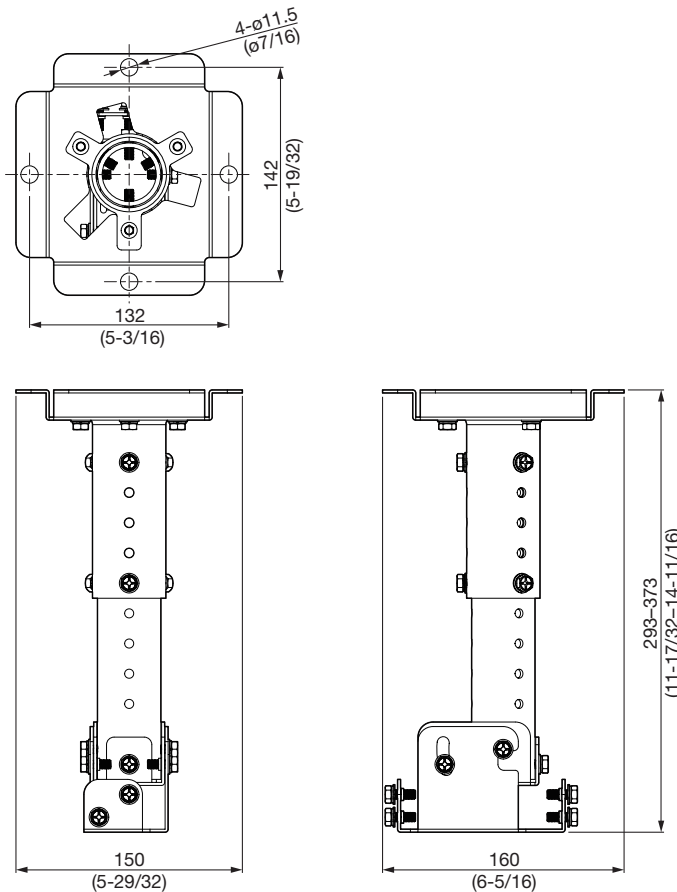
Weights and dimensions shown are approximate. Specifications and appearance are subject to change without notice.

<b>Parts</b>	Attachment plate .....	1	Angle adjuster A .....	1
	Adjuster pole A .....	1	Angle adjuster B .....	1
	Adjuster pole B .....	1	Washer-fitted hexagonal bolts (M6 × 16) .....	19

**Caution:**

- Mounting should be done by a qualified technician.
- Make sure that the mounting (ceiling) area has sufficient strength.
- Read the enclosed Installation instructions thoroughly before starting. The instructions for installing the drop-prevention wire are given in the Installation Instructions for the base mount bracket.
- Do not use an electric screwdriver or impact driver to tighten screws. Use a torque driver or hexagon torque wrench and tighten screws to the torque specified in the instructions.
- When the product is no longer going to be used, have it disposed of quickly by a professional disposal service.

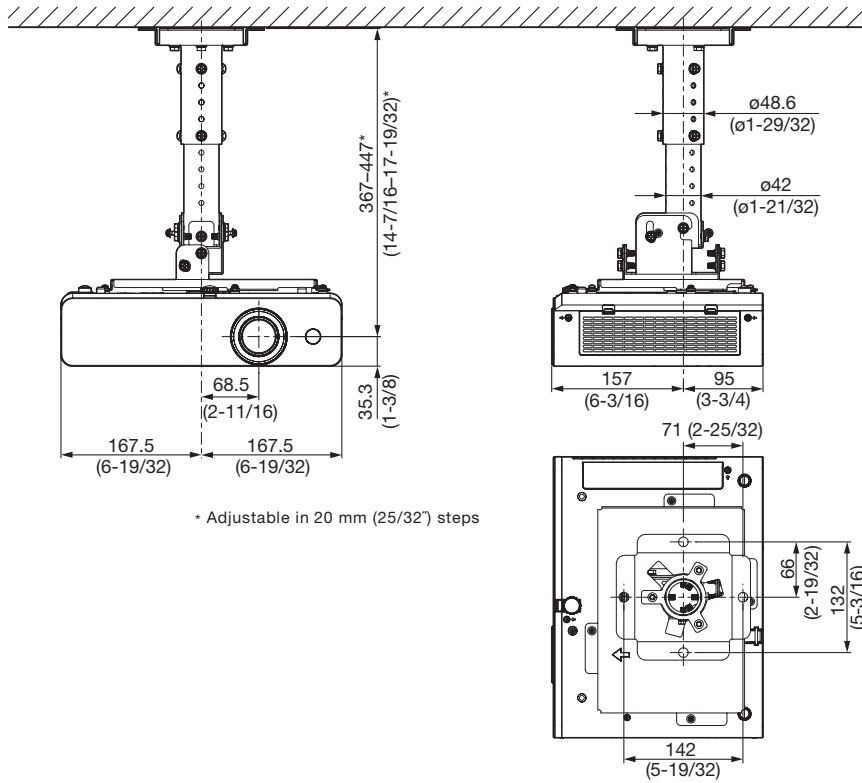
**Dimensions**



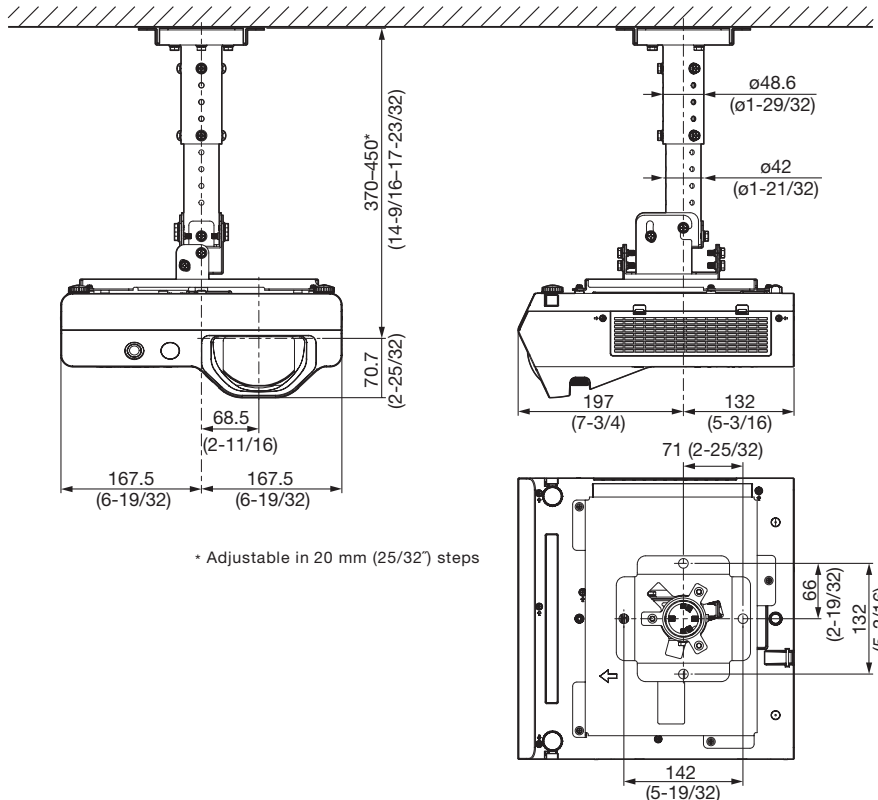
unit : mm (inch)  
 NOTE: This illustration is not drawn to scale.

Dimensions

The illustration shows the ceiling mount bracket when it is combined with the ET-PKL420B and the PT-LW330/LW280/LB360/LB330/LB300/LB280 is attached.



The illustration shows the ceiling mount bracket when it is combined with the ET-PKL430B and the PT-TW341R/TW340/TW250/TX400/TX310/TX210 is attached.



unit : mm (inch)  
NOTE: This illustration is not drawn to scale.