

## Specifications

Model	NP-PA803U	NP-PA723U	NP-PA653U	NP-PA853W	NP-PA703W	NP-PA903X	
Method	Three primary colour liquid crystal shutter projection						
Specifications of main parts							
Liquid crystal panel	Size	0.76" (with DMLA) × 3 (aspect ratio: 16:10)				0.79" (with DMLA) × 3 (aspect ratio: 4:3)	
	Pixels*1	2,304,000 (1,920 dots × 1,200 lines)		1,024,000 (1,280 dots × 800 lines)		786,432 (1,024 dots × 768 lines)	
Projection lenses*2	Zoom	Motorized*3 / Manual*4 (Digital Zoom) (zoom range depends on lens)					
	Focus	Motorized*3 / Manual*4					
	Lens shifting	Refer to Lens Specifications					
Lamp wattage*5	420 W AC	400 W AC	370 W AC	420 W AC	370 W AC	420 W AC	
Light Source (Lamp) 50% Light Output	ECO mode OFF	3,000 H	3,500 H	4,000 H	3,000 H	4,000 H	3,000 H
	ECO mode	5,000 H	5,000 H	5,000 H	5,000 H	5,000 H	5,000 H
Light output*6*7*8	ECO mode OFF	8,000 lm	7,200 lm	6,500 lm	8,500 lm	7,000 lm	9,000 lm
	ECO mode	4,800 lm	4,800 lm	4,800 lm	5,100 lm	5,100 lm	5,400 lm
Contrast ratio*7 (all white / all black)	10k: 1 with Iris Lamp Adj	8k: 1 with Iris Lamp Adj	10k: 1 with Iris Lamp Adj	8k: 1 with Iris Lamp Adj	10k: 1 with Iris Lamp Adj	10k: 1 with Iris Lamp Adj	
Screen size (throw distance)	30" to 500" (throw distance depends on lens)						
Colour reproducibility	10-bit colour processing (approx. 1.07 billion colours)						
Quietness (ECO mode ON / ECO mode OFF)	33 dB / 39 dB						
Scan rate	Horizontal	Analogue: 15 kHz, 24 to 100 kHz (24 kHz or greater for RGB inputs), conforms to VESA standards / Digital: 15 kHz, 24 to 153 kHz, conforms to VESA standards					
	Vertical	Analogue: 48 Hz, 50 to 85 Hz, 100, 120 Hz conforms to VESA standards / Digital: 24, 25, 30, 48 Hz, 50 to 85 Hz, 100, 120 Hz conforms to VESA standards					
Max. display resolution (horizontal × vertical)	Analogue: 1,920 × 1,200 (with Advanced AccuBlend) / Digital: 4,096 × 2,160 (with Advanced AccuBlend)						
Keystone Correction	Horizontal	Manual, Approx. ± 40 Max degrees					
	Vertical	Manual, Approx. ± 40 Max degrees					
Input / output connectors							
Computer / Component	Video input	Mini D-Sub 15-pin × 1					
	Audio input	Stereo mini jack × 1					
	Audio output	Stereo mini jack × 1 (common for all signals)					
HDMI	Video input	Type A HDMI connector × 2, Deep Colour (colour depth): Support 8bits, 10bits, 12bits, Colourimetry Support: RGB, YCbCr444, YCbCr422, YCbCr420, REC2020, REC709, REC601, Support 4K, 3D, HDCP*9, LipSync, HDR					
	Audio input	Yes					
HDBaseT / Ethernet Port	Video input	RJ45 × 1, Support 100BASE-TX, Deep Colour (colour depth): Support 8bits, 10bits, 12bits, Colourimetry Support: RGB, YCbCr444, YCbCr422, YCbCr420, REC2020, REC709, REC601, Support 4K, 3D, HDCP*9, LipSync, HDR					
	Audio input	Yes					
	Video output	RJ45 × 1, Support 100BASE-TX, Deep Colour (colour depth): Support 8bits, 10bits, 12bits, Colourimetry Support: RGB, YCbCr444, YCbCr422, REC709, REC601, Support 4K, 3D, HDCP, LipSync					
	Audio output	Yes					
DisplayPort	Video input	DisplayPort 20 pin connector × 1, Deep Colour (colour depth): Support 8bits, 10bits, 12bits, Colourimetry Support: RGB, YCbCr444, YCbCr422, REC709, REC601, Support 4K, 3D, HDCP*9					
	Audio input	Yes					
PC control connector	D-Sub 9-pin × 1						
USB port	USB type A × 1, (USB 2.0 High speed / Full speed / Low speed) for Mouse						
Ethernet / LAN / HDBaseT port	RJ-45 × 1, Supports 10BASE-T / 100BASE-TX, HDBaseT						
Remote connector	Stereo mini jack × 1						
3D SYNC output terminal	5 V / 10 mA, synchronized signal output for 3D use						
Usage environment							
Operating temperature: 5 to 40°C*10, Operating humidity: 20 to 80 % (with no condensation)							
Storage temperature: -10 to 50°C, Storage humidity: 20 to 80 % (with no condensation)							
Operating altitude: 0 to 3,650 m (1,700 to 3,650 m: Set [FAN MODE] to [HIGH ALTITUDE])							
Power supply							
100 - 240 V AC, 50/60 Hz							
Power consumption	ECO mode OFF	566 W (100 - 130 V)	542 W (100 - 130 V)	506 W (100 - 130 V)	566 W (100 - 130 V)	566 W (100 - 130 V)	
	ECO mode	542 W (200 - 240 V)	518 W (200 - 240 V)	482 W (200 - 240 V)	542 W (200 - 240 V)	482 W (200 - 240 V)	
	STANDBY (Link-up)	390 W (100 - 130 V) / 376 W (200 - 240 V)					
	STANDBY (Link-down)*11	0.24 W (100 - 130 V) / 0.30 W (200 - 240 V)					
Rated input current	6.2 A - 2.6 A	6.0 A - 2.5 A	5.6 A - 2.3 A	6.2 A - 2.6 A	5.6 A - 2.3 A	6.2 A - 2.6 A	
Dimensions (W × H × D)	499 × 164 × 406 mm (Net dimensions, not including protruding parts), 591 × 259 × 491 mm (Gross dimensions)						
Weight	10.2 kg (not including lens), 12.5 kg (Gross weight)						

\*1: Effective pixels are more than 99.99%. \*2: Refer to Lens Specifications. \*3: When attached with NP40ZL, NP41ZL, NP42ZL. \*4: When attached with NP30ZL, NP11FL, NP12ZL, NP13ZL, NP14ZL. \*5: Wattage when ECO mode is OFF. \*6: This is the light output value (lumens) when the [PRESET] when the mode is set to [HIGH-BRIGHT]. If any other mode is selected as the [PRESET] mode, the light output value may drop slightly. \*7: Compliance with ISO21118-2012. \*8: When attached with NP13ZL or NP41ZL and Eco mode OFF. \*9: If you are unable to view material via the HDMI DisplayPort and HDBaseT input, this does not necessarily mean the projector is not functioning properly. With the implementation of HDCP, there may be cases in which certain content is protected with HDCP and might not be displayed due to the decision/intention of the HDCP community. (Digital Content Protection, LLC). HDMI: Supports HDCP2.2/1.4, DisplayPort: Supports HDCP2.2/1.4, HDBaseT: Supports HDCP2.2/1.4. \*10: 35 to 40°C - "Forced ECO mode". \*11: Internal measured value. All wired network ports are connected and active.

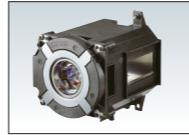
• These specifications and the product's design are subject to change without notice.

## Remote control

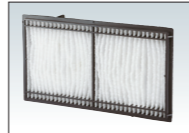


(included accessory)

## Options



Replacement lamp NP42LP



Replacement filter NP06FT

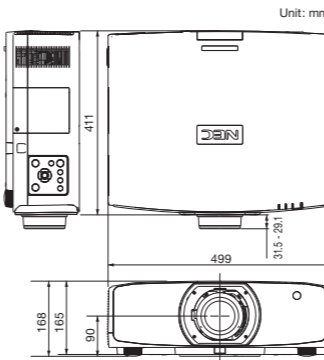
Cable Cover NP10CV



MultiPresenter Stick DS1-MP10RX\*

\* Make sure to choose the appropriate MultiPresenter Stick for the usage country or area by visiting the NEC-DS website. ([http://www.nec-display.com/ap/en\\_display/mp10rx/index.html](http://www.nec-display.com/ap/en_display/mp10rx/index.html))

## Cabinet dimensions



## Throwing distance and Screen size

NP-PA803U / NP-PA723U / NP-PA653U (WXGA) Unit: m										NP-PA853W / NP-PA703W (WXGA) Unit: m										NP-PA903X (XGA) Unit: m																																																																						
Screen Size (W × H)		Lens unit model name								Screen Size (W × H)		Lens unit model name								Screen Size (W × H)		Lens unit model name																																																																				
30"	40"	60"	80"	100"	120"	150"	200"	240"	300"	400"	500"	30"	40"	60"	80"	100"	120"	150"	200"	240"	300"	400"	500"	30"	40"	60"	80"	100"	120"	150"	200"	240"	300"	400"	500"																																																							
0.65 × 0.40	0.7	1.0-1.3	1.5-1.9	1.9-3.8	3.7-6.0	1.0-1.4	1.7-3.9	3.9-7.7	60" (1.59 × 0.80)	80" (1.72 × 1.01)	1.4	1.4-1.8	2.0-2.6	2.5-5.1	5.0-8.0	1.4-1.9	2.2-5.2	5.2-10.3	100" (2.15 × 1.35)	1.7	1.7-2.2	2.5-3.3	3.2-6.3	6.3-10.1	1.7-2.4	2.8-6.5	6.5-12.8	120" (2.99 × 1.62)	2.1	2.0-2.7	3.0-4.0	3.8-7.7	7.6-12.2	2.1-2.9	3.4-7.8	7.7-15.4	150" (3.23 × 2.02)	2.6	2.6-3.4	3.8-4.9	4.8-9.5	9.4-15.2	2.6-3.6	4.2-9.8	9.6-19.1	200" (4.31 × 2.68)	3.4	3.4-5.1	5.1-6.6	6.4-12.8	12.7-20.4	3.4-4.9	5.7-13.1	12.8-25.5	240" (5.17 × 3.23)	4.1	4.1-5.4	6.1-7.9	7.6-15.3	15.2-24.4	4.1-5.8	6.8-15.6	15.3-30.6	300" (6.46 × 4.04)	5.2	5.2-6.8	7.6-9.9	9.6-19.1	19.0-30.5	5.2-7.3	8.5-19.6	19.1-38.1	400" (8.62 × 5.39)	6.9	6.9-9.0	10.2-13.3	12.8-25.7	25.5-40.9	6.9-9.8	11.4-26.2	25.4-50.9	500" (10.77 × 6.73)	8.7	8.7-11.3	11.8-16.7	16.0-32.1	31.9-51.2	8.7-12.2	14.3-32.8	31.8-63.6

- Do not stare into the lens during use.
- The projector can be unplugged immediately after it is turned off. Parts of the projector become heated during operation. Use caution when picking up the projector immediately after it has been operating.

MultiPresenter, NaViSet, CARBON METER, SweetVision, TILEMATRIX and GEOMETRIC CORRECTION are trademarks or registered trademarks of NEC Display Solutions, Ltd. in Japan and other countries. The terms HDMI and HDMI High-Definition Multimedia Interface, and the HDMI Logo are trademarks or registered trademarks of HDMI Licensing LLC in the United States and other countries. HDBaseT and HDBaseT Alliance logo are trademarks of HDBaseT Alliance. DisplayPort Compliance Logo is a trademark of Video Electronics Standards Association in the United States and other countries. CRESTRON and CRESTRON ROOMVIEW are trademarks or registered trademarks of Crestron Electronics, Inc. in the United States and other countries. Windows is a registered trademark or trademark of Microsoft Corporation in the United States and / or other countries. Trademark P.J.Link is a trademark applied for trademark right in Japan, the United States of America and other countries and areas. Blu-ray is a trademark of the Blu-ray Disc Association. AMX is a trademark or registered trademark of AMX LLC in the United States and other countries. All other trademarks are the property of their respective owners. The images in this brochure are samples. All rights reserved. All specifications are subject to change without notice. February 2017

NEC Display Solutions, Ltd.

<http://www.nec-display.com/ap/>

Cat. No. WLPJ-1702-0011NF

Orchestrating a brighter world **NEC**

Professional projectors of high performance and brighter LCD models that are lightweight and compact  
Professional Installation Projector

**PA803U / PA723U / PA653U**  
**PA853W / PA703W / PA903X**



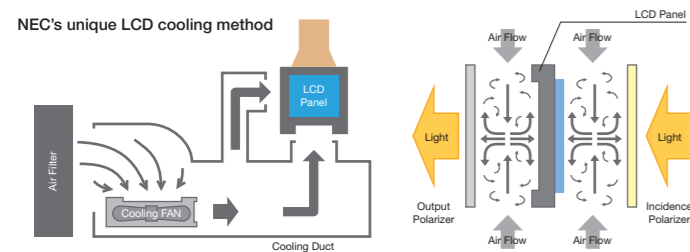
# Realize high brightness and efficient use in a compact and lightweight body and achieve high-resolution and high-quality images

## A High-efficiency Design with High-brightness Projection and Reduced Maintenance

### The Lightest and Most Compact WUXGA Projector Over 8000 ANSI lm (NP-PA803U)\*

A lightweight and compact WUXGA projector (NP-PA803U) of 10.2 kg, 33.23 liters\*\* and 8000 ANSI lm brightness with NEC's unique cooling system for the LCD panel (patented) and the lamp.

\* Not including lens, according to NEC-DS as of January 2017  
\*\* Not including protruding parts



### An Energy-saving Design with Standby Power Consumption

When the on-screen menu's standby mode is set to "NORMAL", power consumption in standby mode with power management on is 0.24 W (100 – 130 V) / 0.30 W (200 – 240 V) and 0.20 W (100 – 130 V) / 0.26 W (200 – 240 V) when the LAN is off.

### Reduce Maintenance and Expenses

When Eco mode is used, lamp replacement time is extended to a maximum of 5,000 hours\*. At the same time, the maximum usage time for the filter is 10,000 hours\*\*. This virtually maintenance-free filter reduces the frequency at which cleaning is required, thereby decreasing total cost of ownership.

\* This time is not guaranteed.  
\*\* Varies by projector installation conditions.



## A High-definition Design to Meet the Era of High-resolution Content and Devices

### NEC's Unique High-definition Functionality with the 4th Generation of "SweetVision" for 4K Content

"SweetVision" newly supports 4K 60 Hz input signals and has been upgraded to support HDR10 and REC2020 signal inputs. It offers a high definition image by raising the contrast in the boundary parts of an image by using the "Craik-O'Brien-Cornsweet effect".



### Supports High-definition Processing of Both Digital and Analogue Inputs

10-bit high-definition signal processing is possible with all digital and analogue inputs. An image can be projected with an excellent contrast of 1024 gradations and over 1 billion colours in 4K images.

### 4K Ready

The New PA series supports HDR10 and BT.2020 signals for various 4K content (including next generation "Ultra HD Blu-ray" and "4K TV broadcasting").

## Multiple Input Terminals for HDMI and DisplayPort and Input and Output Terminals for HDBaseT

### The First Projector Available Worldwide with Built-in HDBaseT (IN/OUT) Support (NP-PA803U)\*

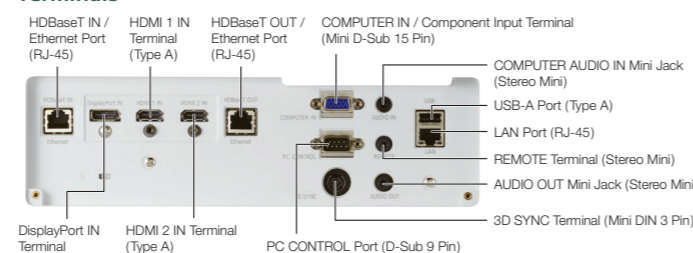
Simplify your installations with HDBaseT. The projector is optimized for video applications and supports uncompressed full HD digital video, audio, Ethernet, power and control signals. With only a single cable (up to 100 m) to run, infrastructure and labour costs are reduced, installations are significantly easier, and there is no cable clutter to manage. With uncompressed HD video support, images have never been more stunning. What's more, control signals are contained in the same cable.

\* Passed the examination of the testing agencies approved by the HDBaseT Alliance as of December 15th, 2016. Website of HDBaseT Alliance: <http://hdbaset.org/advanced-search>

### A Wide Selection of Digital Inputs such as HDMI and DisplayPort

Among the PA Series' wide selection of inputs are dual HDMI with HDCP and DisplayPort with HDCP for connecting to high-definition sources such as Blu-ray players, cable boxes, satellite receivers and personal computers.

#### Terminals



## Excellent Ease of Installation and Functionality in Various Uses and Applications

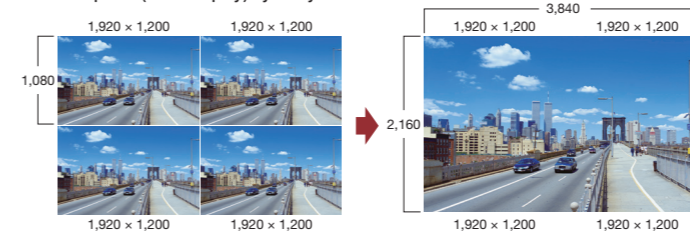
### Multi-screen Function

Multi-display capabilities and tiling technologies are integrated. The projector is also equipped with multiple digital input and HDBaseT output terminals that can connect multiple projectors in a digital daisy chain. These cutting-edge functions produce a beautiful high-resolution image, including a 4K high-resolution display using 4 projectors and various picture-in-picture and picture-by-picture configurations.

### Screen Splitter

NEC is committed to bringing the latest and greatest Innovations to projectors. Multi-display capabilities and TileMatrix technologies are integrated into these projectors by using the HDBaseT repeater function (IN/OUT). This processing is all done internally and therefore eliminates the additional hardware typically required to produce a beautiful 4K resolution image.

#### Screen Splitter (Multi-display) by Daisy Chain



### New Optional Lenses with Peripheral Motorized Focus Features and Advanced Dust-proof Construction

Eight types of lenses are available along with the new "NP40ZL", "NP41ZL" and "NP42ZL" as dust proof lenses with motorized zoom/focus and with a memory function. They correspond to screen sizes from 30 to 500 inches. A selection of wide zoom lenses with wide vertical and horizontal lens shift and control code emulation are available, guaranteeing hassle-free installation and replacement of existing installation projectors.

The "NP40ZL" and "NP41ZL" projectors are also equipped with peripheral motorized focus, and focus adjustment is possible in 2 stages by the centre and the periphery, which offers excellent image quality. Lenses can be mounted and removed with one touch.

\* No lens is mounted at the factory.

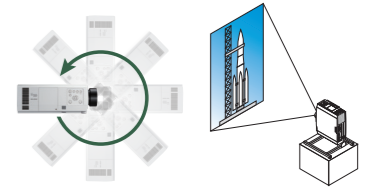
### Edge Blending

This function seamlessly blends multiple projected images to display a single high-resolution image.



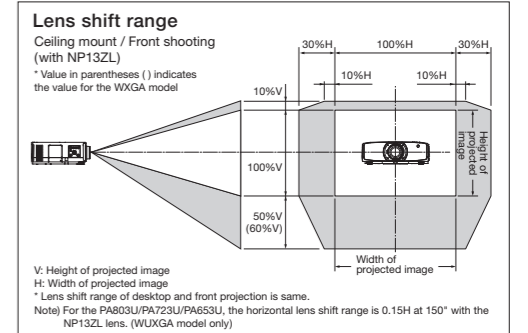
### Tilt-free and Portrait Installation Support

The projector can be rotated freely (360°) to point up or down depending on the installation requirements and can be rotated and installed on its side to create a portrait image.



### Optional Lens specifications

Model	NP11FL	NP30ZL	NP12ZL	NP13ZL	NP14ZL	NP40ZL	NP41ZL	NP42ZL
Lens Type	Fixed Short Throw Lens	Zoom Lens (Short Throw)	Zoom Lens	Zoom Lens	Zoom Lens	Zoom Lens	Zoom Lens	Zoom Lens
Zoom / Focus	Manual	Manual	Manual	Manual	Manual	Motorized	Motorized	Motorized
F# (Wide - Tele)	2.3	1.9 - 2.1	2.2 - 2.69	1.7 - 2.37	2.2 - 2.64	1.7 - 2.43	1.7 - 2.0	2.2 - 2.3
f (mm)	13.2	13.2 - 17.2	19.4 - 25.3	24.4 - 48.6	48.5 - 77.6	TBD	21.8 - 49.8	TBD
Throw ratio (WUXGA @ 100 inch)	0.81:1	0.79 - 1.04:1	1.16 - 1.52:1	1.46 - 2.95:1	2.90 - 4.68:1	0.79 - 1.10:1	1.30 - 3.02:1	2.99 - 5.98:1
Zoom Ratio	-	1.3	1.3	2.0	1.6	1.4	2.3	2.0
Screen Size (Performance guarantee range)	40 - 150 inch (60 - 150 inch)	40 - 500 inch (60 - 180 inch)	30 - 500 inch (40 - 200 inch)	40 - 500 inch (40 - 200 inch)	60 - 500 inch (60 - 200 inch)	50 - 500 inch (80 - 200 inch)	50 - 500 inch (80 - 200 inch)	50 - 500 inch (80 - 200 inch)
Light Output	NP-PA803U: 5,400 lm NP-PA723U: 4,800 lm	NP-PA853U: 7,800 lm NP-PA653U: 6,200 lm	NP-PA853W: 5,300 lm NP-PA703W: 6,700 lm	NP-PA903X: 8,000 lm NP-PA853W: 6,400 lm	NP-PA853W: 7,200 lm NP-PA703W: 5,000 lm	NP-PA853W: 8,000 lm NP-PA703W: 6,500 lm	NP-PA853W: 8,000 lm NP-PA703W: 6,500 lm	NP-PA853W: 7,200 lm NP-PA703W: 6,500 lm
Weight	approx. 1.2 kg	approx. 1.2 kg	approx. 1.2 kg	0.84 kg	approx. 1.0 kg	TBD	approx. 1.85 kg	TBD



## Other Useful Functions and Features

- Cornerstone
- Geometric correction to project an image on more non-standard surfaces
- Stacking correction to boost image brightness
- Centre lens design for easy setup
- Lens memory
- Carbon meter to check the amount of reduction of CO<sub>2</sub> in eco mode
- Seamless switch function for smoother screen changes when switching the signal
- Network control
  - NaViSet Administrator 2
  - PC control
  - Alert mail
  - CRESTRON ROOMVIEW
  - AMX BEACON
  - PJLink
  - HTTP server (projector adjustment)
- Wall colour correction
- PIN security / Control panel lock / Security bar / Security slot
- DICOM simulation



**PA803U**  
8,000 ANSI lumens WUXGA 10.2kg

**PA723U**  
7,200 ANSI lumens WUXGA 10.2kg

**PA653U**  
6,500 ANSI lumens WUXGA 10.2kg

**PA853W**  
8,500 ANSI lumens WXGA 10.2kg

**PA703W**  
7,000 ANSI lumens WXGA 10.2kg

**PA903X**  
9,000 ANSI lumens XGA 10.2kg