

celexonTM ■

User guide

celexon screen
UltraMobile Professional



Thank you for choosing a celexon screen. Please read this manual / user guide carefully before installation.

celexonTM ■
www.celexon.com

Safety warning

This product is intended for indoor use only. If used outdoors, it could be damaged.

Please read and follow the instructions carefully. Improper use will invalidate the warranty and the manufacturer does not take liability for any damage caused by mishandling.

Disclaimer

The information in this document is subject to change without prior notice. Any changes will be implemented in the following editions of this manual. The manufacturer does not guarantee accuracy of the information contained in this document.

Cleaning instructions

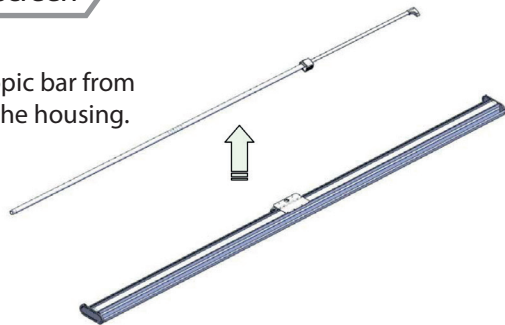
Never clean the screen with alcohol or other cleaning agents containing solvents. Use only a soft and clean cloth with a mild soapy solution. Avoid contact with pointed or sharp objects. These could damage the fabric.

In the box

1 x celexon screen UltraMobile Professional
1 x user guide

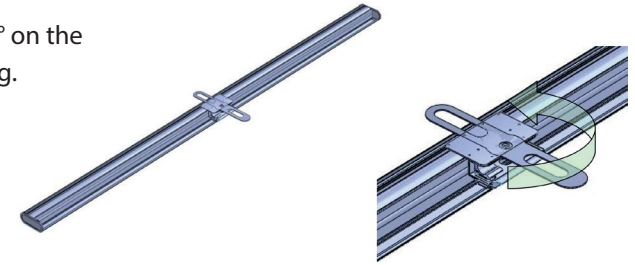
To set up the screen

- 1 Remove the telescopic bar from the underneath of the housing.

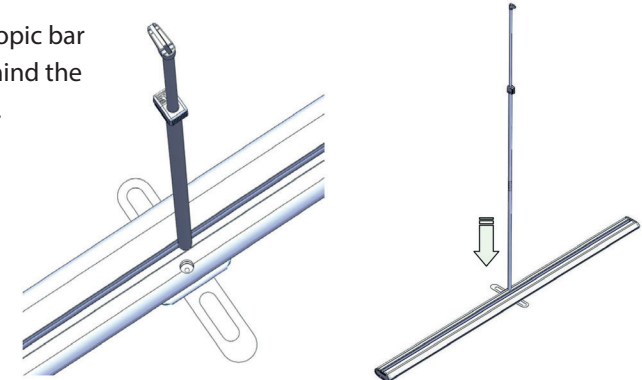


1

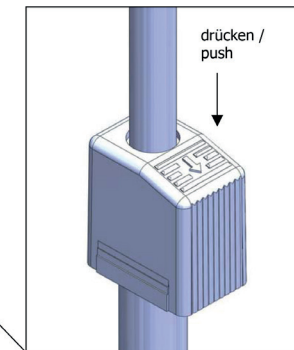
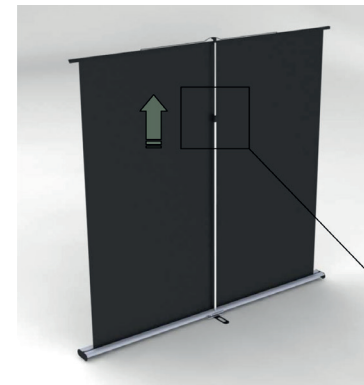
- 2 Rotate the feet by 90° on the bottom of the housing.



- 3 Insert the telescopic bar into the hole behind the projection fabric.



- 4 Pull the projection fabric out of its housing and hook it over the metal bracket at the top of the telescopic bar. Loosen the locking mechanism and adjust the telescopic bar to its desired height.



- 5 To dismantle, complete the above in reverse order.

Please note:

If the screen has not been used for a long time, it is possible that there is increased resistance when unrolling the fabric.

2