

### Smart ideas for the bigger picture.

celexon - your specialist  
for home cinema and AV solutions

### PRODUCT DESCRIPTION

The celexon Fixed-42100M is a trolley designed to hold 42" – 100" displays at a fixed height. It provides a load capacity of up to 120kg and its mobility makes it ideal for use in class room and meeting room environments. This high quality aluminium trolley manoeuvres easily and safely with its heavy duty castors, two of which can be locked to prevent the trolley from being inadvertently moved.

### KEY FEATURES

- Supports the following VESA standards:  
Horizontal up to 800mm (200, 280, 300, 400, 440, 580, 600, 684, 710, 730, 754, 800)  
Vertical up to 600mm
- Colour: RAL9006 – white aluminium
- Floor to top of display trolley: 1560mm
- Suitable for 42" – 100" displays
- Max load: 120kg



Laprack



Camrack



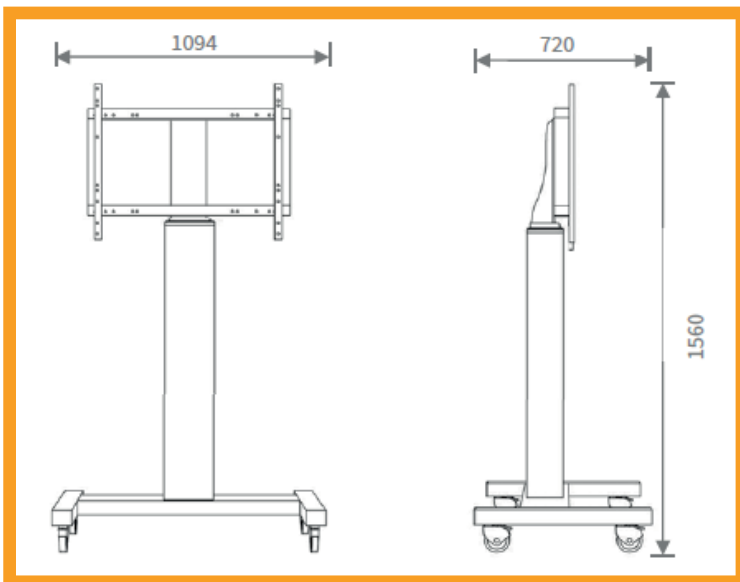
Frontplate

### TECHNICAL DATA

Product	Outer measurements (mm) H x W x D	Net weight (kg)	Supported VESA standards	Floor to top of display trolley	EAN
celexon FIXED-42100M	1560 x 1094 x 720mm	51	Horizontal up to 800mm (200, 280, 300, 400, 440, 580, 600, 684, 710, 730, 754, 800) Vertical up to 600mm	1560mm	4260094736667

The dimensions provided are mean values of the production units. Very slight deviations may be possible. Due to continuous technical improvements, we reserve the right to change design and specifications without prior notice.

### TECHNICAL DRAWING



Received from your celexon reseller:

