

### Smart ideas for the bigger picture.

celexon - your specialist  
for home cinema and AV solutions

### PRODUCT DESCRIPTION

The celexon Fixed-42100P is a free standing, fixed height stand for 42" – 100" displays. It provides a load capacity of up to 120kg and is ideal for use with POI / POS displays. This high quality aluminium stand has a fixed height of 150cm from the floor to the top of the display stand. The stand can be placed on any flat surface in the room or, if required, it can be fixed to the floor.

### KEY FEATURES

- Supports the following VESA standards:
  - Vertical up to 600mm
  - Horizontal up to 800mm (200, 280, 300, 400, 440, 580, 600, 684, 710, 730, 754, 800)
- Colour: RAL9006 – white aluminium
- Floor to top of display stand: 1495mm
- Suitable for 42" – 100" displays
- Max load: 120kg



Laprack



Camrack



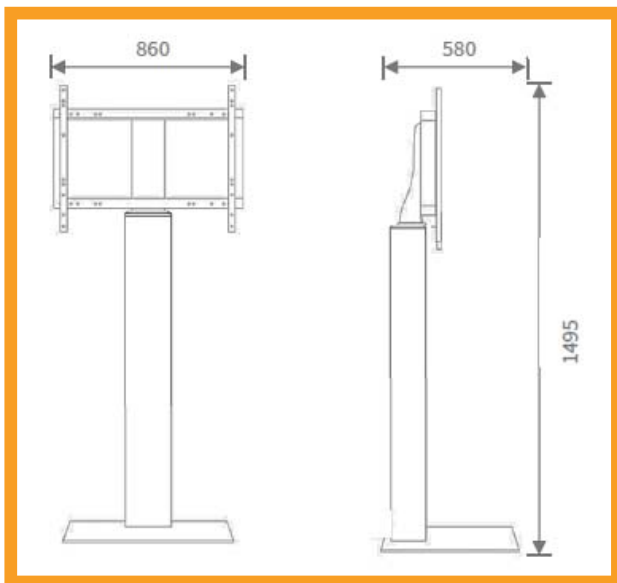
Frontplate

### TECHNICAL DATA

Product	Outer measurements (mm) H x W x D	Net weight (kg)	Supported VESA standards	Floor to top of display stand	EAN
celexon FIXED-42100P	1495 x 860 x 580mm	48	Horizontal up to 800mm (200, 280, 300, 400, 440, 580, 600, 684, 710, 730, 754, 800) Vertical up to 600mm	1495mm	4260094736643

The dimensions provided are mean values of the production units. Very slight deviations may be possible. Due to continuous technical improvements, we reserve the right to change design and specifications without prior notice.

### TECHNICAL DRAWING



Received from your celexon reseller:

