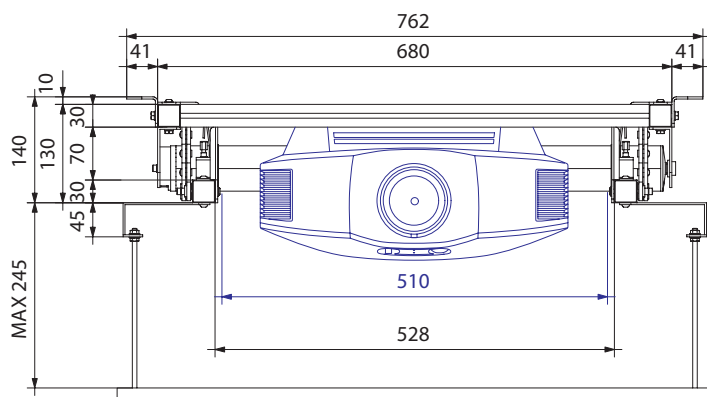


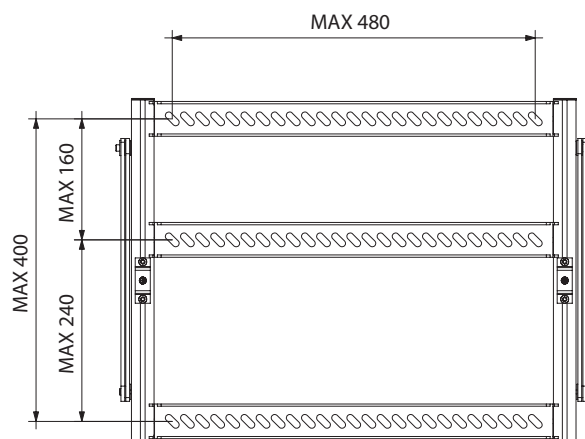
### TECHNICAL DATA\*

Power supply:	220-230V - 50HZ
Max power consumption:	184 W
Motor speed:	17 Rpm
Motor performance:	20 Nm
Dimensions „lift closed“:	680 x 605 x 140 mm (WxHxD)
Dimensions „lift open“ :	680 x 605 x 540 mm (WxHxD)
Mounting surface dimensions:	480 x 400 mm (WxD)
Max. dimension projector:	510 x 510 mm (WxD)
Max. load:	30 KG
Net weight of lift:	11 KG

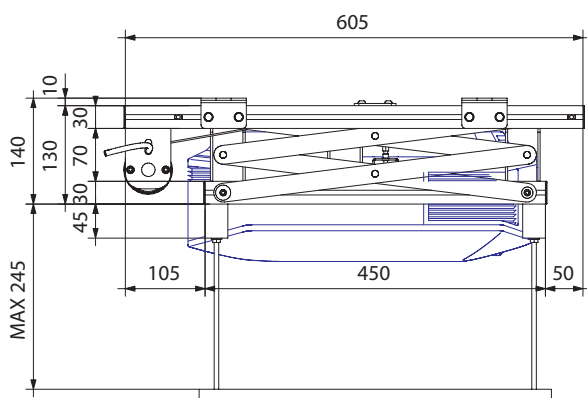
### FRONTAL VIEW "LIFT CLOSED"\*



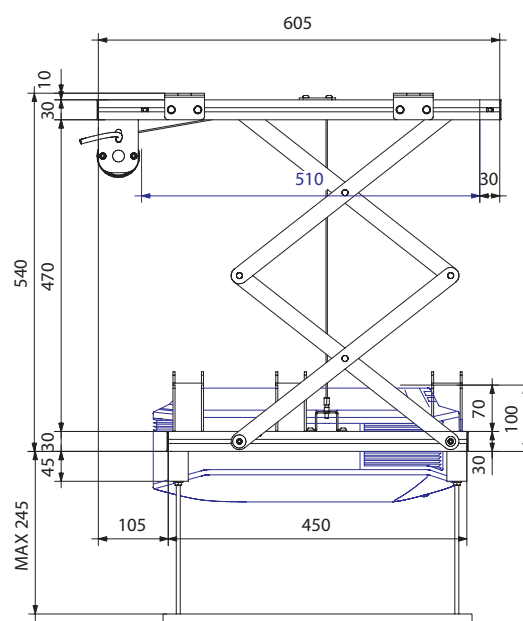
### MOUNTING SURFACE\*



### SIDE VIEW "LIFT CLOSED"\*



### SIDE VIEW "LIFT OPEN"\*



\* All dimensions provided are in mm. We do not take responsibility for any mistakes or printing errors. Due to continuous technical improvements, we reserve the right to change design and specifications without prior notice.