

celexon™

Installation guide

celexon screen
Mobile Professional Plus



- Excellent image quality
- Quick and easy set up
- Great mobility

celexon™
www.celexon.com

Thank you for purchasing a celexon product. Please read the installation instructions carefully before using the screen.

Thank you for purchasing a celexon product. Please read the installation instructions carefully before using the screen.

Advice

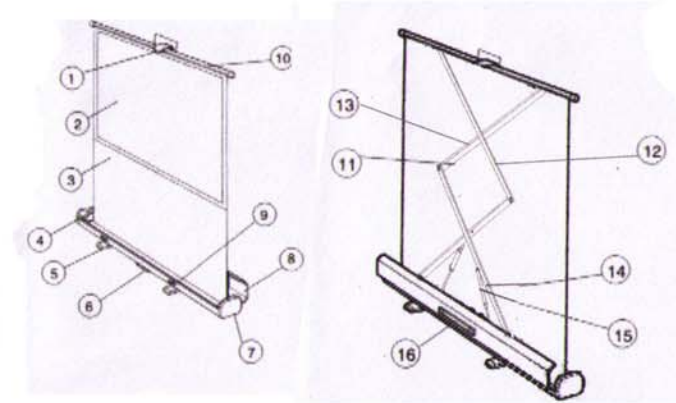
1. Do not touch the fabric when extending and retracting the screen
2. Do not place the screen on an uneven or unstable surface. Be cautious when children are in the room
3. Do not use the screen for anything outside of its intended purpose

Care instructions

1. Do not use or store the screen in direct sunlight
2. Keep the fabric free from dirt and dust particles as this may impact the projection result. If the fabric requires cleaning, use lukewarm soap water.
3. Do not use any acidic cleaning products on the fabric – this could damage the fabric permanently.

Parts list

1. Pull handle
2. Screen fabric
3. Black drop (bottom)
4. End cap (left)
5. Rotatable foot
6. Housing
7. End cap (right)
8. Housing lid
9. Latch
10. Tension bar
11. Long joint
12. Upper hinge joint
13. Short joint
14. Lower hinge joint
15. Pneumatic pressure spring
16. Carrying handle

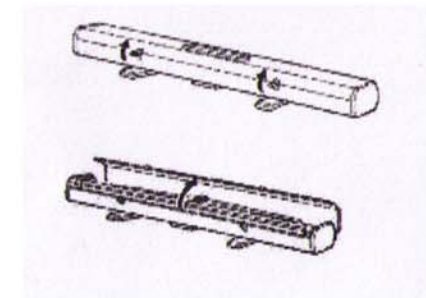


Operating instructions

1. Turn the feet so that they are at a right angle to the housing.



2. Open the latches and open the housing lid. Please note: it is easier to open the latches when you slightly push down the lid in the middle



3. Pull the screen up to the top using the pull handle ensuring that the tension bar is level.

4. To retract the screen, simply push the handle directly downwards until the screen is fully retracted back into the housing. Close the lid and lock the latches.