

## EC declaration of conformity,

Manufacturer: celexon Germany GmbH & Co. KG  
Adress: Gutenbergstraße 2, 48282 Emsdetten, DE

hereby declares that the following product

Product name: celexon screen electric professional

Manufacturer: celexon Germany GmbH & Co. KG,  
48282 Emsdetten, DE

complies with the following standards:

**EN 300 220-3 V1.1.1: 2000**  
**EN 300 220-1 V1.2.1: 2000**  
**EN 301 489-3 V1.4.1: 2002**  
**EN 301 489-1 V1.5.1: 2004**  
**EN 50371: 2002**  
**EN 60335-2-56: 2003**  
**EN 60335-1: 2002 + A11: 2004 + A1: 2004**  
**EN 50366: 2003**

### Notes:

The tests were carried out in normal mode and refer to the tested device under the specified tests. This certificate applies only to the devices tested.

Emsdetten, den 10.10.2013



Christoph Hertz  
Managing Director

**celexon**<sup>TM</sup>

## Installation Guide

celexon screen electric professional



Please read the installation instructions carefully  
before using the screen

Please keep for future reference



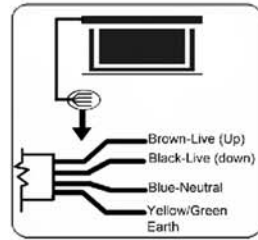
**celexon**<sup>TM</sup>  
www.celexon.com



## Electrical spec

Voltage: 100V ~ 120V, 60Hz  
or 220V ~ 240V, 50Hz

Power consumption: 130W (max),  
0.4W (standby)



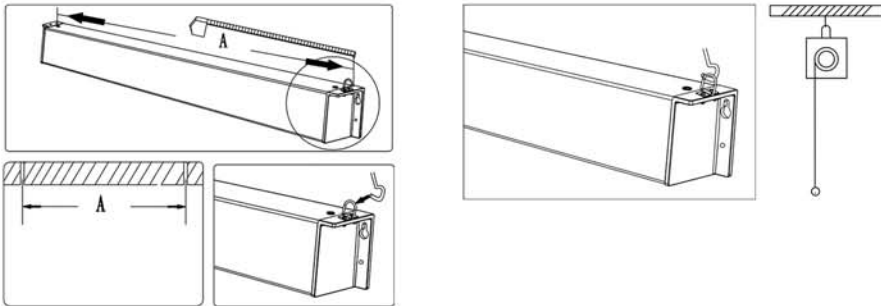
## Installation

Install the screen so that it is central for most viewers. When fully extended, please ensure that the lower third is at about eye level with the intended viewer. The screen can be wall or ceiling mounted by screws or it can be fixed via hanging hooks from the ceiling (hooks are supplied).

You will be required to purchase screws/wall plugs suitable for your specific wall/ceiling material. For mounting on a wooden surface, we suggest to use 4x50mm wood screws, for mounting on a brick/concrete surface, we suggest to use 6x50mm screws/wall plugs.

### Ceiling installation (via hanging hooks):

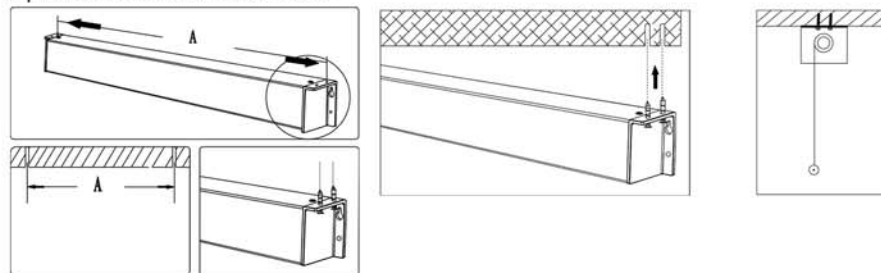
Attach the hooks to both end caps and measure the distance between the hooks. Mark out the positions on the ceiling and drill holes for the hooks ensuring that hooks and holes are aligned. Hang up the screen.



### Ceiling installation (screwed):

Measure the distance of the holes on the end caps (2 on each side) and mark out same distance on the ceiling. Ensure that they are aligned and drill holes. Use suitable screws with wall plugs and screw the screen to the ceiling.

PLEASE NOTE: do not over tighten the screws. If cracks appear in the end caps, they must be replaced. Do not use the screen.

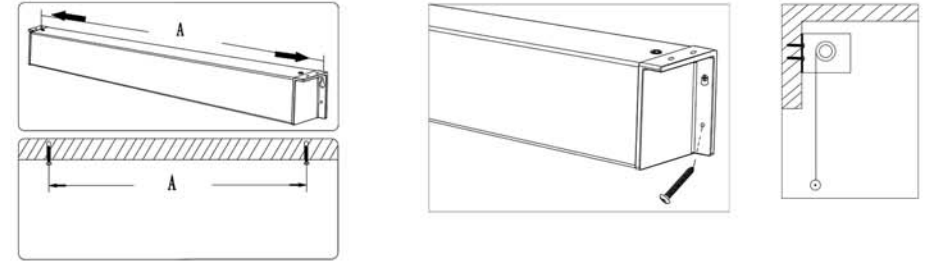


## Installation

### Wall installation (unscrew hooks if desired):

Measure the distance of the holes on the end caps and mark out on the wall. Ensure that they are aligned. Prepare suitable screws with wall plugs for your wall. Screw the two top screws into the wall up to 1cm and hang the screen on each side in the upper hole. Check with a spirit level that it is level. Tighten the top and bottom screws.

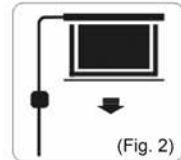
PLEASE NOTE: do not over tighten the screws. If cracks appear in the end caps, they must be replaced. Do not use the screen.



## Operating Instructions

### Operating the screen via wall switch (see fig 1)

Plug power cable into socket (ensure correct voltage). Position the cable so that it does not present a hazard or comes into contact with any hot surface. You may require an extension lead. The wall switch must be mounted so that the cable outlet is at the bottom.

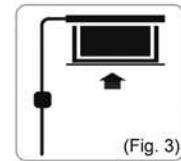


### To lower the screen (see fig 2)

Press the down arrow button. The screen will come down and stop automatically at its default stop position.

### To retract the screen (see fig 3)

Press the up arrow button. The screen will automatically retract into its housing and stop at the upper default stop position.



### To stop the screen

Press the stop button (between the arrows) and the screen will automatically stop.



### Wireless operation (infra red) (see fig 4)

#### To lower the screen

Press the lower button on the remote control and the screen will automatically lower itself and stop at the default stop position.

#### To retract the screen

Press the top button on the remote control and the screen will automatically retract into its housing and stop when fully retracted.

#### To stop the screen manually

Press the middle button on the remote control and the screen will stop.

It is possible to adjust the stop positions. Please contact your dealer or email [info@celexon.co.uk](mailto:info@celexon.co.uk) for written instructions.