

celexon™

Installation guide

celexon screen manual professional



Please read the installation instructions carefully
before using the screen.

Please keep for future reference.

celexon™
www.celexon.com



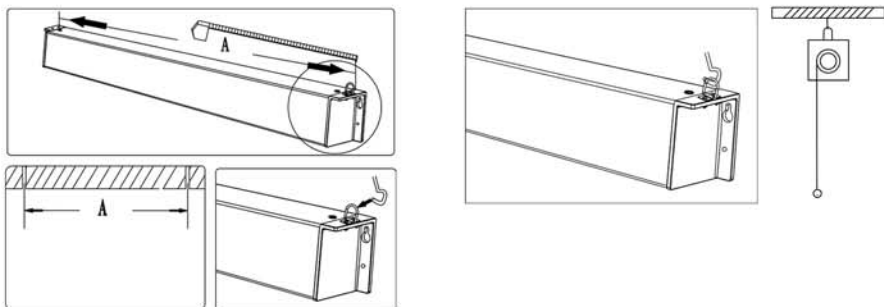
Installation

Install the screen so that it is central for most viewers. When fully extended, please ensure that the lower third is at about eye level with the intended viewer. The screen can be wall or ceiling mounted by screws or it can be fixed via hanging hooks from the ceiling (hooks are supplied).

You will be required to purchase screws/hooks suitable for your specific wall/ceiling material. For mounting on a wooden surface, we suggest to use \varnothing 4x50mm wood screws, for mounting on a brick/concrete surface, we suggest to use \varnothing 6x50mm screws/wall plugs.

Ceiling installation (via hanging hooks):

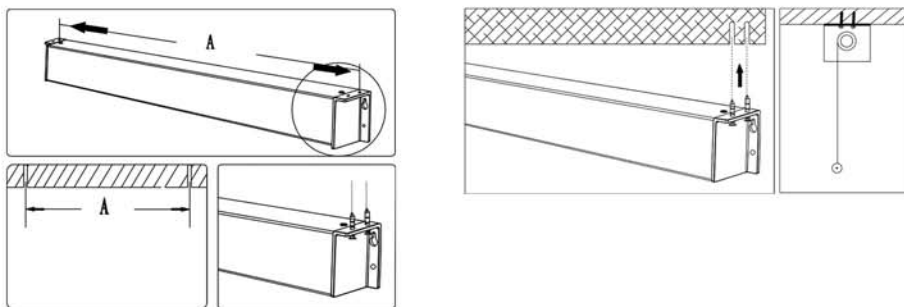
Attach the hooks to both end caps and measure the distance between the hooks. Mark out the positions on the ceiling and drill holes for the hooks ensuring that hooks and holes are aligned. Hang up the screen.



Ceiling installation (screwed):

Measure the distance of the holes on the end caps (2 on each side) and mark out same distance on the ceiling. Ensure that they are aligned and drill holes. Use suitable screws with wall plugs and screw the screen to the ceiling.

PLEASE NOTE: do not over tighten the screws. If cracks appear in the end caps, they must be replaced. Do not use the screen.

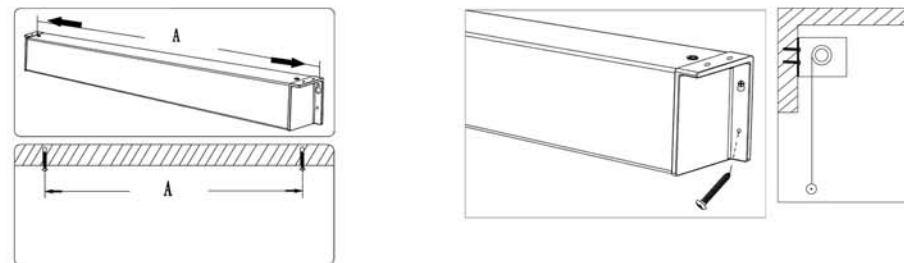


Installation

Wall installation (unscrew hooks if desired):

Measure the distance of the holes on the end caps and mark out on the wall. Ensure that they are aligned. Prepare suitable screws with wall plugs for your wall. Screw the two top screws into the wall up to 1cm and hang the screen on each side in the upper hole. Check with a spirit level that it is level. Tighten the top and bottom screws.

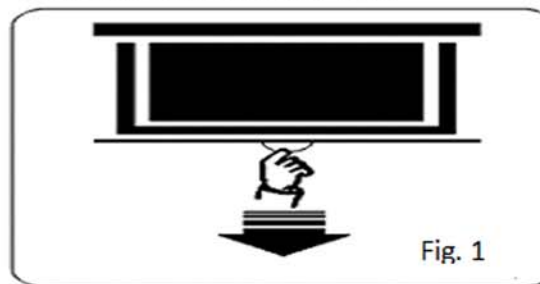
PLEASE NOTE: do not over tighten the screws. If cracks appear in the end caps, they must be replaced. Do not use the screen.



Operating instructions

To lower the screen:

Pull the fabric down to the desired position using the handle on the weighted bar (fig 1). Wait for about 3 seconds and slowly release the handle until the screen has stopped. The screen can be stopped approx. every 10cm.



To retract the screen:

Pull the fabric down - approx. 3-5cm to disengage the locking mechanism (fig 2). Once the locking mechanism has been disengaged, the screen can be retracted into the housing.

