



# TeamConnect Ceiling M Plus

## Ceiling microphone array



Dante®

With a coverage of up to 60 m<sup>2</sup> (645ft<sup>2</sup>), our TeamConnect Ceiling M Plus ceiling microphone is the best choice for everyday medium and large collaboration spaces that need flexibility and scalability.

The TCC M Plus offers a range of new features such as PartnerLink and DeviceHub that make it the most straightforward ceiling microphone to set up, commission and use. TeamConnect Ceiling M Plus delivers perfect audio through enhanced beamforming technology, ensuring seamless sound every time, whilst also offering a new configurable standby mode for predictable power management to support sustainability goals and enterprise operational requirements.

Brand agnostic integration, multiple installation options and a sleek design in both a circle and square designs of course still remain.

### FEATURES

- Centralized Device Management (DeviceHub)
- Browser-Based Setup and Control (LUI)
- Seamless integration with trusted partner solutions (Partnerlink)
- Patented automatic dynamic beamforming
- Reliable voice pickup up to 4.3 m across spaces up to 60 m<sup>2</sup>
- Built with 15 precision German-engineered capsules for accurate voice capture
- Reduces background noise for clearer speech intelligibility
- Energy-Saving Standby Mode
- TruVoiceLift – Natural In-Room Voice Lifting
- Automatic Speaker-Position detection for Camera Tracking
- Multiple connection options (Single Cable, Split Mode, Daisy-Chain)

### DELIVERY INCLUDES

TCC M Plus F-W (Art. no. 700507)

TCC M Plus F-B (Art. no. 700508)

Ceiling Mic Flush Mount Set

- Microphone
- Front plate
- Flush Mount kit
- Phoenix connector
- Mounting rope
- Suspension kit
- 8x M3x6 fillister head screws

TCC M Plus CT-W (Art. no. 700519)

TCC M Plus CT-W 2FT (Art. no. 700520)

Ceiling Mic Flush Mount Set (Ceiling Tile)

- Microphone
- Ceiling Tile mounting plate
- Phoenix connector
- Mounting rope
- Suspension kit

TCC M Plus S-W (Art. no. 700509)

TCC M Plus S-B (Art. no. 700510)

Ceiling Mic Housing Kit

- Microphone
- Front plate
- Design housing
- Chicago plenum connection box cover
- Phoenix connector
- Mounting rope
- Suspension kit
- 8x M3x6 fillister head screws



# TeamConnect Ceiling M Plus

## Ceiling microphone array

### SPECIFICATIONS

Product properties	
Dimensions (Ø x H)	407 x 46 mm (16 x 1.8") Ceiling Tile: 590,8 mm x 590,8 mm x 45,8 mm Ceiling Tile 2ft: 606,5 mm x 606,5 mm x 45,8 mm
Weight	max. 4,9 kg (10.8 lbs) Ceiling Tile: 4,5 kg (9.9 lbs) Ceiling Tile 2ft: 4,6 kg (10.1 lbs)
Audio Output	1x 3-pin terminal (fits Phoenix contact MCVW 1.5-3-ST-3.81) 1x Digital Network AoIP (RJ-45)
Ethernet / Control	1 x RJ-45 Ethernet Port for PoE power supply and data/control communication
Supply voltage	PoE IEEE 802.3af Class 3 or PoE IEEE 802.3at / Type 2 / Class 4 (when cascaded)
Power consumption	approx. 8 W
Safety certification	Tested according to UL 2043

### Acoustic properties

Transducer principle	Pre-polarized condenser microphone
AF frequency response	100 Hz - 16.000 Hz
Sensitivity	2 dBV/Pa (1 kHz)
Signal-to-noise ratio	82 dB (A)
Equivalent noise level	12 dB (A)
Number of microphone capsules	15
Pick-up pattern	Beam Pattern
Max. sound pressure level	98 dB SPL
Dynamic range	86 dB (A)

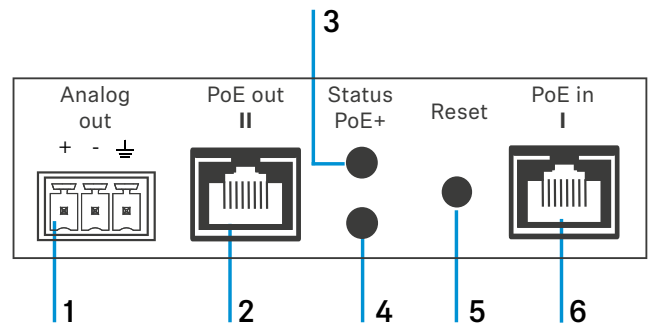
### Ambient conditions

Temperature	Operation: 0 - 40°C (32 - 104 °F) Storage: -10 - 60°C (14 - 140 °F)
Relative air humidity	20 - 95 %, non-condensing

### ACCESSORIES

Article	Description	Art. no.
TCC M SK	Ceiling Mic M Suspension Kit 3x Ceiling installation threads 3x 16.4 ft/ 5m length steel cables 3x Ceiling housing threads	700237
TCC M SFP-W	Ceiling Mic Spare Front Plate white	700235
TCC M SFP-B	Ceiling Mic Spare Front Plate black	700236
TCC M H-W	Ceiling Mic Housing white	700238
TCC M H-B	Ceiling Mic Housing black	700239
TCCM CT-FP-W	TCCM square front plate 60 cm	700515
TCCM CT-FP-W 2FT	TCCM square front plate 2ft	700156
TCC M SFK	Flush Mount Set	700305
TCC PC	Cable duct cover	700676

### CONNECTIONS AND OPERATING ELEMENTS



<b>1 Analog OUT</b>	3-pin terminal for analog audio out
<b>2 PoE OUT II</b>	Daisy Chaining
<b>3 Daisy Chain Status</b>	Status LED
<b>4 PoE Status</b>	PoE+ LED
<b>5 Reset</b>	Factory reset switch
<b>6 PoE IN I/CTRL</b>	PoE / Control



# TeamConnect Ceiling M Plus

## Ceiling microphone array

### INSTALLATION VARIANTS



#### Surface Mounted

mounted directly below the ceiling

TCC M Plus S is used to surface mount or suspend the TeamConnect Ceiling M Plus. It comes with a black or white TeamConnect Ceiling M Plus and matching housing.



#### Suspended

suspended from the ceiling

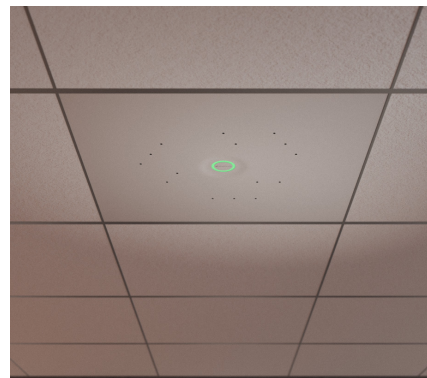
The TCC M SK Ceiling Mic Suspension kit is for use when installing the TeamConnect Ceiling M Plus in high-ceilinged rooms. It consists of three 16.4 ft (5m) steel cables that can be adjusted to fit the required installation height.



#### Flush Mounted

installed flush in a grid ceiling

The TCC M Plus F Flush Mount Kit is used to install the TeamConnect Ceiling M Plus flush to the ceiling. It comes with a TeamConnect Ceiling M Plus and flush mount accessories.



#### Ceiling Tile

Installed flush with mounting plate in a grid ceiling

The TCC M Plus CT ceiling installation set is used for installation in suspended grid ceilings. It is supplied with a Team Connect Ceiling M Plus and a square front plate (in a 2-foot or 60 cm version).



# TeamConnect Ceiling M Plus

## Ceiling microphone array

### PORT-INFORMATION

#### Inbound Connections (relevant for firewall configuration)

Port	Protocol	Interface	Purpose
80	TCP	Control	HTTP redirect to HTTPS
443	TCP	Control/AoIP	Local Web UI, SSCv2 API, device management, audio routing and control
5353	UDP	Control/AoIP	mDNS device discovery

#### Required Outbound Connections (required for cloud services)

Port	Protocol	Interface	Purpose
53	UDP	Control/AoIP	DNS name resolution
67	UDP	Control/AoIP	Automatic IP configuration (DHCP)
123	UDP	Control	NTP time synchronization
443	TCP	Control	Firmware updates, cloud communication, certificate validation and secure device management

#### PartnerLink (Q-SYS Mode) (required outbound connections)

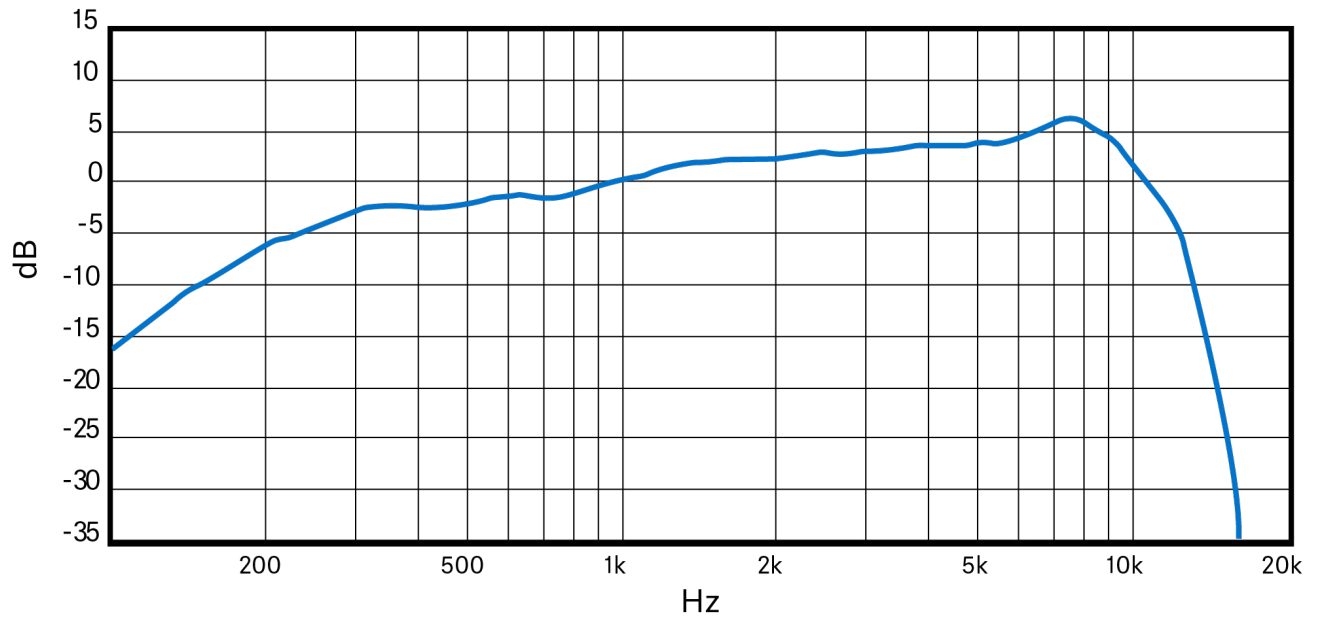
Port	Protocol	Interface	Purpose
2467	UDP	Control	Device Discovery
5004	UDP	AoIP	AES67 Multicast Audio
319-320	UDP	AoIP	PTP



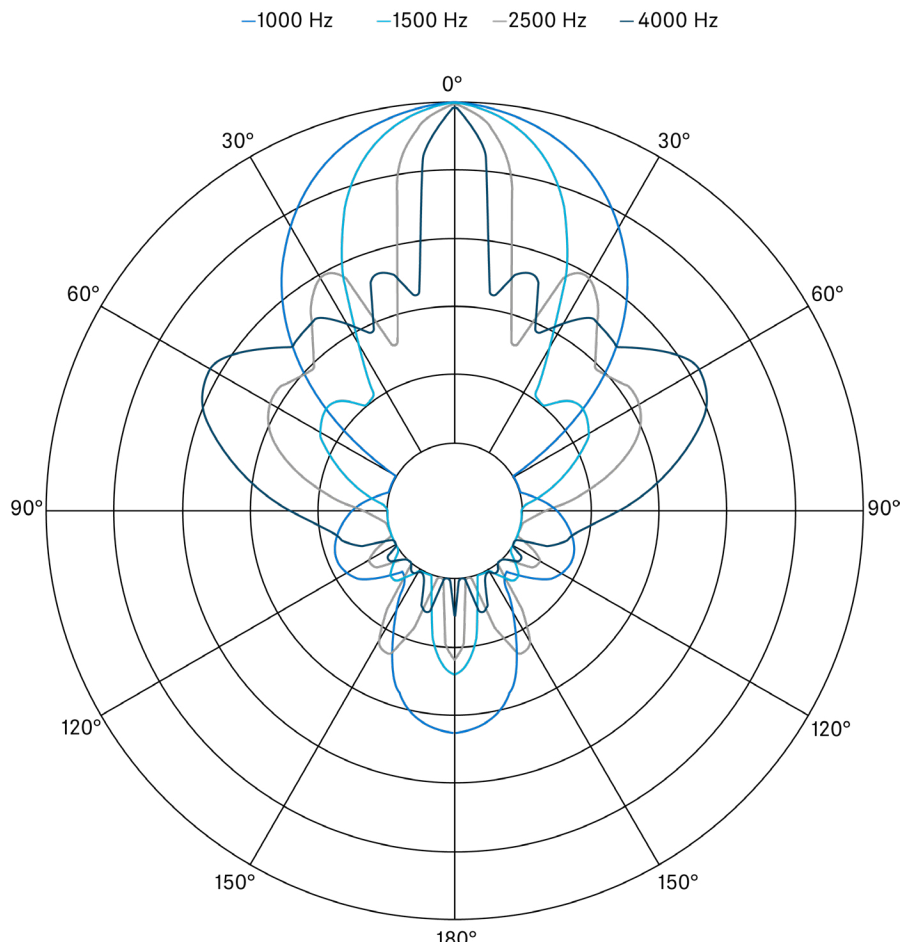
# TeamConnect Ceiling M Plus

## Ceiling microphone array

### FREQUENCY RESPONSE



### POLAR PATTERN



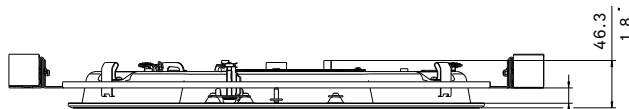
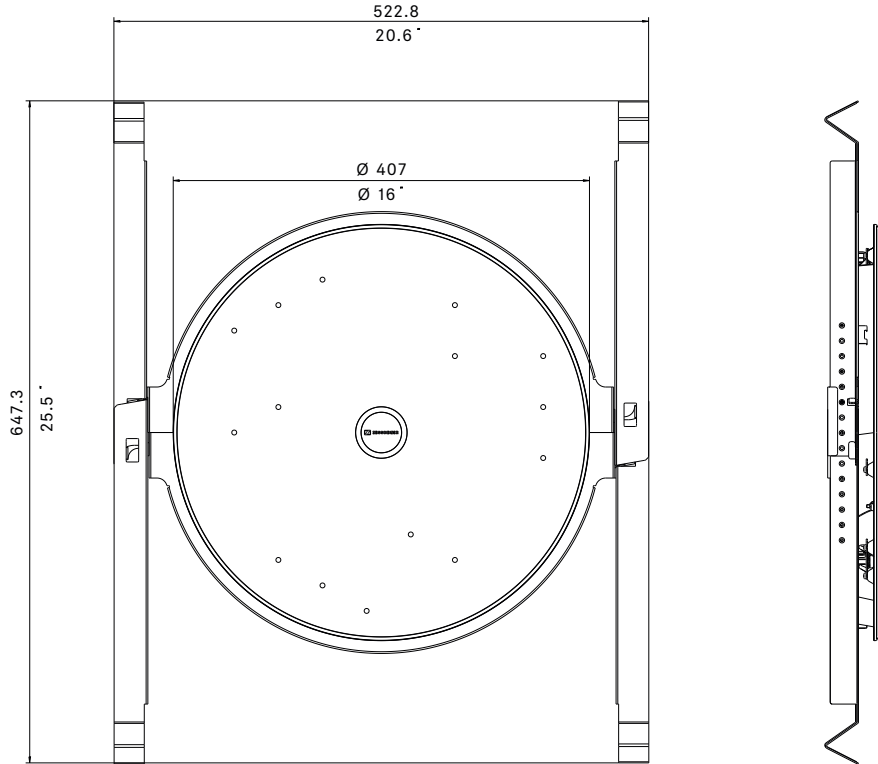


# TeamConnect Ceiling M Plus

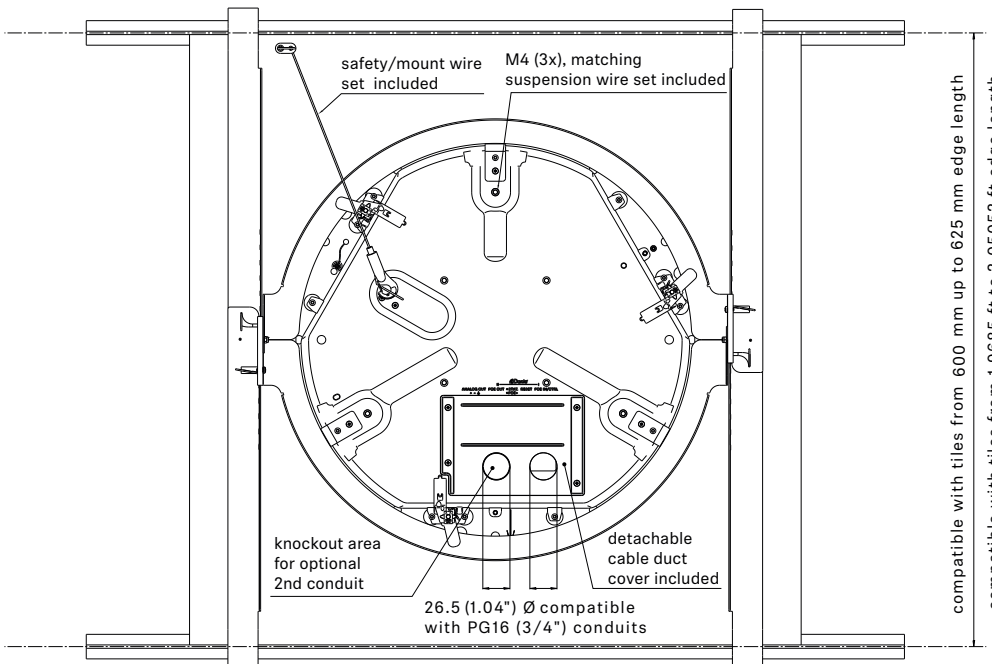
## Ceiling microphone array

### DIMENSIONS

#### Flush Mounted



compatible with tile thickness from 12 mm (0.47") to 23 mm (0.9")



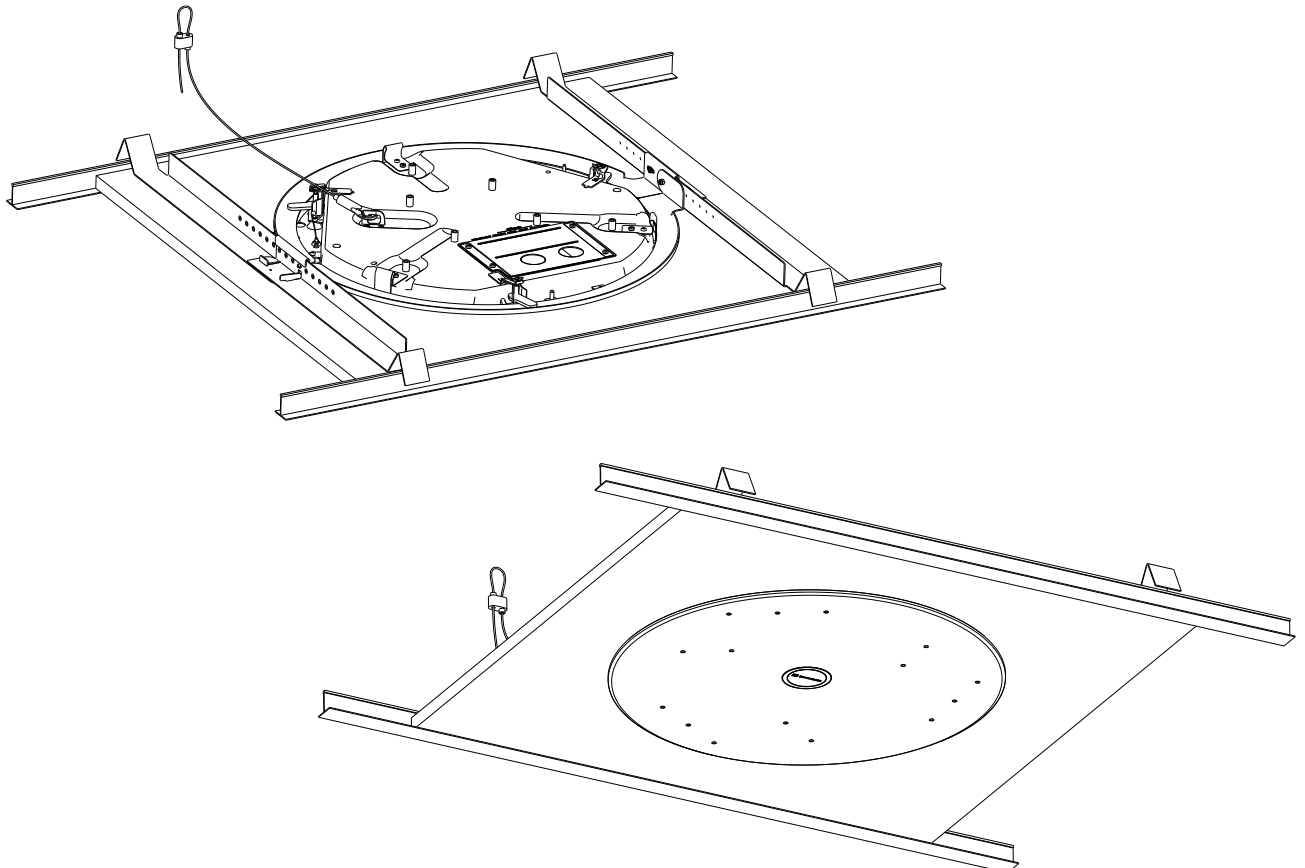
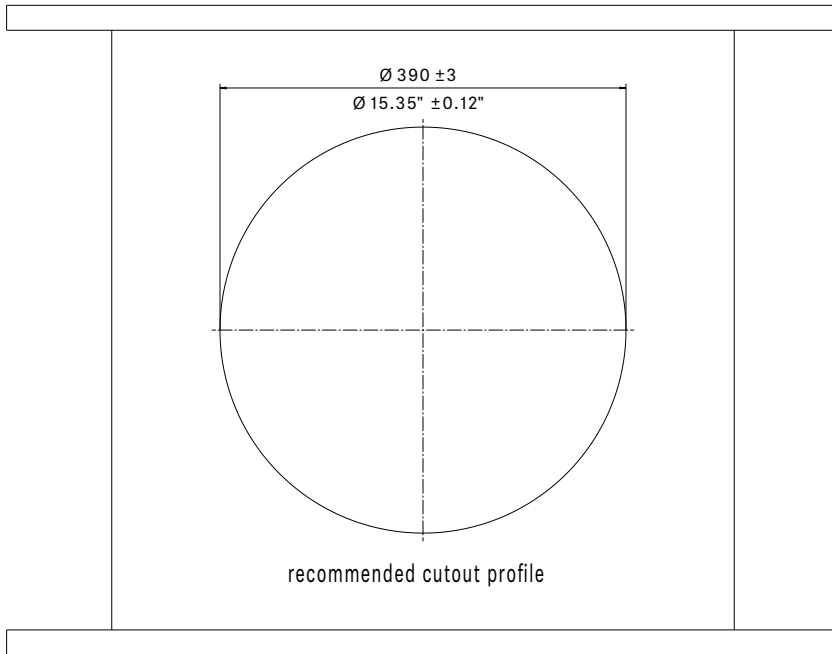


# TeamConnect Ceiling M Plus

## Ceiling microphone array

### DIMENSIONS

#### Flush Mounted



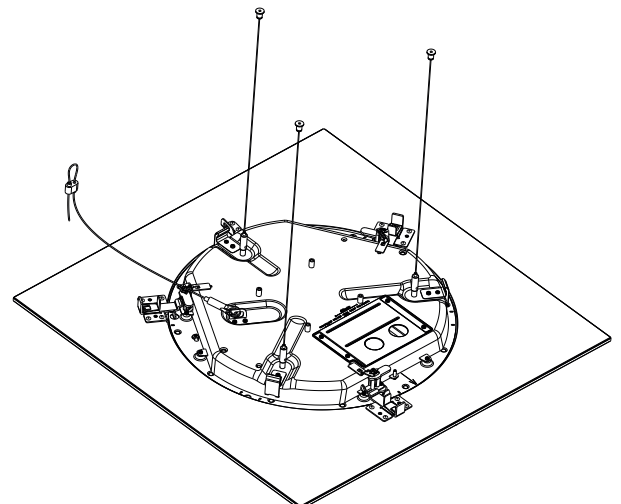
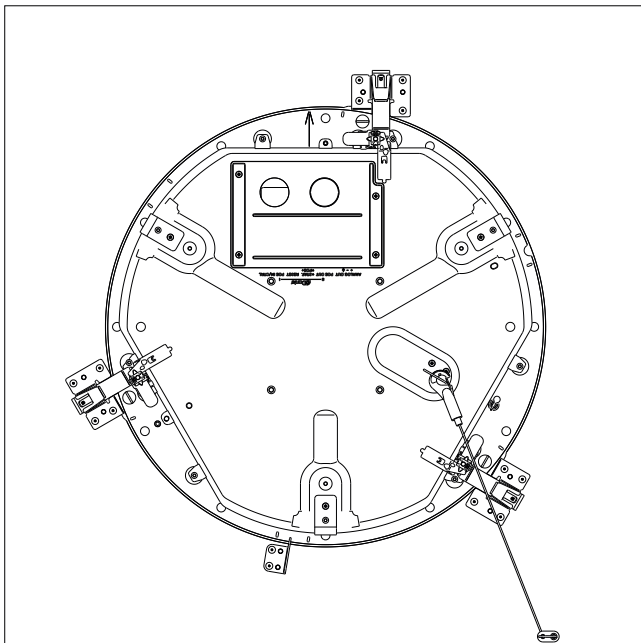
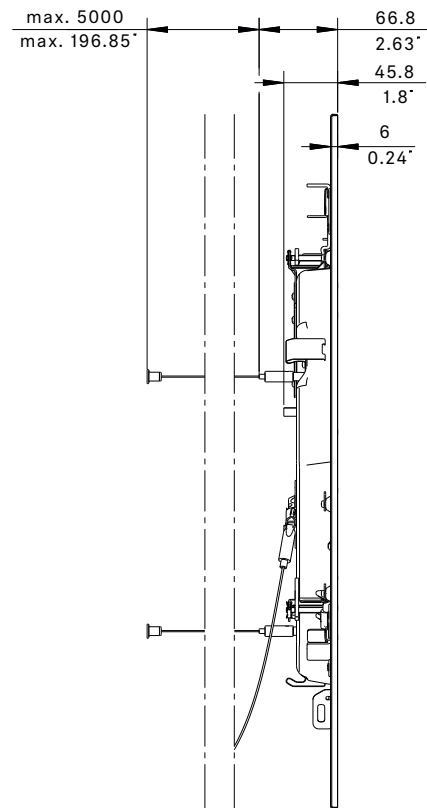
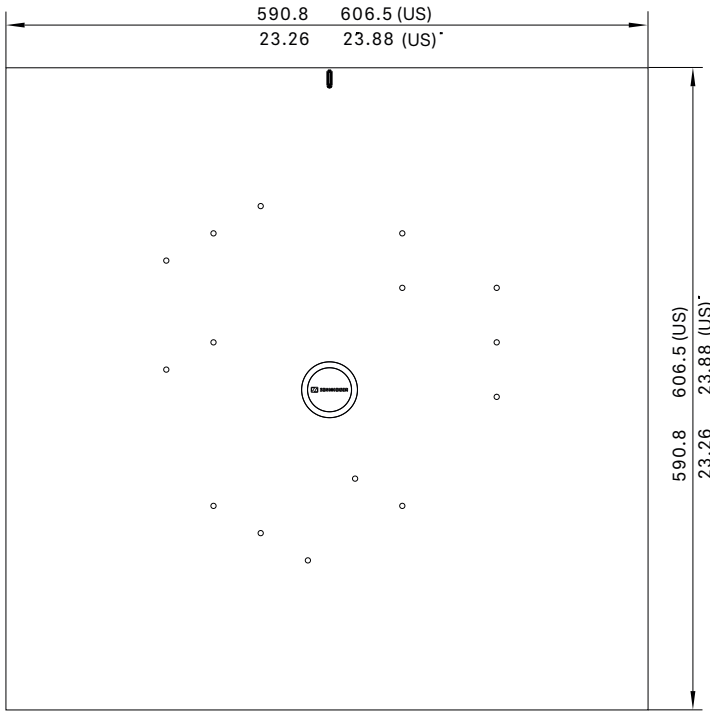


# TeamConnect Ceiling M Plus

## Ceiling microphone array

### DIMENSIONS

#### Ceiling Tile





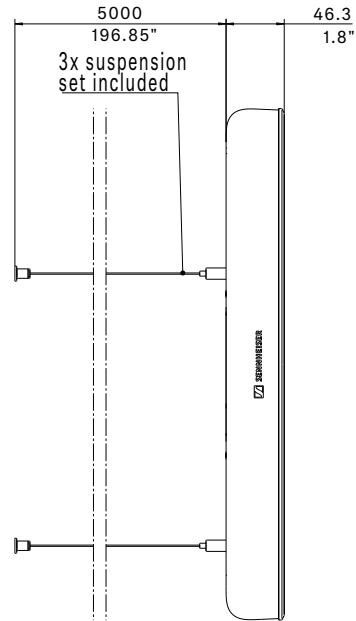
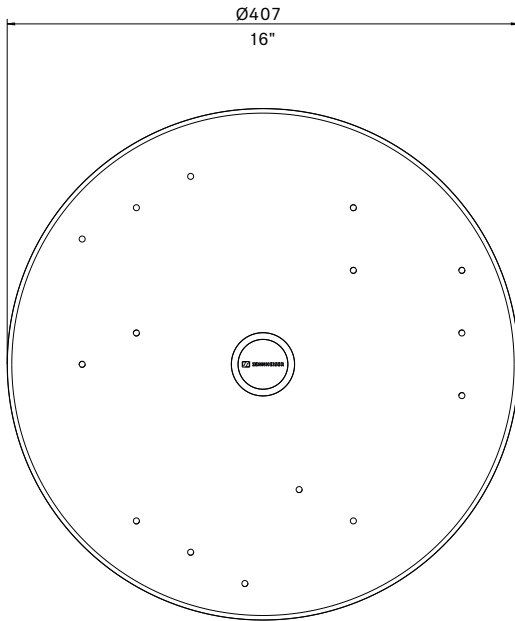


# TeamConnect Ceiling M Plus

## Ceiling microphone array

### DIMENSIONS

#### Suspended



view from below, hole pattern, suspended mount

