

StarBoard

INTERACTIVE FLAT PANEL DISPLAY YL7X EDLA



Android 14



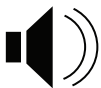
Google EDLA Certified



AI integration



Acoustics



20Wx2 speakers
+ 25W Subwoofer



Compatible with Windows
Mac OS, Linux and Chrome

Proven Touch Screen Technology

Experience the power of proven touchscreen technology with the StarBoard IFPD. Choose between multi-finger touch, stylus pen, or pointer response for seamless writing, drawing, and navigation.

Software

Equipped with StarBoard's Interactive Software, SBS Note, StarBoard Online, iMagic. Effortlessly manage content, collaborate, and create an engaging learning or working environment.

Informative, Functional, Intuitive

With advanced touch technology, The StarBoard Interactive Flat Panel Display provides the latest infrared touch technology and with all the features you expect to meet the demands of active presentations and training environments. Minimalist design with essential connectivity, front speakers, and IR technology makes it easy and intuitive to use. The large interactive surface offers a high-resolution image and delivers an excellent platform for your classroom to learn with creativity.

INTERACTIVE FLAT PANEL DISPLAY YL7X EDLA

MODEL	YL7X
Display Sizes	55" 65" 75" 86"
Resolution	3840x2160 @60Hz
Active area (mm)	55": 1210x680 65": 1428x804 75": 1650x928 86": 1895x1066
Panel	IPS Panel (TN, TFT, VA opt.)
Glass	4mm tempered glass 7 on Mohs scale Anti-glare coating Anti-fingerprint Anti-bacterial coating (opt.)
Sensors	Ambient Light
View angle	178°
Aspect Ratio	16:9
Brightness	450 cd/m2
Contrast	5000:1
Colors	10 Bit (1.07 Billion)
Resolutions supported	1024x768 / 1280x720 / 1280x960 1280x1024 / 1360x768 / 1440x900 1600x1200 / 1920x1080 / 3840x2160
Response time	< 5 ms
WiFi	6 (IEEE 802.11ax)
Bluetooth	5.2
Software	SBS Note, SB Software, StarBoard Online, iMagic, EShare (opt.)
NFC	2 cards

Android specification

System	Android 14.0 (Upgradable to A16)
GPU	G52*8
CPU	A73*4+A53*4 (2.28GHz)
RAM	16G
Flash	256G

Touch specification

Working temp.	0°C – 40°C
Touch points	Up to 50 Points
Writing mode	Finger or pen
Touch Technology	Infrared with Zero Air Gap
Accuracy	<1 mm
Positioning Res.	4096x4096/16384 x 16384/32768x32768
Response time	<5ms
Cursor speed	>180 dot/Sec
Comm. Port	USB

General

Weight (N.W)	55": ~31 Kg 65": ~38 Kg 75": ~51 Kg 86": ~64 Kg
Weight (G.W)	55": ~42 Kg 65": ~51 Kg 75": ~67 Kg 86": ~81 Kg
Machine dimensions	55": ~805x274x80 mm 65": ~1477x938x92 mm 75": ~1700x1068x101 mm 86": ~1946x1205x101 mm
Packaging Dimension	55": ~1385x920x160 mm 65": ~1646x1043x160 mm 75": ~1873x1173x160 mm 86": ~2110x1310x160 mm
OPS slot size	180x119x30 mm
Life span	50.000 Hours
Warranty	3 years (opt. to extend)
Certificates	EDLA, CE-RoHS, EnergyStar, EcoDesign

Input/Output connections

	Back input	Front input	Back output
HDMI 2.0	2	1	1
VGA	1		
USB-C (full function)	1 (65W)	1 (100W)	
USB-C	1 (top)		
USB Touch 3.0	2	1	
USB 2.0	1		
USB 3.0	2	3	
DP	1		
RS232	1		
TF (microSD card)	1		
Audio	1		1
MIC	1		
RJ45 (1Gb)	1		1
OPS PORT	1		
COXAL/SPDIF			1

Microphone specification

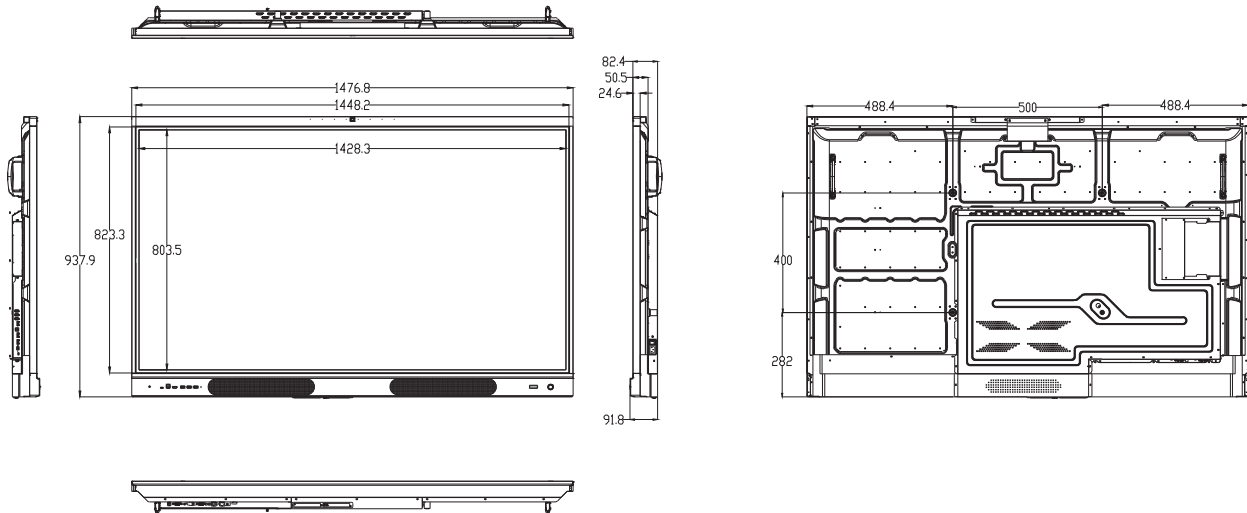
MIC QTY	8
Sampling res.	16/24 bit
Sampling rate	16KHz – 48KHz
AEC Algorithm sampling rate	16KHz
Range	9m
Features	Noise and echo cancellation

Power specification

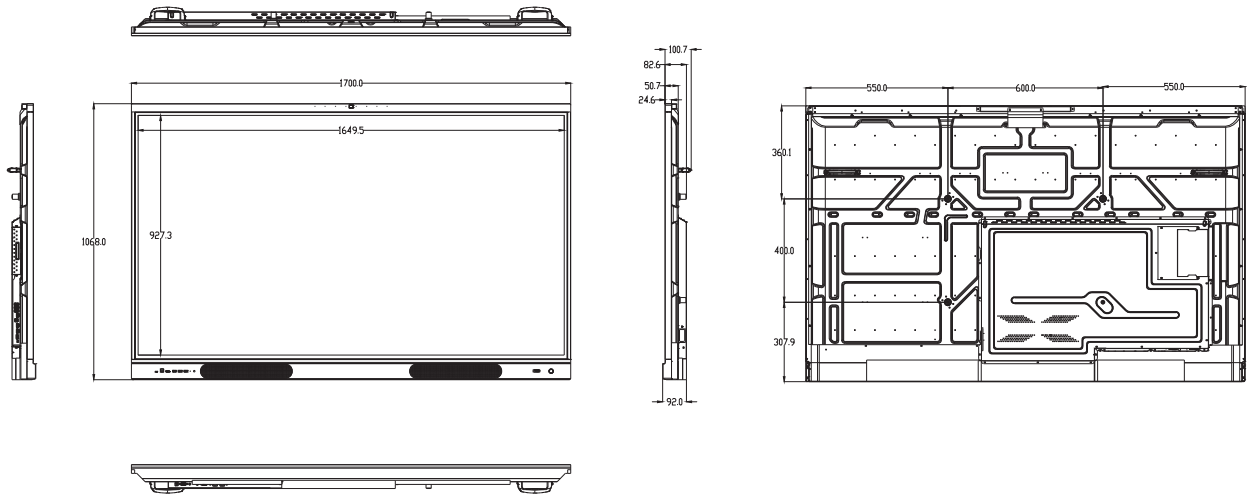
Standby	< 0.5 W
Rated consumption	55": 110W 65": 140W 75": 160W 86": 180W
Voltage range	AC (100-240) V-50/ 60Hz

OPS consumption is not included

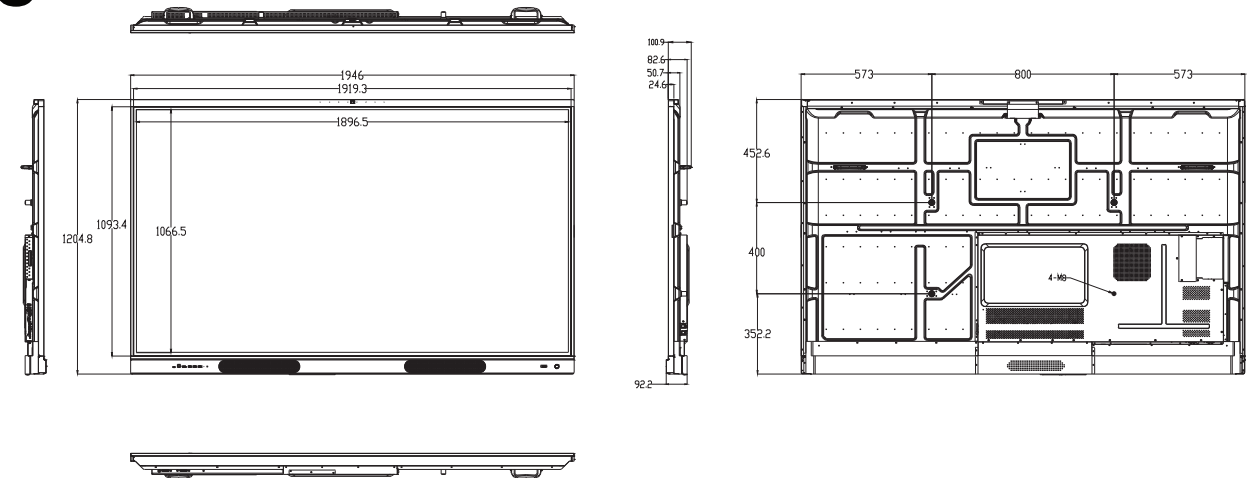
65"



75"



86"



1. Accuracy of Information
We make every effort to ensure the accuracy of the information contained on our website and in our product literature. However, due to continuous product improvement and variations in manufacturing, actual product specifications and features may differ slightly from those described.

2. Changes and Updates
Product specifications, features, and availability are subject to change at any time without prior notice. We reserve the right to make changes to product designs, materials, and functionality to enhance performance and user experience.