

# StarBoard

## INTERACTIVE FLAT PANEL DISPLAY YL Zero Pro



### Informative, Functional, Intuitive

With advanced touch technology, The StarBoard Interactive Flat Panel Display provides the latest infrared touch technology and with all the features you expect to meet the demands of active presentations and training environments.

Minimalist design with essential connectivity, front speakers, and IR technology makes it easy and intuitive to use. The large interactive surface offers a high resolution image and delivers an excellent platform for your classroom to learn with creativity.



**Built in 100w 2.1 System**



**Compatible with Android  
Windows Mac OS & Linux**



**Slim Design**

### Proven Touch Screen Technology

Experience the power of proven touchscreen technology with the StarBoard IFPD. Choose between multi-finger touch, stylus pen, or pointer response for seamless writing, drawing, and navigation.

### Software

Equipped with StarBoard's Interactive Software, StarBoard Online, iMagic. Effortlessly manage content, collaborate, and create an engaging learning or working environment.

# INTERACTIVE FLAT PANEL DISPLAY YL Zero Pro

MODEL	YL Zero Pro
Display Sizes	65" 75" 86"
Resolution	3840x2160 @60Hz
Active area (mm)	65": 1429x804 75": 1650x929 86": 1896x1066
Panel	IPS Panel
Glass	Bonded glass 4mm tempered glass 7 on Mohs scale Anti-glare coating Anti-fingerprint
View angle	178°
Aspect Ratio	16:9
Brightness	450 cd/m2
Contrast	5000:1
Colors	10 Bit (1.07 Billion)
Resolutions supported	1024x768 / 1280x720 / 1280x960 1280x1024 / 1360x768 / 1440x900 1600x1200 / 1920x1080 / 3840x2160
Response time	< 5 ms
Software included	StarBoard Software, EShare, StarBoard Online, iMagic
Buttons	On/Off, Source, Menu, Freeze, Volume Up, Volume Down, Touch lock, Black screen
Pens included	2
Supported Functions	Pen/Touch differentiation , palm erase, palm rejection,

Input/Output connections			
	Back input	Front input	Back output
HDMI 2.0	2	1	1
VGA	1		
MIC	1		
DP	1		
USB-C 3.2	1 (65W)	1 (100W)	
USB-A 3.0	2	3	
USB-A 2.0	1		
TOUCH-USB	2	1	
TF (microSD card)	1		
PC AUDIO	1		
EARPHONE			1
RJ45	1		1
OPS PORT	1		
RS232	1		
COAXIAL/SPDIF			1

General	
Weight (N.W)	65": ~38 Kg 75": ~51 Kg 86": ~64 Kg
Weight (G.W)	65": ~51 Kg 75": ~67 Kg 86": ~81 Kg
Machine dimensions	65": 1477x918x92 mm 75": 1700x1068x101 mm 86": 1946x1186x101 mm
Packaging Dimension	65": 1646x1043x160 mm 75": 1873x1173x160 mm 86": 2110x1310x160 mm
OPS slot size	180x119x30 mm
Life span	50.000 Hours
Warranty	3 years
Certificates	CE-RoHS, EnergyStar, EcoDesign

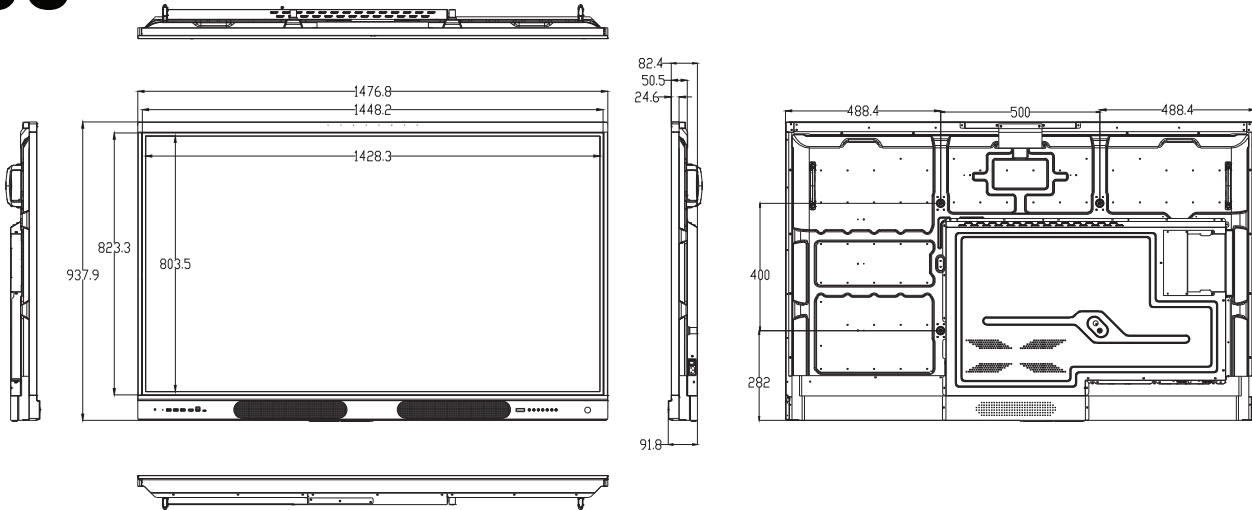
Touch specification	
Working temp.	0°C – 40°C
Touch points	Up to 50 Points
Writing mode	Finger or pen
Touch Technology	Infrared
Accuracy	<1 mm
Positioning Res.	4096x4096/16384 x 16384/32768x32768
Response time	<5ms
Cursor speed	>180 dot/Sec
Comm. Port	USB

Microphone specification	
MIC QTY	8.0
Sampling res.	16/24 bit
Sampling rate	16KHz – 48KHz
AEC Algorithm sampling rate	16KHz
Range	12m
Features	Noise and echo cancellation

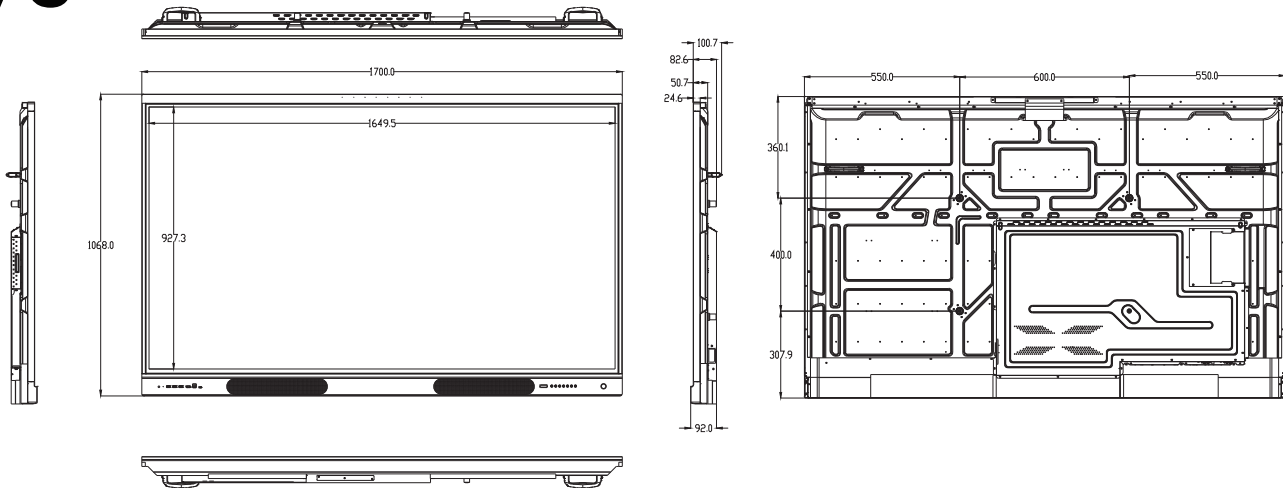
Power specification	
Standby	< 0.5 W
Rated consumption	65": 130W 75": 160W 86": 180W
Voltage range	AC (100-240) V-50/ 60Hz

OPS consumption is not included

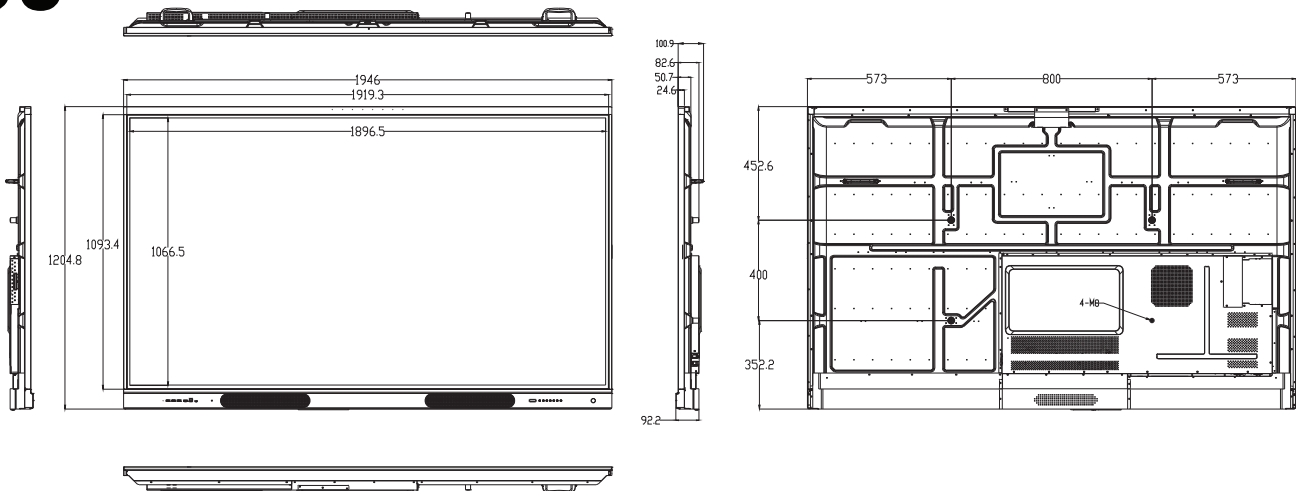
## 65"



## 75"



## 86"



### 1. Accuracy of Information

We make every effort to ensure the accuracy of the information contained on our website and in our product literature. However, due to continuous product improvement and variations in manufacturing, actual product specifications and features may differ slightly from those described.

### 2.Changes and Updates

Product specifications, features, and availability are subject to change at any time without prior notice. We reserve the right to make changes to product designs, materials, and functionality to enhance performance and user experience.