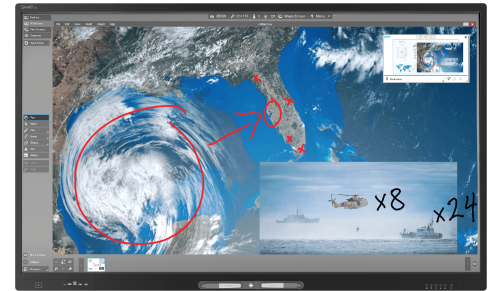




# SMART Board® M Pro high secure series TAA

Available in the US and select international regions, and for US Federal agencies internationally



Display	
Screen sizes (diagonal)	55"   65"   75"   86"
Backlight	LED
Aspect ratio	16:9
Maximum display resolution	4K UHD (3840 × 2160)
Refresh rate	60 Hz
Lifespan	≥ 50,000 hours
Brightness <sup>1</sup>	55": 300 cd/m <sup>2</sup> 65", 75", 86": 400 cd/m <sup>2</sup>
Display response time	≤ 8 ms
Viewing angle	178°
Glass	55": Full heat-tempered   Anti-glare 65", 75", 86": Full heat-tempered   Anti-glare   Bonded
Frame color	Black
Convenience buttons	Power   Home   Volume   Input select   Screen shade   Freeze frame
Sensors	Ambient light   Infrared
Audio	55": 2 integrated 15 W speakers 65", 75", 86": 2 integrated 20 W speakers

## Interactive experience

Touch technology	HyPr Touch™ with Advanced IR
Touch features	Simultaneous tool differentiation Object Awareness™ Silktouch™
Typical touch response time	≤ 5 ms
Frame rate	≥ 200 Hz
Accuracy	1 mm
Minimum object size	2 mm
Multitouch capabilities	40 – Windows 20 – Mac 10 – Chrome OS™
Tools included	Pens (x2)
Tool holders	Magnetic   Frame-mounted

## Software

Included	SMART Meeting Pro® <ul style="list-style-type: none"> <li>Room license</li> <li>Personal licenses (x10)</li> </ul> SMART Product Drivers and SMART Ink®
Optional	SMART TeamWorks™

## Embedded software

Operating system	Not available
------------------	---------------

<sup>1</sup>Brightness of individual displays can vary.

PC computing	
<b>OPS support<sup>2</sup></b>	SMART PCM modules
<b>PC module power supported OPS</b>	85 W
<b>Optional computing module</b>	See > <a href="https://smarttech.com/accessories">smarttech.com/accessories</a>

Inputs	Front	Back
OPS PC accessory slot	–	1
HDMI® 2.1 4K @ 60Hz with HDCP 1.4, HDCP 2.3, ARC, and eARC support <sup>3</sup>	1	3
VGA video	–	1
Stereo 3.5 mm (variable)	–	1
RS-232 (DB-9 connector)	–	1
RJ45 (LAN IN)	–	1
USB Type-C 4K @ 60Hz Display Port 1.2, HDCP 2.3 and HDCP 1.3, USB 2.0 (UFP) for touch and digital audio, USB 3.2 Gen 1 (DFP) for peripherals; 27 W power delivery	1	–
USB Type-C, 4K @ 60Hz, Display Port 1.2, USB 2.0 (UFP) for touch and digital audio, USB 3.2 Gen 1 (DFP) for peripherals; 65W power delivery	–	1
USB 2.0 Type-A	–	1
USB 3.2 Gen 1 Type-A	2	2
USB 3.2 Gen 1 Type-B	1	3

Outputs	Front	Back
HDMI 2.1 4K @ 60Hz with HDCP 2.3 support	–	1
USB Type-C 4K @ 60Hz Display Port 1.4a, HDCP 2.3 and HDCP 1.3, USB 3.2 Gen 1 (DFP) for touch ingest and peripherals; 4.5 W power delivery	–	1
Stereo 3.5 mm (variable)	–	1
S/PDIF optical (fixed)	–	1
RJ45 (LAN OUT)	–	1

<sup>2</sup>The support and performance of third-party OPS (Open Pluggable Specification) and OPS-C modules may vary. Conduct proper compatibility testing to avoid potential issues.

<sup>3</sup>ARC and eARC support are available only with the HDMI 2 input.

Included cables and accessories	Qty
Country-specific power cable	1
16' 5" (5 m) USB 2.0 A to B cable	1
6' (1.8 m) USB 3.2 Gen 1 Type-C cable, 5A	1
Pens	2
Remote control	1
AAA batteries	2
Illustrated installation instructions	1
Important information document	1

### Connectivity

**Wired** RJ45 (x2) 1000BASE-T

### Storage and operating requirements

**Power requirements** 100V to 240V AC, 50 Hz to 60 Hz

**Operating temperature** 41–95°F (5–35°C)

**Storage temperature** –4–140°F (–20–60°C)

**Humidity** 5–80% relative humidity, non-condensing

### Power consumption

**Typical**  
 55": 72 W  
 65": 90 W  
 75": 103 W  
 86": 149 W

**Standby** 0.2 W

### Certification and compliance<sup>4</sup>

**Regulatory models** IDX55-5 | IDX65-5 | IDX75-5 | IDX86-5

**Country of origin** Mexico

**US / Canada** UL | FCC | ISED | TSCA | CONEG Packaging | Proposition 65

**EU / EEA / EFTA / UK** CE | UKCA | LVD | CB | EMC | RED | REACH | RoHS | Battery | WEEE | Packaging | POP | Ecodesign

**Australia / New Zealand** RCM | RSM

**Performance standards** ENERGY STAR® | HDMI | HDCP

<sup>4</sup>Product availability may vary by region.

This product has received additional certifications not listed here.

### Purchasing information<sup>5</sup>

#### Order numbers

<b>M455-V5-P</b>	SMART Board® M055-V5 Pro interactive display, high secure, TAA
<b>M465-V5-P</b>	SMART Board M065-V5 Pro interactive display, high secure, TAA
<b>M475-V5-P</b>	SMART Board M075-V5 Pro interactive display, high secure, TAA
<b>M486-V5-P</b>	SMART Board M086-V5 Pro interactive display, high secure, TAA

#### Optional accessories

**WM-SBID-200** SMART Wall Mount for SMART MX series interactive displays

**Other accessories** See > [smarttech.com/accessories](http://smarttech.com/accessories)

#### SMART Warranty

Terms and conditions and warranty upgrade options vary by region. Visit [smarttech.com/warranty](http://smarttech.com/warranty) or contact your reseller for information.

#### Cable requirements

See > *SMART cables and connectors guide*  
([docs.smarttech.com/kb/171926](http://docs.smarttech.com/kb/171926))



---

<sup>5</sup>Order numbers may vary by region.

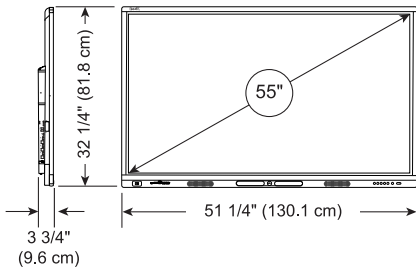
**Installation, dimensions, and weights**

**Notes**

- All dimensions  $\pm 1/8"$  (0.3 cm). All weights  $\pm 2$  lb. (0.9 kg). All dimensions and weight values are preliminary and subject to change.
- Product ships upright.
- Leave space around the display to ensure adequate ventilation.

**55" models**

**Dimensions**



**Weight**

71 lb. (32 kg)

**Shipping dimensions (including pallet)**

56 1/8"  $\times$  43 3/4"  $\times$  6 1/4"  
(142.5 cm  $\times$  111 cm  $\times$  16 cm)

**Shipping weight**

103 lb. (47 kg)

**VESA mount**

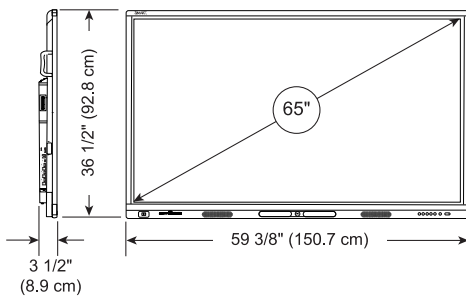
M8 | 400  $\times$  400 mm

**Handles**

–

**65" models**

**Dimensions**



**Weight**

89 lb. (40 kg)

**Shipping dimensions (including pallet)**

63 3/4"  $\times$  45 7/8"  $\times$  6 1/4"  
(162 cm  $\times$  116.5 cm  $\times$  16 cm)

**Shipping weight**

124 lb. (56 kg)

**VESA mount**

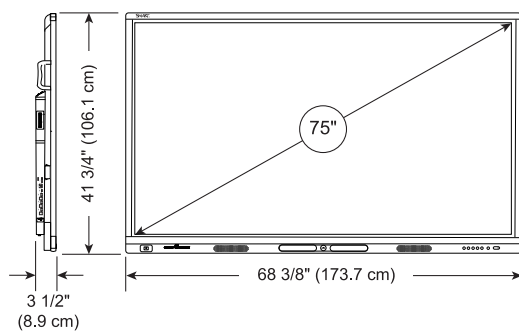
M8 | 600  $\times$  400 mm

**Handles**

2

**75" models**

**Dimensions**



**Weight**

119 lb. (54 kg)

**Shipping dimensions (including pallet)**

71 5/8"  $\times$  50 5/8"  $\times$  6 1/4"  
(182 cm  $\times$  128.5 cm  $\times$  16 cm)

**Shipping weight**

159 lb. (72 kg)

**VESA mount**

M8 | 800  $\times$  400 mm

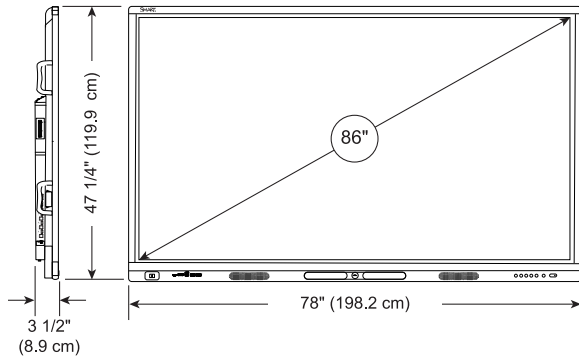
**Handles**

2

**Installation, dimensions, and weights (continued)**

**86" models**

**Dimensions**



**Weight**

150 lb. (68 kg)

**Shipping dimensions (including pallet)**

85 1/4" x 56 7/8" x 6 1/4"  
(216.5 cm x 144.5 cm x 16 cm)

**Shipping weight**

207 lb. (94 kg)

**VESA mount**

M8 | 800 x 600 mm

**Handles**

4

[smarttech.com](http://smarttech.com)  
[smarttech.com/contact](http://smarttech.com/contact)

© 2024 SMART Technologies ULC. All rights reserved. SMART Board, SMART Meeting Pro, SMART TeamWorks, SMART Ink, HyPr Touch, Simultaneous Tool Differentiation, Object Awareness, SilkTouch, smarttech, the SMART logo and all SMART taglines are trademarks or registered trademarks of SMART Technologies ULC in the US and/or other countries. The Adopted Trademarks HDMI, HDMI High-Definition Multimedia Interface, and the HDMI Logo are trademarks or registered trademarks of HDMI Licensing Administrator, Inc. in the United States and other countries. Chrome OS is a trademark of Google Inc. All other third-party product and company names may be trademarks of their respective owners. This product and/or use thereof is covered by one or more of the following US patents: [www.smarttech.com/patents](http://www.smarttech.com/patents). Contents are subject to change without notice. September 18, 2024.