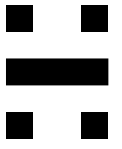


Huddly Crew Add-On Camera L1

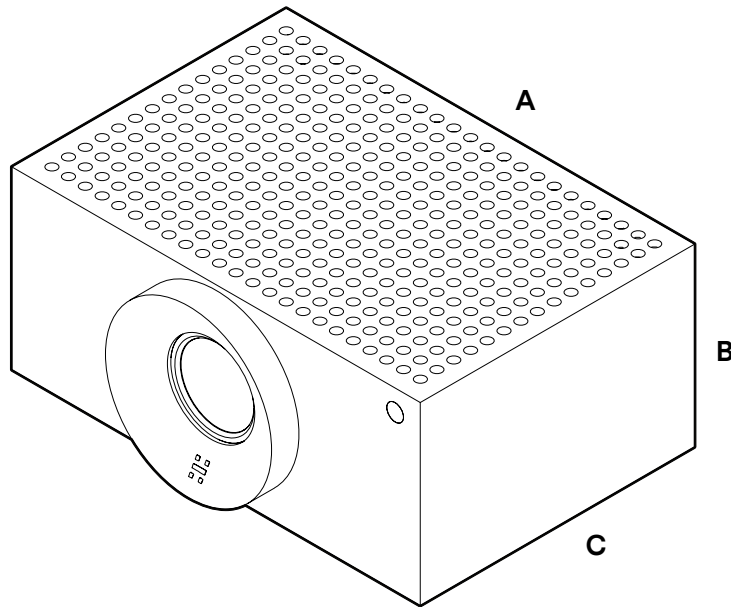


For expanding into
larger spaces



Huddly[®] Crew[™]

Add-On Camera L1



The Huddly Crew Add-On Camera is part of the Huddly Crew system, allowing you to expand your AI-directed multi-camera setup to cover larger spaces.

Measurements

A	Length	122 mm / 4.8 in
B	Height	53 mm / 2.0 in
C	Width	82 mm / 3.2 in
	incl. lens	90 mm / 3.5 in

Weight

0.6 kg / 1.3 lbs

Image

- 6K image sensor
- 20.30 Megapixels 1" CMOS Sensor
- 1080p Full HD @ 30 fps video output
- 720p HD @ 30fps video output
- Up to 5x digital zoom
- 16:9 aspect ratio output
- 180° image auto-flip

Optics

- Wide-angle glass optics
- Horizontal field of view 92°
- Vertical field of view 65°
- Diagonal field of view 103°
- f/2.9 aperture

System & Hardware Requirements

- Windows 10

Connectivity

- Connector: RJ45
- Cable: Cat 5e/6/7
- USB Type-C port supporting USB 2/3 (via USB Adapter)

Hardware

- High-performance VPU with neural compute engine
- Aluminum body

Color

Matte Black

GTIN

7090043791013

Huddly[®] Crew[™]

Add-On Camera L1

Features

Huddly Director

Like a TV director, Huddly Director edits your meetings live using Edge AI. You can choose between Speaker and Collaboration Mode to adapt the experience to your needs.

Speaker Mode

Ideal for formal or informative meetings, Speaker Mode identifies the main speaker and keeps the camera view focused on them.

Collaboration Mode

Collaboration Mode is ideal for interactive sessions. Inspired by TV and movie production, it switches between the speaker and listener reactions for an engaging and natural meeting flow.

Software-Upgradable

Huddly Crew is designed for continuous improvement through regular software upgrades that introduce new capabilities and enhancements.

Image Enhancement

Huddly Crew features automatic white balance, color correction, and optical aberration correction. It uses bias-compensating spatiotemporal filtering with wide-area chroma filtering to reduce image noise and Dynamic Light Optimization to adjust to low lighting conditions.

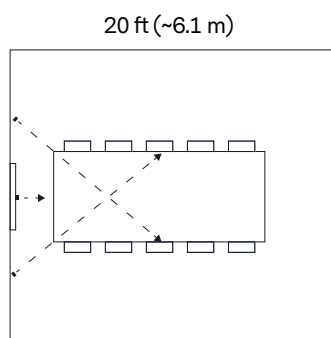
Real-Time Dewarping

Huddly Crew's wide-angle image is automatically dewarped and perspective-corrected in real-time, resulting in a natural, true-to-life view.

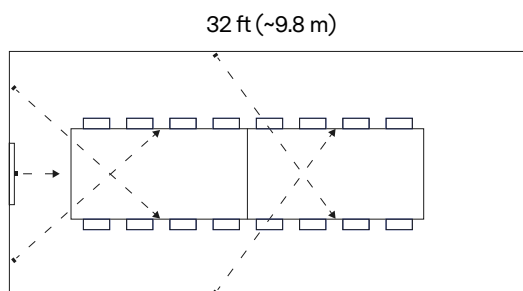
Exposure Adjustment

Huddly Crew uses an intelligent exposure adjustment mechanism to optimize brightness levels across cameras.

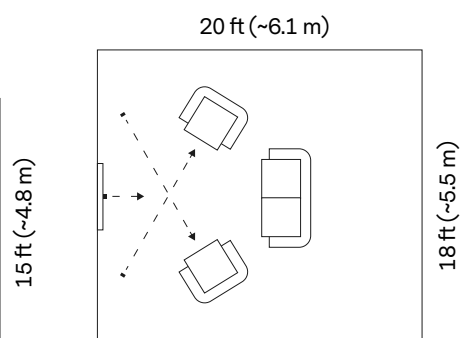
Room Examples



Medium room
6-12 people



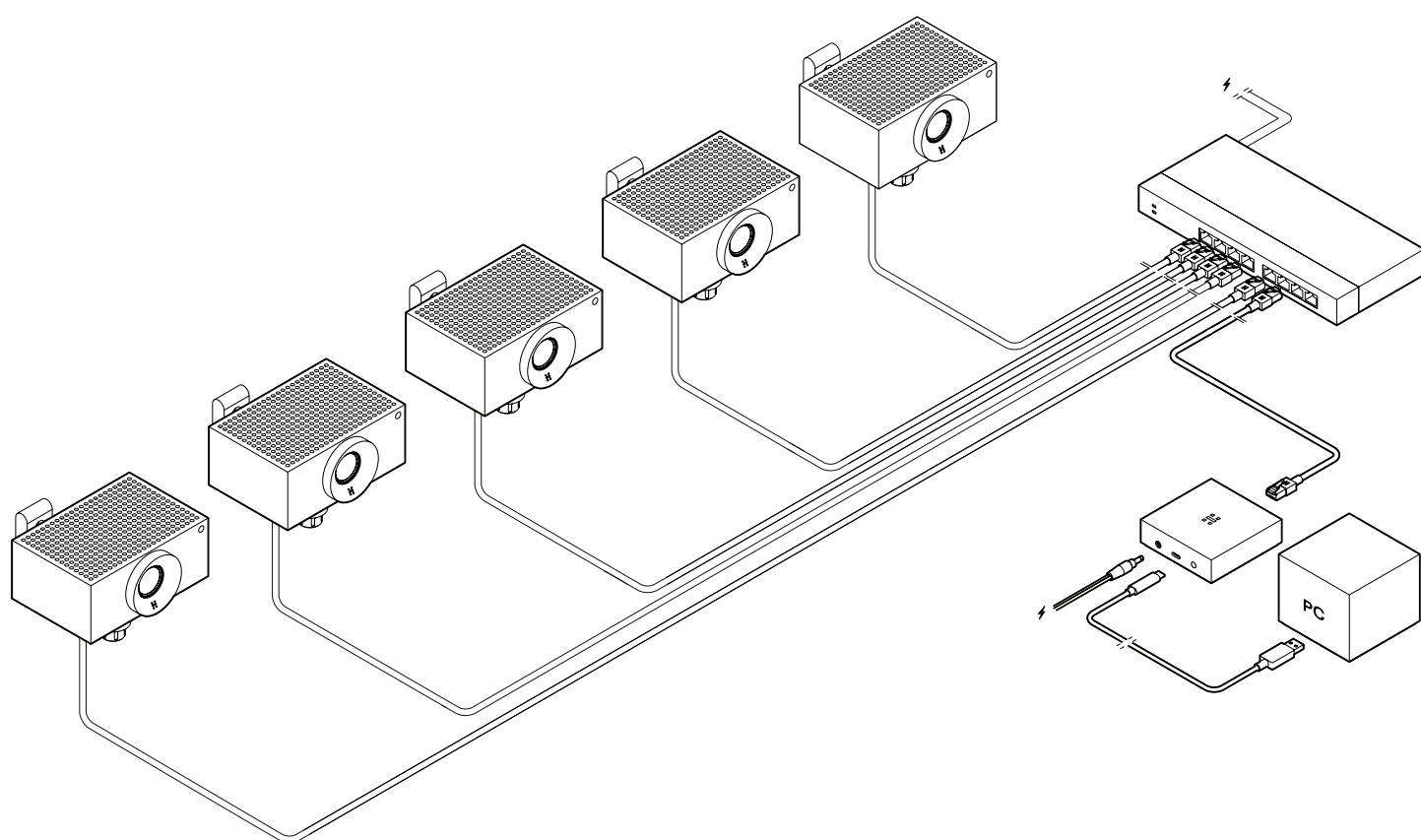
Large room
12-16 people



Flexible space

Huddly[®] Crew[™]

Add-On Camera L1

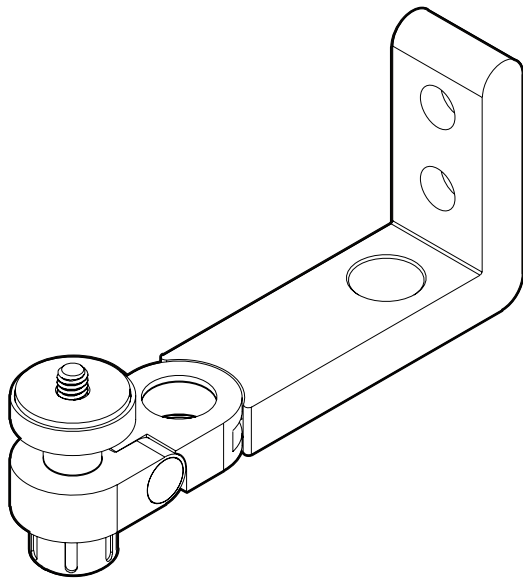


Connectivity

Huddly Crew is USB plug-and-play. Simply unbox the cameras and connect them to the provided Netgear switch using CAT6 Power over Ethernet cables, which can extend up to 100 m/328 ft. The switch connects to your room system or Windows computer via a Huddly USB adapter.

Huddly[®] Crew[™]

Wall Mount



The Huddly Crew wall mounts provide a clean and adaptable setup, ensuring optimal angles for various scenarios.

Measurements ex. packaging

Length 13 cm / 5 in
Height 7.5 cm / 1.8 in
Width 2.5 cm / 1 in

Measurements incl. packaging

Length 15.5 cm / 5.9 in
Height 9.5 cm / 3.7 in
Width 3 cm / 1.2 in

Weight

Weight incl. packaging: 184 g / 0.4 lbs
Weight ex. packaging: 154 g / 0.3 lbs

Hardware

Aluminum body

Color

Matte Black

GTIN

7090043790931