

Any brand and type of screen

UFPRO-V400  
VESA  
100, 200, 300 & 400

- Wall mounts
- Ceiling mounts
- Housings
- Floor stands
- Lift systems
- Etc.

Max. 30

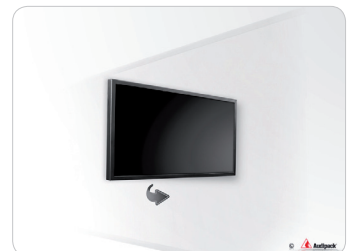
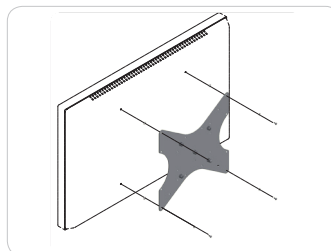
**Very slim, VESA related L&S 5 flat panel bracket. Suitable for quick and safe installing to floor stands, wall-and ceiling mounts. VESA: 100, 200, 300 & 400**

- ▲ **Designed to fit ultra thin LED screens**
- ▲ **Multi VESA mounting interface**
- ▲ **Suitable for any brand and type of screen**
- ▲ **Quick installation onto any Audipack product**

The ideal non-brand related product for rental and staging applications in the professional AV.

The Uniflatfix V400 flat panel brackets are designed to enhance the flexibility of the Audipack L&S concept. The Uniflatfix V400 is the perfect VESA related interface between the flat panel and the Audipack flat panel accessories.

Unlike brand related Audipack flat panel brackets which have been designed to fit exactly onto a specific brand and type of flat panel, the Uniflatfix V400 flat panel brackets are supplied with a multi-VESA mounting pattern.



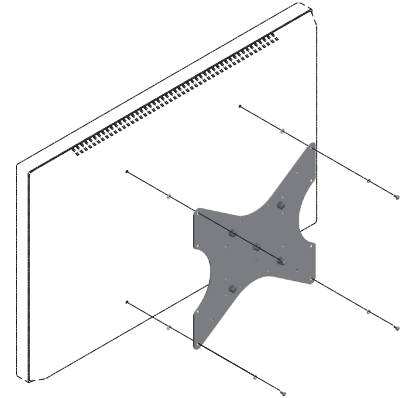
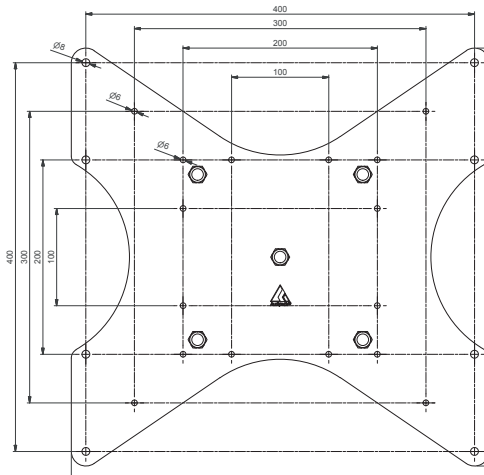
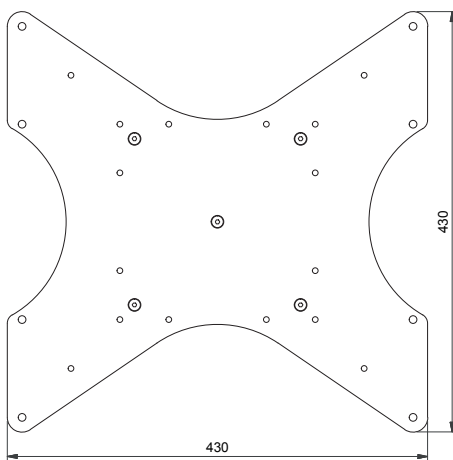


**Audipack®**

*It's great to have solutions...*

**FACT SHEET**

**UFPRO-V400B**



## Technical specifications

Dimensions in mm.	W430 x D17 x H430
Mounting range	VESA 100, 200, 300 and 400
Max. load	30 Kg
Standard colours:	Black RAL 9005
Screen positioning	Landscape and portrait
Suitable for	Any brand and type of screen
Applicable on	All audipack products with L&S3/5 Wall mounts Wall arms Ceiling mounts Ceiling to floor solutions Truss mounts Floor stands Video wall systems Lift systems Housings Etc.

## Related products

UFPRO-0500, Max mounting range: W470 x H360 mm  
UFPRO-0700, Max mounting range: W670 x H446 mm  
UFPRO-0800, Max mounting range: W810 x H446 mm  
UFPRO-0801, Max mounting range: W810 x H671 mm  
390814, Mounting range: VESA 75, 100 and 200