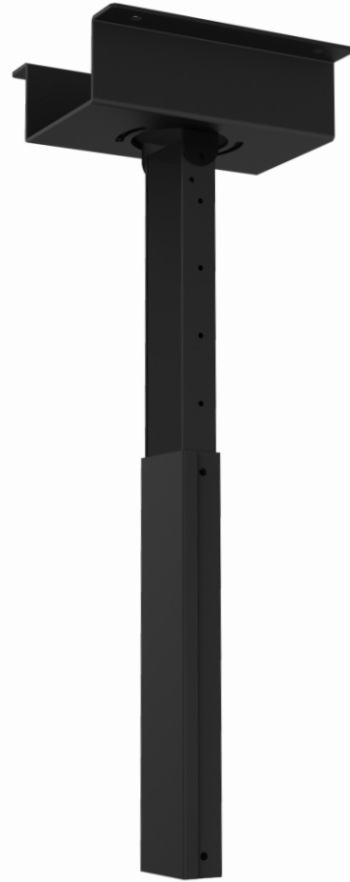
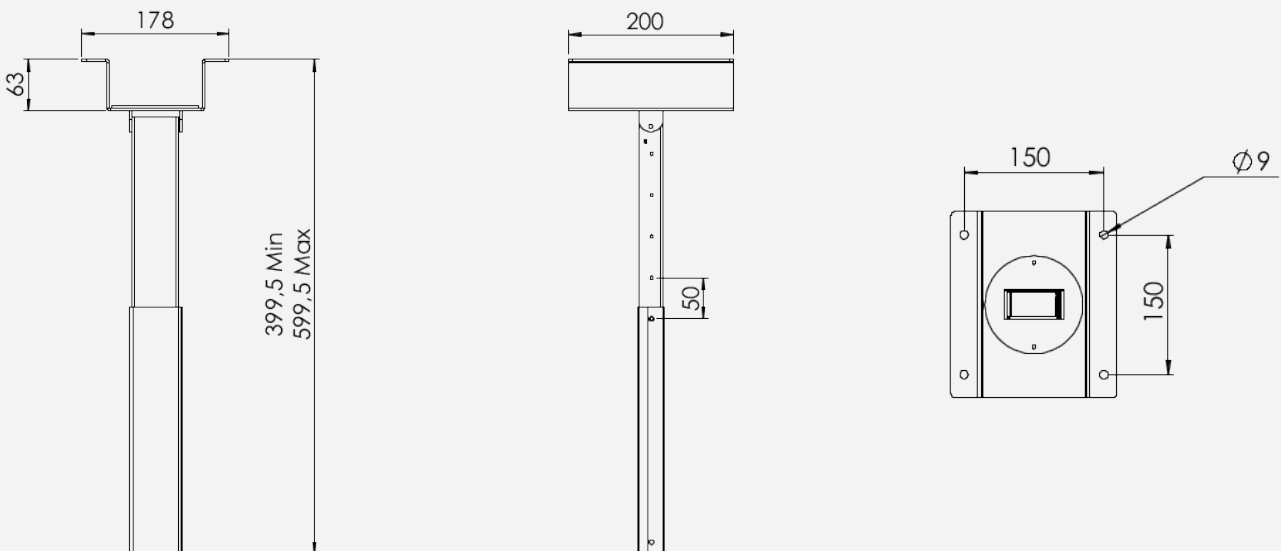


### Ceiling mount for ceiling casing

All our ceiling casing are designed to be used with our custom made telescope pipe. Adjustable in different length and the displays can be swiveled in different directions. The telescope is designed with an openable cover to make it easy for cable management.



### TECHNICAL DRAWING



# SPECIFICATION

---

## Features

---

- No visible cables
- Openable cover for cable management
- Adjustable in different length
- Adjustable telescope between 40-60cm
- Black and white as standard colors
- Custom colors upon request
- Extend with our extension pipe

## Material options

---

- Powder coated metal

## Casing options

---

- All ceiling casings

## Powder coating colors

---

- Black, RAL 9005str
- White, RAL 9003str
- Custom color upon request

## Part number & Description

---

- CM3500-0101-02P      Ceiling Mount and Telescope pipe, 40-60cm, Black