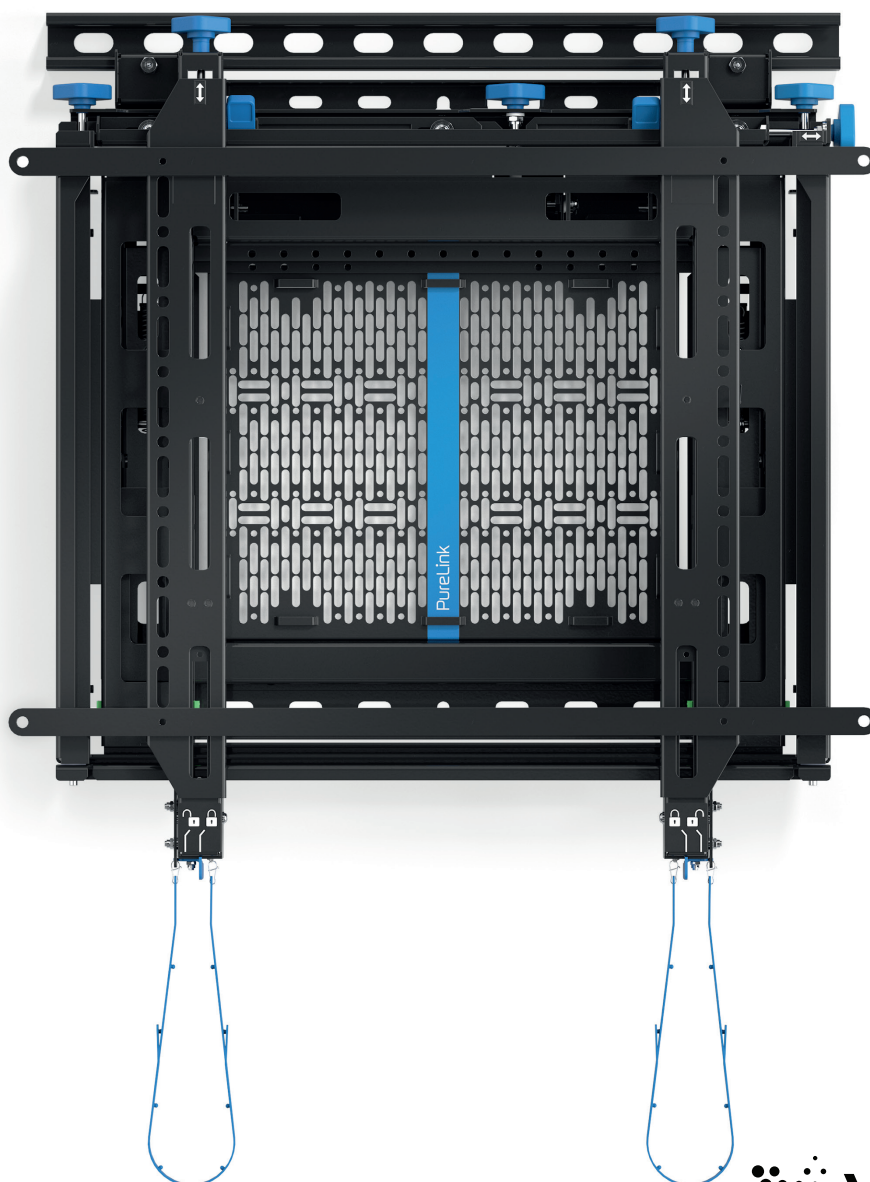


PureLink

SOFT-TOUCH | WALL MOUNT

INSTALLATION GUIDE & PARTS LIST



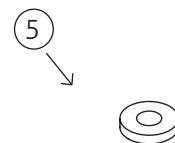
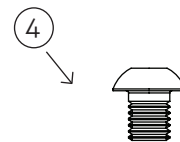
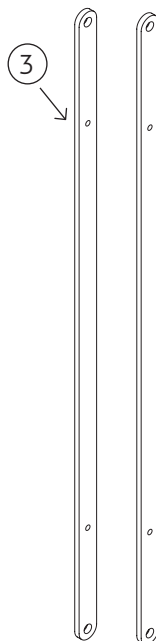
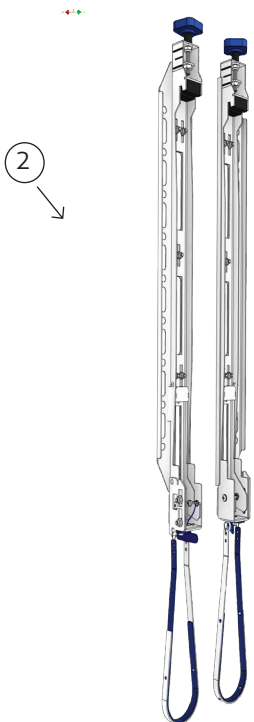
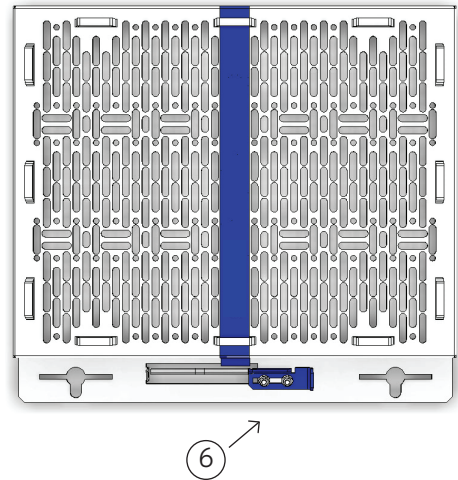
 **Vuelogic**

WM-ST400 | WM-ST400W

Please read all pages prior to installation!

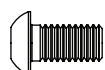
PARTS LIST

| REF | PART NAME | QTY | REF | PART NAME | QTY |
|-----|---------------------------|-----|-----|-----------------|-----|
| 1 | Wall Mount | 1 | 4 | M6 x 10mm Screw | 4 |
| 2 | Interface Arm | 2 | 5 | M6 Washer x 2mm | 4 |
| 3 | VESA 600mm Extension Arms | 2 | 6 | Equipment Rack | 1 |



PARTS LIST

| REF | INTERFACE KIT | QTY | REF | INTERFACE KIT | QTY |
|-----|-----------------|-----|-----|---------------------------|-----|
| A | M6 x 16mm Screw | 4 | G | M8 x 5mm Spacer | 4 |
| B | M6 x 25mm Screw | 4 | H | M8 x 13mm Spacer | 4 |
| C | M6 x 40mm Screw | 4 | I | M8 x 25mm Spacer | 4 |
| D | M8 x 16mm Screw | 4 | J | M6 washer (for parts A-C) | 4 |
| E | M8 x 25mm Screw | 4 | K | M8 washer (for parts D-F) | 4 |
| F | M8 x 40mm Screw | 4 | L | M6 thread insert | 2 |



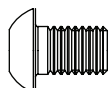
A



B



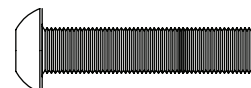
C



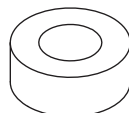
D



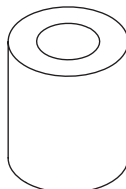
E



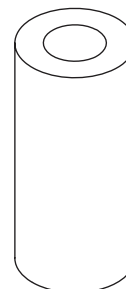
F



G



H



I



J



K



L

INSTALLATION SAFETY INSTRUCTIONS

This mount is intended for use with flat screens that do not exceed the maximum weight indicated of 40Kgs (88lbs.). Exceeding this weight limit will result in instability, causing possible injury.

Do not attempt to install this product until all instructions and warnings have been read and properly understood. Please keep these instructions for future reference.

Please check carefully to make sure there are no missing or defective parts. Defective parts must never be used.

PureLink GmbH, its distributors and dealers are not liable or responsible for damage or injury caused by improper installation, improper use or failure to observe these safety instructions. In such cases, all guarantees will expire.

General

PureLink GmbH recommends that a professional AV installer or other suitably qualified persons, install this product. Great care must always be taken during installation as AV equipment is fragile, possibly heavy and easily damaged.

If you do not fully understand the instructions or are not sure how to install this product safely, then please consult a professional for advice and/or to install this product for you. Failure to mount this product correctly may cause serious injury or death both during installation and at any time thereafter.

Do not mount any AV equipment that exceeds the specific weight limit of the product you are installing. This weight limit will be clearly stated on each product and its packaging and will vary from product to product.

Product location

Please pay careful attention to where this product is located. Check load capacity of wall prior to installation as some walls are not suitable for installation. Designed for indoor use, this mount is suitable for public or home installation. If located in a public area, ensure the product is out of the immediate reach of people. If any AV equipment is to be suspended over the likely path or location of people, then great care must be used, ensuring all equipment is securely fixed to a wooden stud, concrete block or other permanent structure.

Installing on drywall boards alone will not support the weight of most AV equipment. When drilling holes in walls it is essential to avoid contact with electrical cables, water or gas pipes, contained within. Use of a good quality live wire detector and hidden abscess locator is therefore recommended.

Only drill into structures when you are sure it is safe to do so.

Fixing hardware

It is highly recommended that all wall fixings be used where supplied and that the purpose of all hardware is fully understood.

In some cases, more AV equipment fixing hardware will be supplied to accommodate different models of equipment and set up configurations.

The installer must be satisfied that any supplied fixing hardware is suitable for each specific installation. If any fixing screws or included hardware are deemed not sufficient, for a safe installation, then please consult a professional or your local hardware store.

Hazard limitation

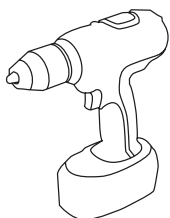
When routing cables take advantage of any built-in cable management features that the product might provide and ensure that all cables are properly routed and secure. Check to see that any moving aspect of the product can do so unhindered by any cabling.

Some products have moving parts and the potential to cause injury through the crushing or trapping of fingers or other body Parts, exercise care and read all warnings.

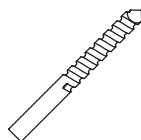
Particular attention to the nature of moving parts is always required, especially when assembling, installing and servicing. Immediately after installations, double check that the work done is safe and secure. Double check all necessary fixings are present and suitably tightened.

It is recommended that periodic inspections (not greater than 6 months apart) of the product and its fixing points are made as frequently as possible to ensure that safety is maintained. If in doubt consult a professional AV installer or other suitably qualified person.

Installation tools required



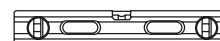
Drill



Drill bit



Pencil



Level



Electric Wall Scanner

WARNING

ES

PureLink GmbH recomienda que un instalador de audio y video profesional u otra persona debidamente cualificada instalen este producto. PureLink GmbH, sus distribuidores y concesionarios no se hacen cargo ni se responsabilizan de ningún daño o lesión provocados por una instalación inapropiada. Este producto se debe montar en una estructura adecuada y se debe utilizar soportando solamente hasta el peso máximo indicado.

FR

PureLink GmbH recommande de confier l'installation de ce produit à un installateur AV professionnel ou à une autre personne dûment qualifiée. PureLink GmbH, ses distributeurs et ses revendeurs ne sauraient être tenus responsables de tout dégât ou de toute blessure résultant d'une installation incorrecte. Ce produit doit être monté sur un support approprié et utilisé dans la limite du poids maximum indiqué.

DE

PureLink GmbH empfiehlt, dass dieses Produkt durch einen qualifizierten AV-Techniker oder eine andere Person mit geeigneter Qualifikation installiert wird. PureLink GmbH, ihre Distributoren und Händler können nicht für durch fehlerhafte Montage verursachte Beschädigung oder Verletzung haftbar bzw. verantwortlich gemacht werden. Dieses Produkt muss auf eine geeigneten Untergrund montiert werden und darf nur bis zum angegebenen Höchstgewicht verwendet werden.

IT

PureLink GmbH consiglia di affidare l'installazione di questo prodotto a un installatore specializzato o ad altra persona adeguatamente qualificata. PureLink GmbH i suoi distributori e rivenditori non accettano alcuna responsabilità nei riguardi di eventuali danni o infortuni causati da un'errata installazione. Questo prodotto deve essere fissato a una struttura idonea e utilizzato unicamente sino al peso massimo indicato.

NL

PureLink GmbH adviseert om dit product te laten installeren door een professionele AV-installateur of andere hiervoor gekwalificeerde persoon. PureLink GmbH haar distributeurs en dealers zijn niet aansprakelijk of verantwoordelijk voor schade of letsel die is veroorzaakt door onoordeelkundige installatie. Dit product moet worden gemonteerd aan een geschikte constructie, waarbij het aangegeven maximum gewicht niet mag worden overschreden.

PT

A PureLink GmbH recomenda que a instalação deste produto seja efectuada por um instalador de AV instalador de AV profissional ou outra pessoa devidamente habilitada. A PureLink GmbH e os seus distribuidores e concessionários não são responsáveis por danos ou lesões causados por uma instalação incorrecta. Este produto tem de ser montado numa estrutura adequada e utilizado somente até ao peso máximo indicado.

PL

Firma PureLink GmbH zaleca, aby ten produkt był instalowany przez profesjonalnych instalatorów AV lub inny odpowiednio przeszkolony personel. Firma PureLink GmbH, jej dystrybutorzy i dealerzy nie ponoszą odpowiedzialności za uszkodzenia lub obrażenia ciała powstałe w wyniku nieprawidłowej instalacji. Niniejszy produkt musi być zamontowany na odpowiedniej powierzchni, a podczas użytkowania nie wolno przekraczać podanego maksymalnego obciążenia.

CS

Společnost PureLink GmbH doporučuje provést instalaci tohoto produktu instalátora AV či jinak způsobilé osoby. Společnost PureLink GmbH, její distributoři a prodejci nenesou prostřednictvím odborného odpov. řednost za škody nebo zranění způsobená nevhodnou instalací. Tento výrobek je nutno umístit do vhodné konstrukce a používat jen po uvedené maximální výšce.

RU

Компания PureLink GmbH рекомендует чтобы установка данного изделия производилась инженером по установке аудио-видеотехники или другим специалистом с соответствующей квалификацией. Компания PureLink GmbH ее дистрибьюторы и дилеры не несут ответственности за повреждения или травмы, полученные в результате неправильной установки. Данное изделие должно

Warranty period : 2 Years

This PureLink product, delivered new, in the original carton to the original consumer purchaser, is warranted by PureLink against manufacturing defects in materials and workmanship for the warranty period above. This warranty begins on the original date of purchase. To receive warranty service, the purchaser must contact PureLink for problem determination and service procedures. Warranty service can only be performed by a PureLink authorized service centre. The original dated bill of sale must be presented upon request as proof of purchase to PureLink authorized service centre.

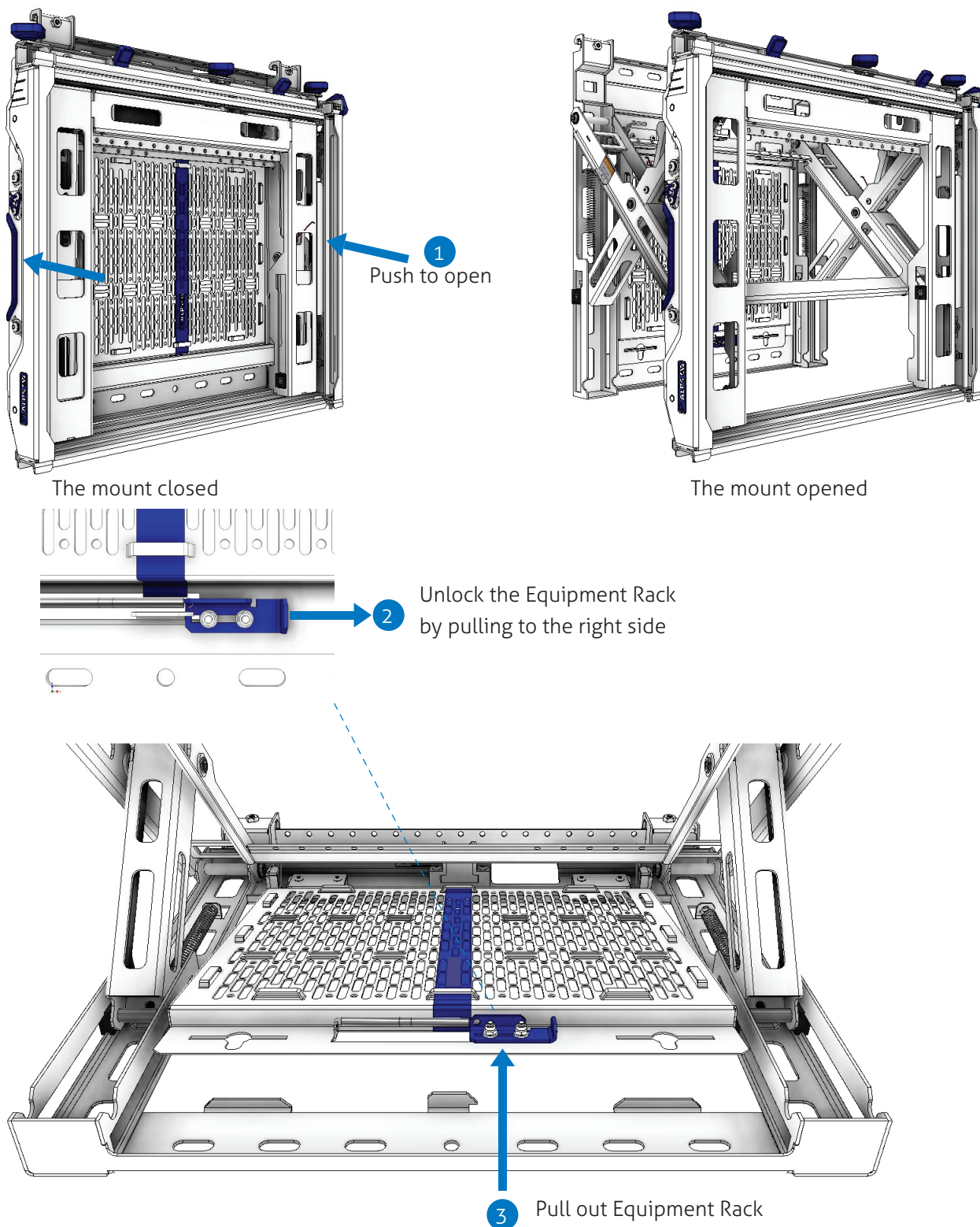
PREPARATION

Step 1

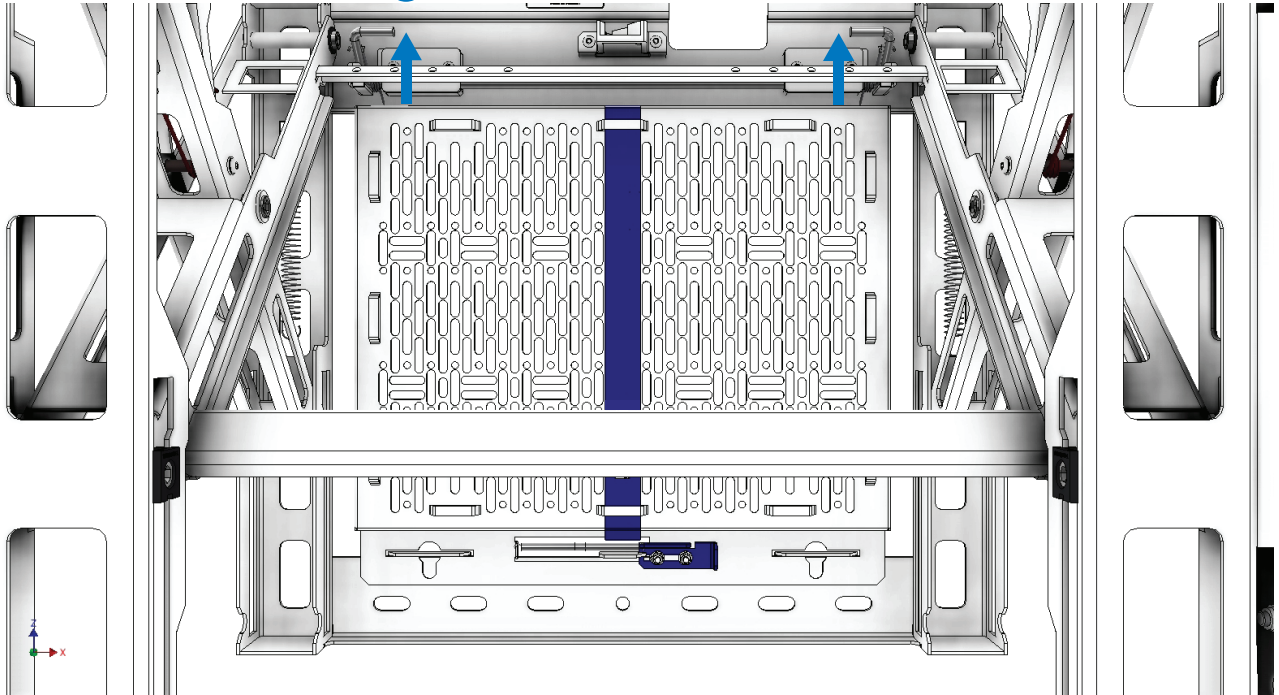
How to remove Equipment Rack.

1. Push the mount open
2. Unlock Equipment Rack
3. Pull out Equipment Rack
4. Lift up to take out Equipment Rack

Note: The purpose of Equipment Rack is to mount electrical device(s)

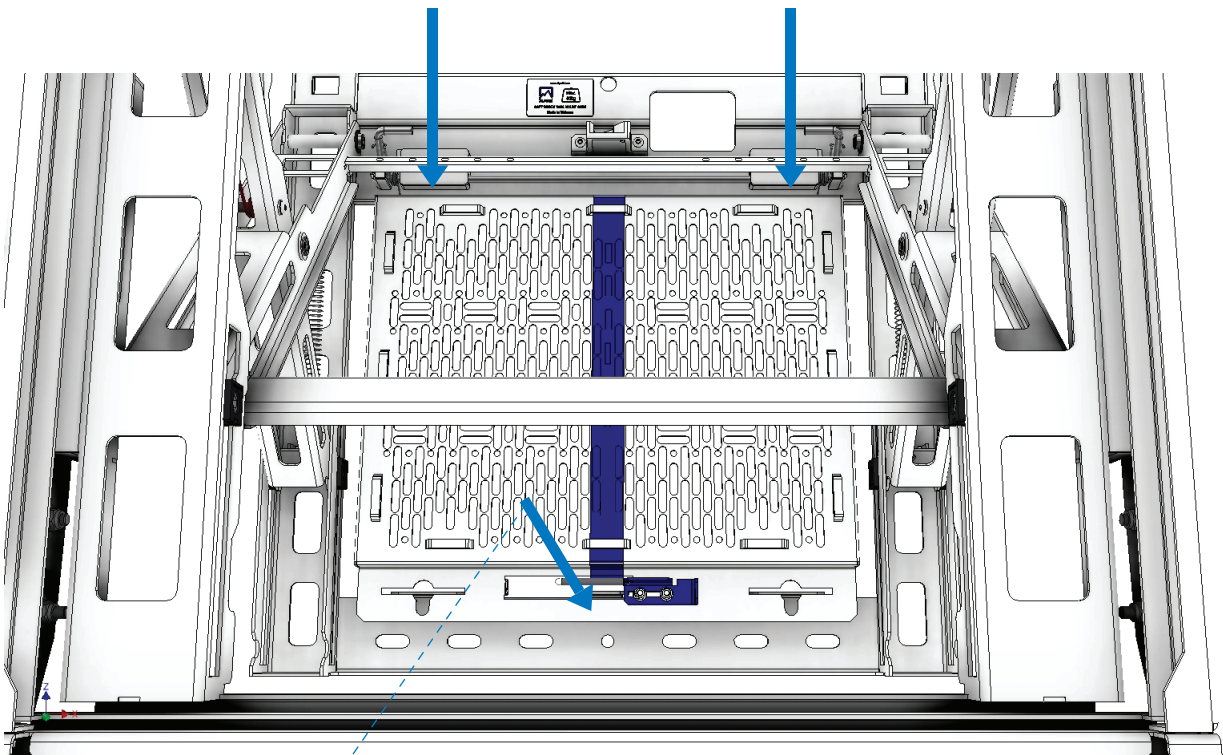


4 Lift up to remove the Equipment Rack



Step 2 How to assemble Equipment Rack.

1 Hang the equipment rack into 2 slots

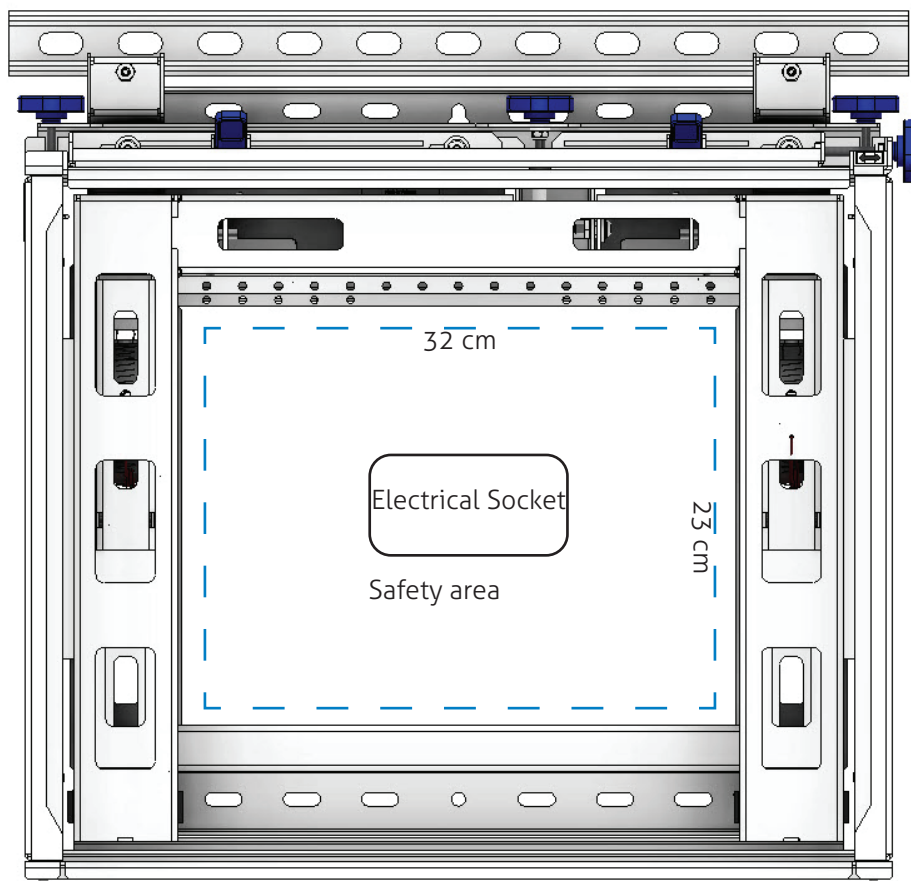


2 Press to lock the Equipment Rack

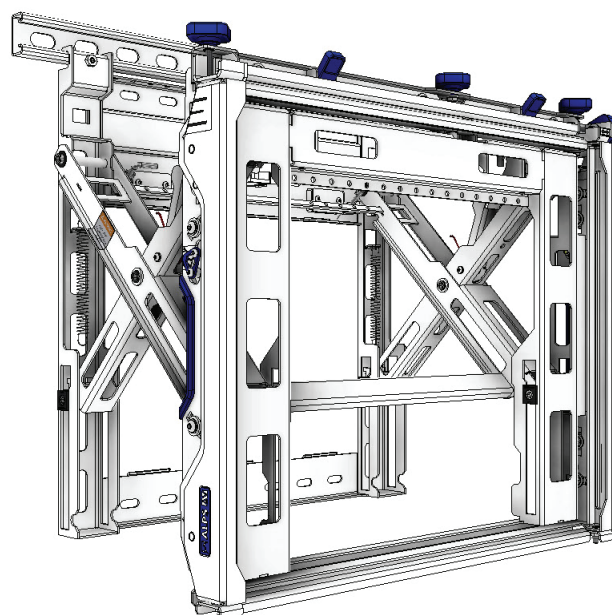
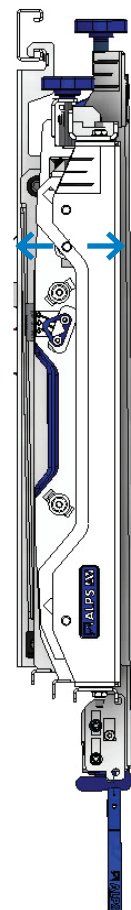
Step 3 If the electrical socket is located in the center of the mount, the equipment rack can not be used.

Note:

- Ensure that the electrical socket is always in a safe area (32 cm x 23 cm).
- The total height of the electrical socket and the power plug must be lower than 76 mm.
- Use an Electric Wall Scanner to locate the electrical wire if you want to drill a hole in the wall.



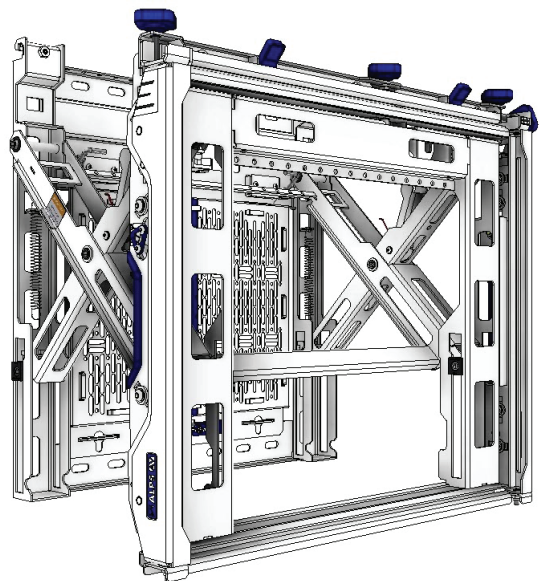
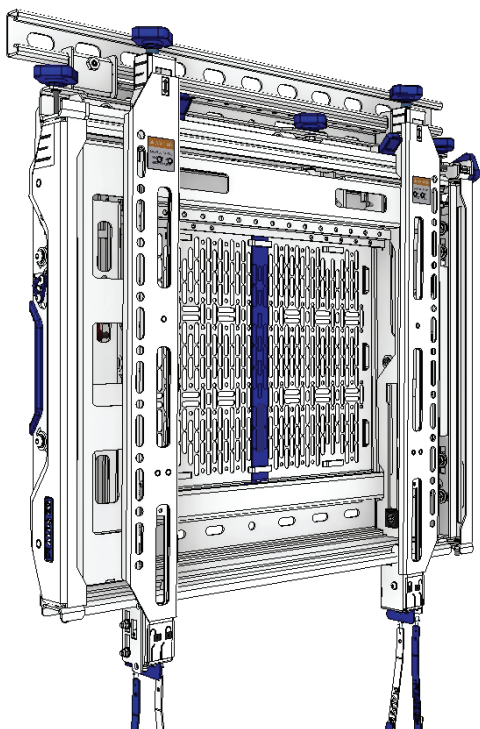
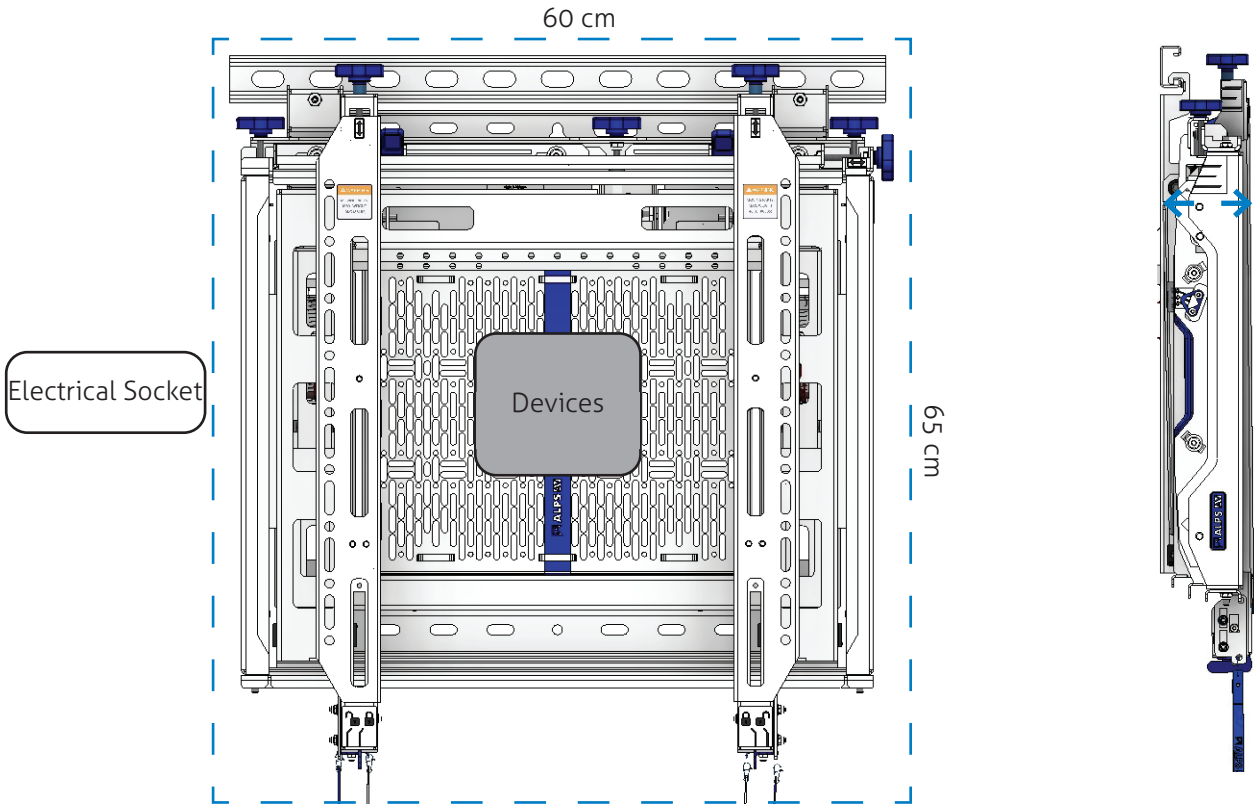
Total height of Electric Socket must be lower than 76 mm



Step 4 If the electrical socket is located outside the mount area, the equipment rack can be used.

Note:

- Ensure that the electrical socket is always in the outside mount area (60 cm x 65 cm).
- The total height of the electrical socket and the power plug must be lower than 76 mm.
- The total height of electric devices must be a maximum of 60 mm and should be located in the center of the equipment rack.
- Use an Electric Wall Scanner to locate the electrical wire if you want to drill a hole in the wall.



INSTALLATION INSTRUCTIONS

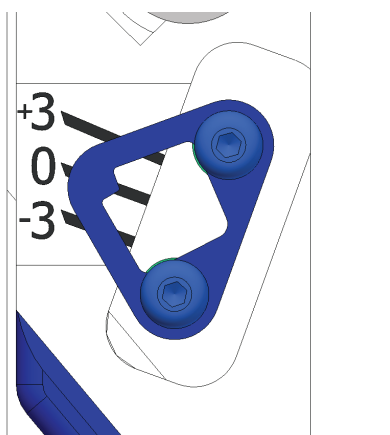
Step 1

Remove and check all parts.

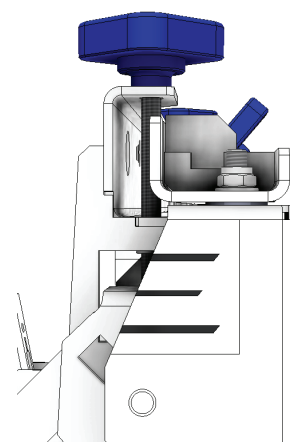
Check if depth and lateral adjustment knobs are centered in adjustment range.



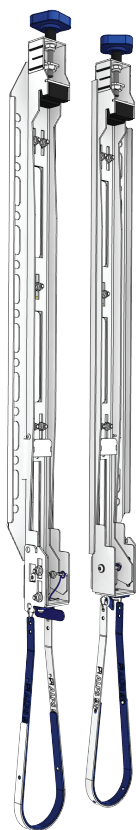
Height adjustment



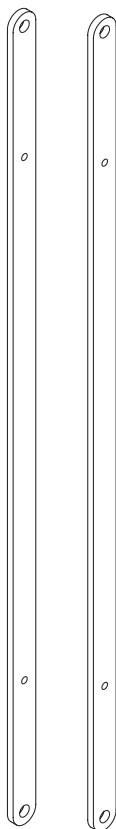
Tilt adjustment



Depth adjustment



Interface Arms



VESA Extension Arms

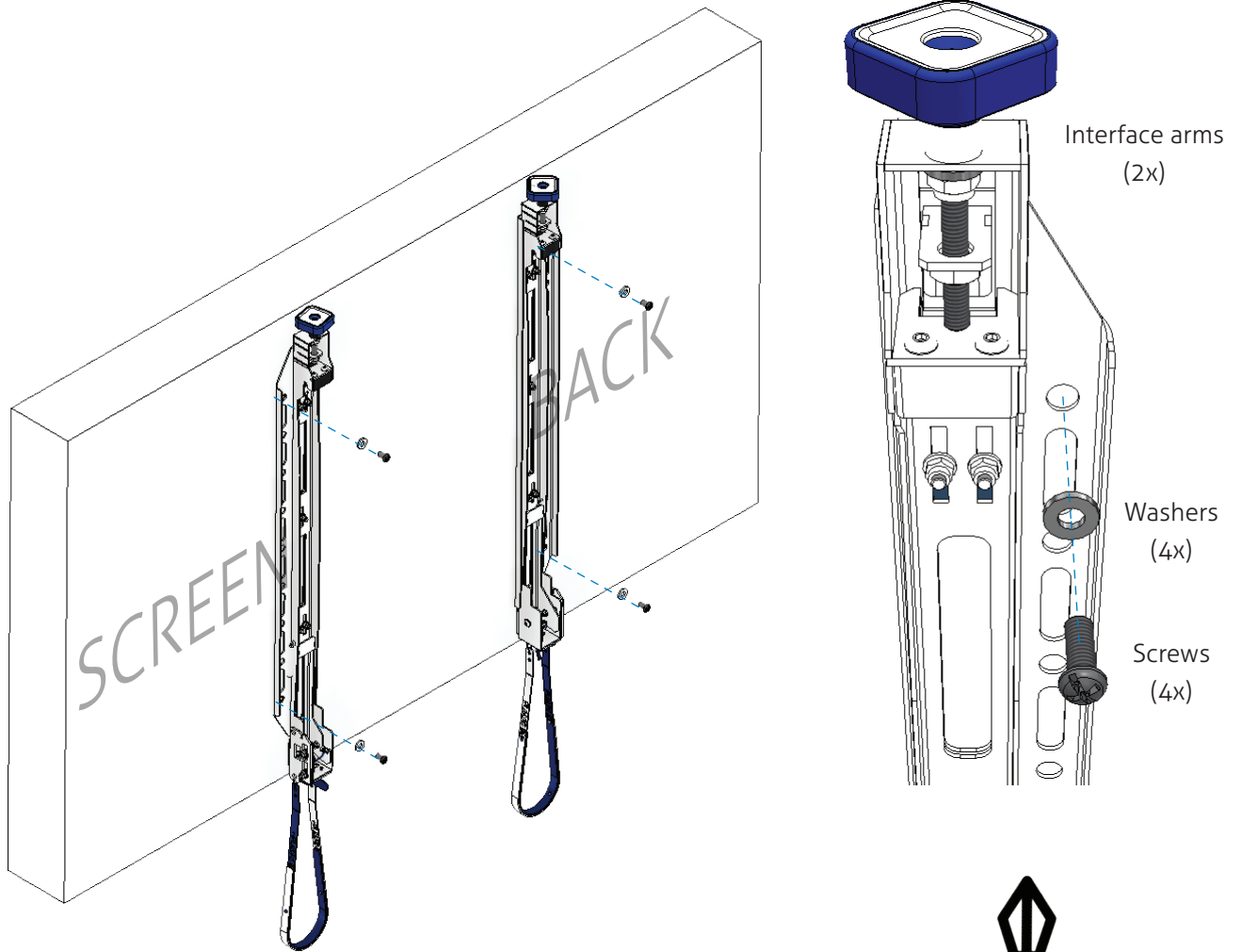


Mount

Step 2.1 Attach the interface arms to the flat screen (The interface arms fit from VESA 200 x 100mm through 400 x 400mm).

Importance: Use accessories in the assembly kit

- Use suitable position of VESA holes on the screen
- Use suitable length of screws and washers
- Use spacers if needed



VESA 400x400 (Shown)



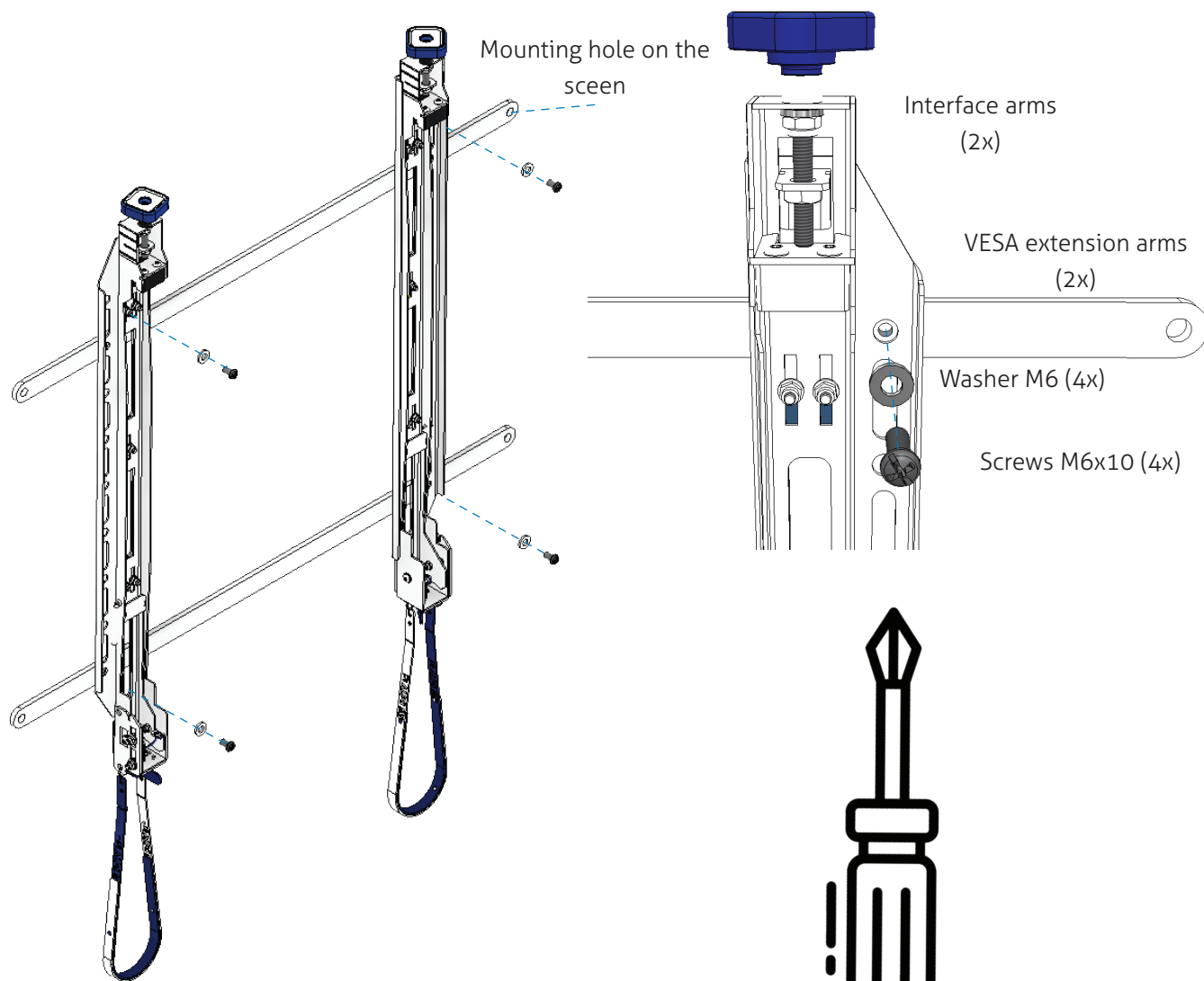
Screw Drive

Step 2.2

VESA Landscape 600x400 (Use M6x10 and washer M6 to assemble interface arms with VESA extension bar)

Importance: Use accesories in the assembly kit

- Use suitable position of VESA holes on the screen
- Use suitable length of screws and washers
- Use spacers if needed



For VESA 600x400 Landscape

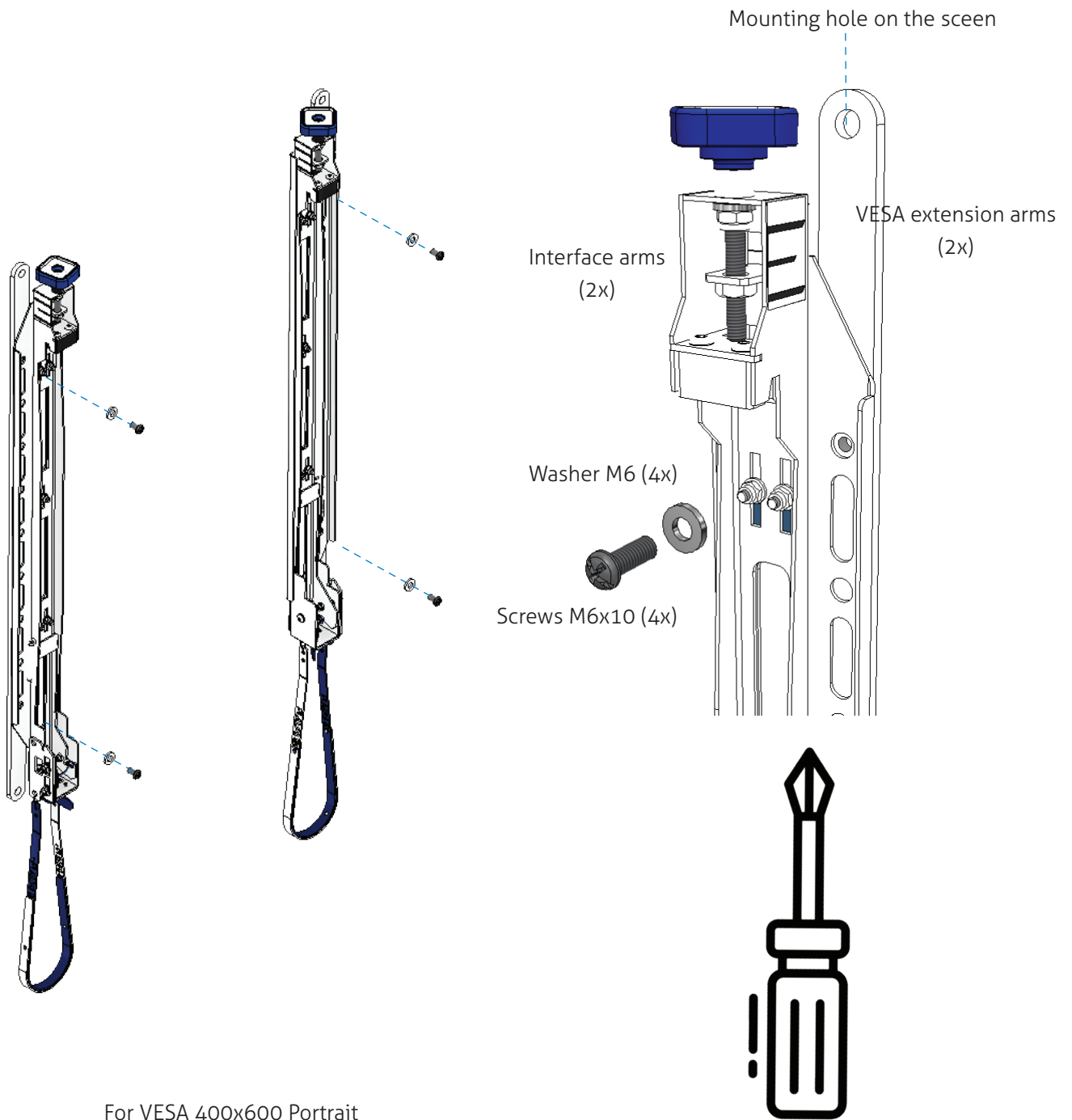
Screw Drive

Step 2.3

VESA Portrait 400x600 (Use M6x10 and washer M6 to assemble interface arms with VESA extension bar)

Importance: Use accesories in the assembly kit

- Use suitable position of VESA holes on the screen
- Use suitable length of screws and washers
- Use spacers if needed

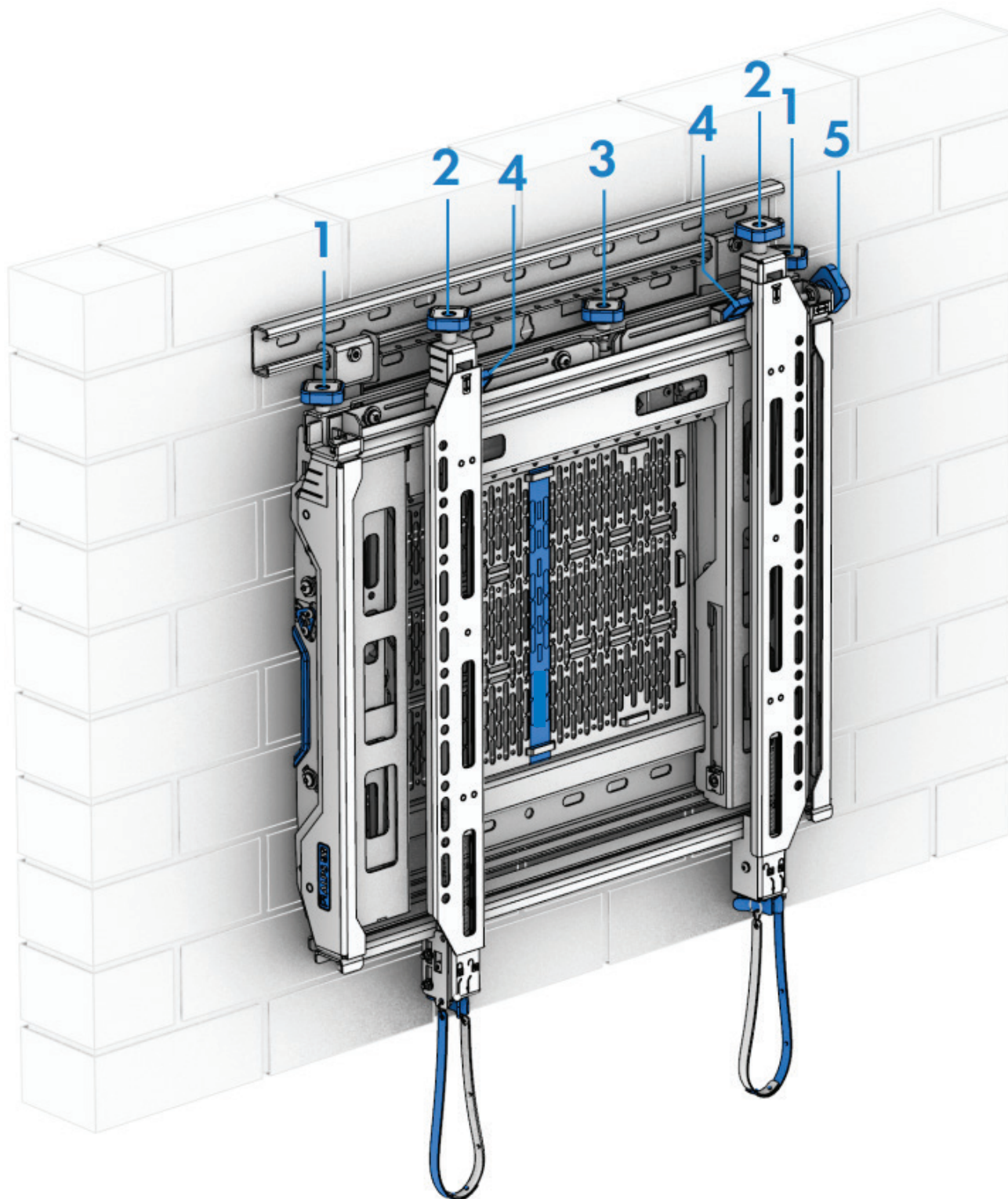
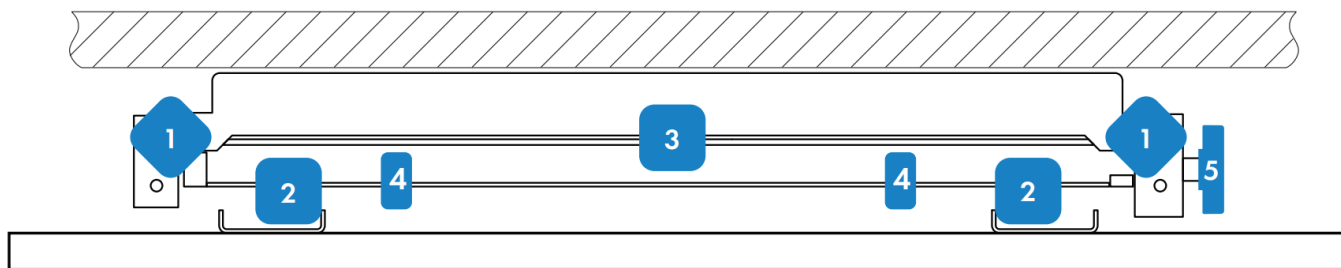


For VESA 400x600 Portrait

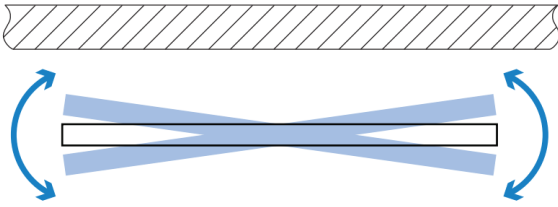
Screw Drive

OVERVIEW ADJUSTMENTS

Top view

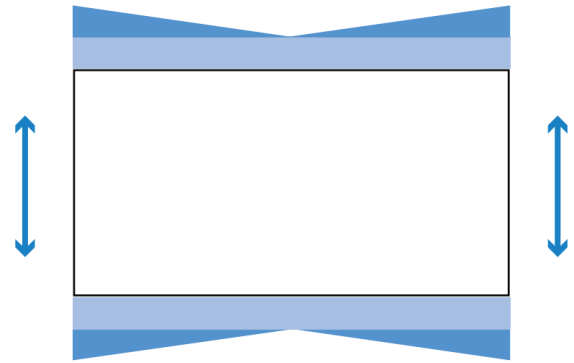


1 Left / Right in and out



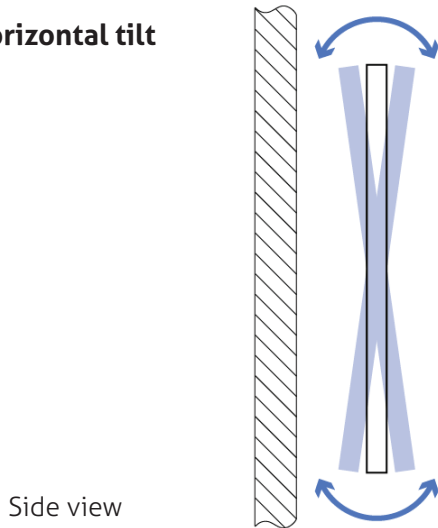
Top view

2 Up and down



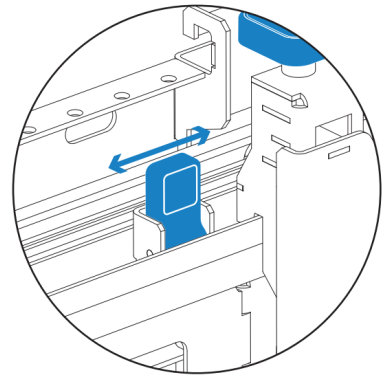
Front view

3 Horizontal tilt



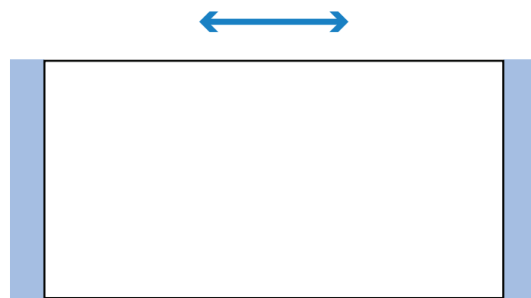
Side view

4 Left and Right (rough)



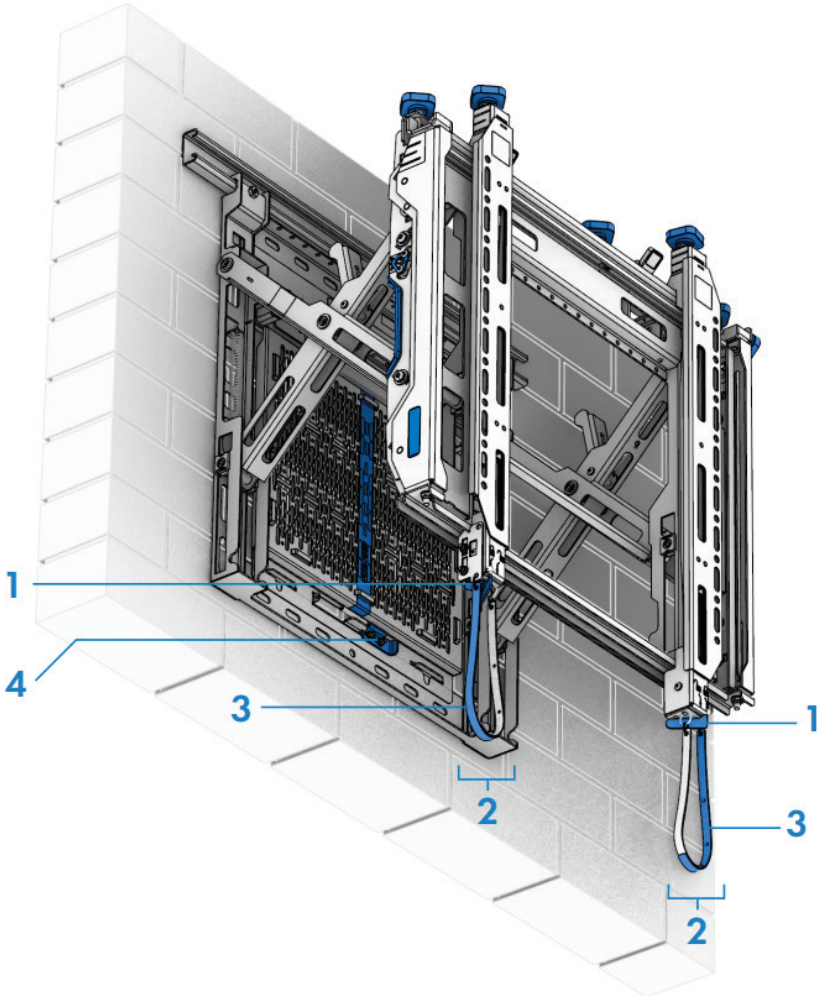
Detail view

5 Left and Right (fine)

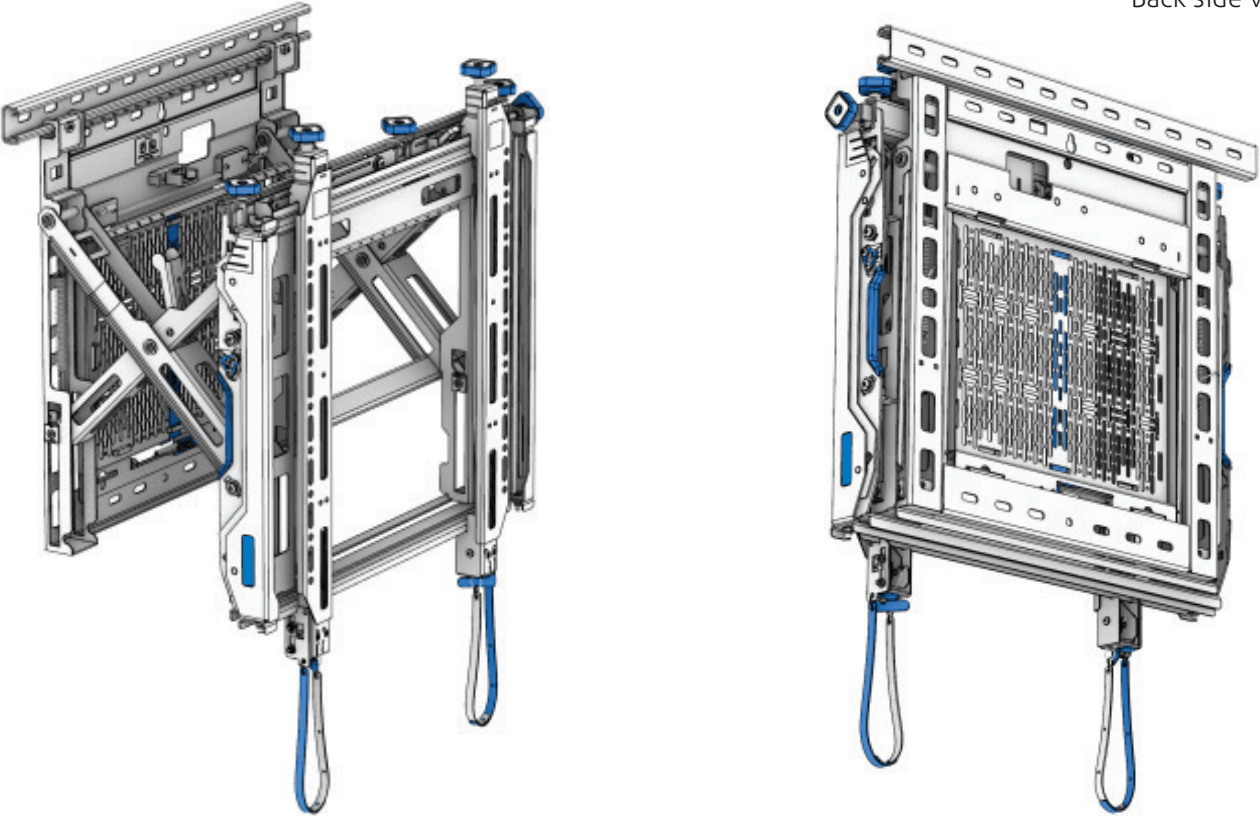


Front view

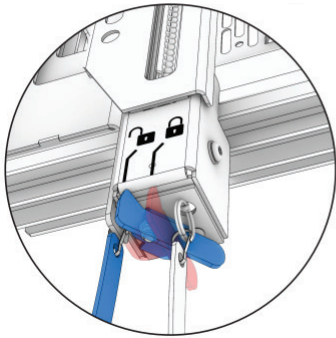
OVERVIEW FUNCTIONS



Back side view



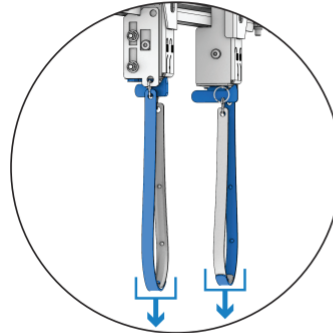
1 Unlock interface-arms twist lever to un/-lock



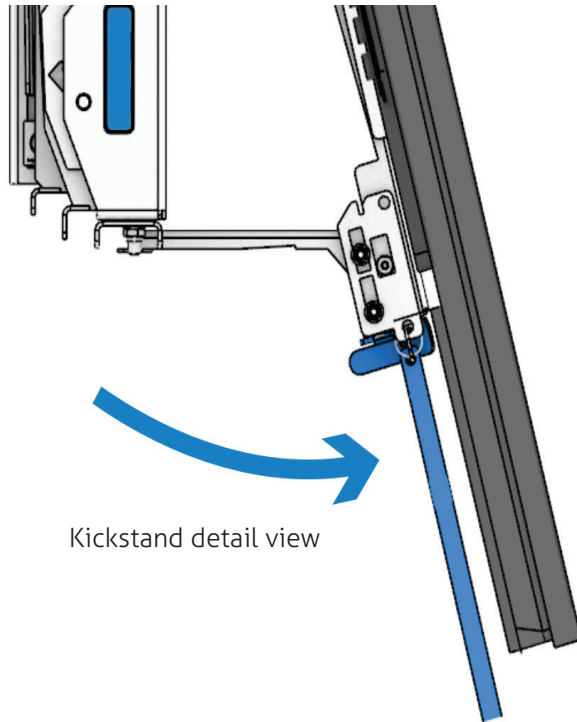
Unlock

➔ **2** or **3**

2 Kickstand position



Pull both loops to allow kickstand position



Kickstand detail view

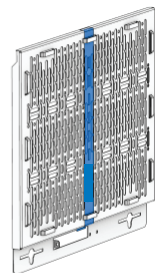
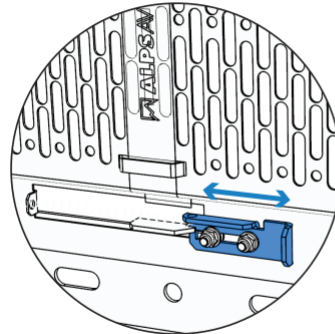
3 Interface arms removal



Pull blue sides only to unlock for removal

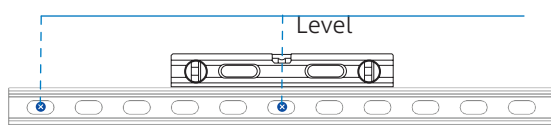


4 Unlock equipment panel



SINGLE SCREEN INSTALLATION

Step 1 Mark to drill holes and mount the C-Channel.



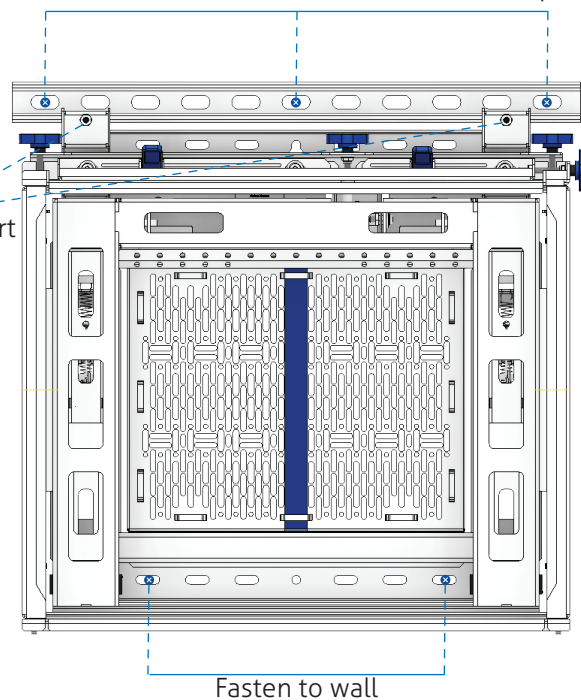
Use minimum 2 wall bolts (3 recommended) at Top and 2 wall bolts bottom of mount. Heavier screen should have 3 bolts on the top

Note

- Must use Electric Wall Scanner to locate the position of electric wires before drilling into the wall.



2xM6 thread insert

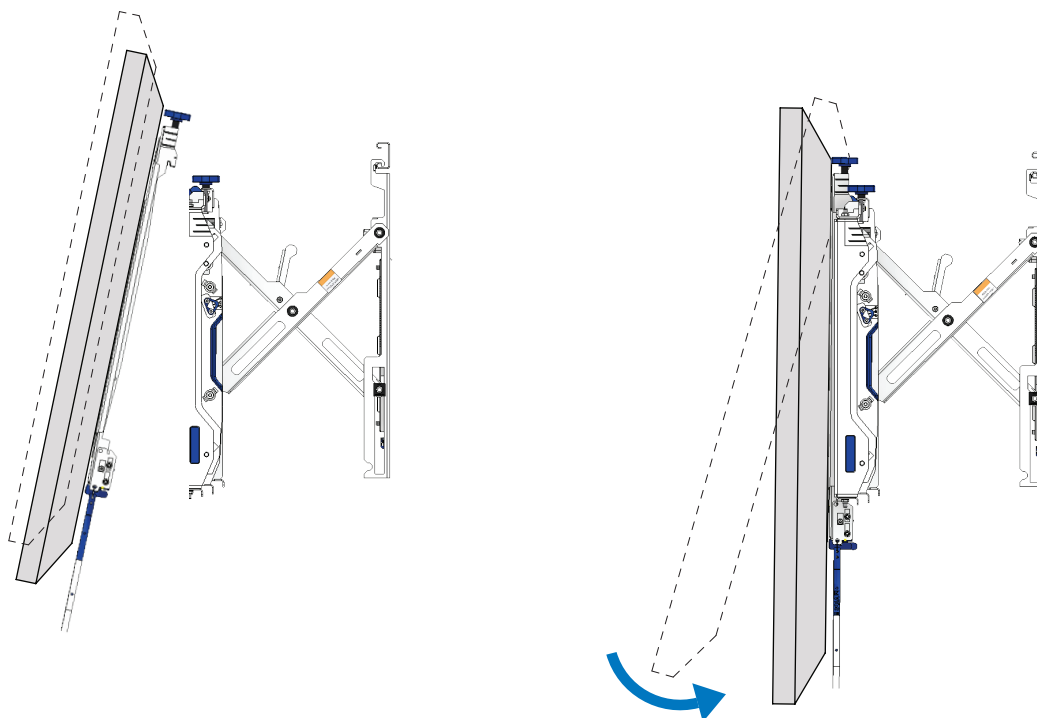


Step 2 Tighten all bolts.

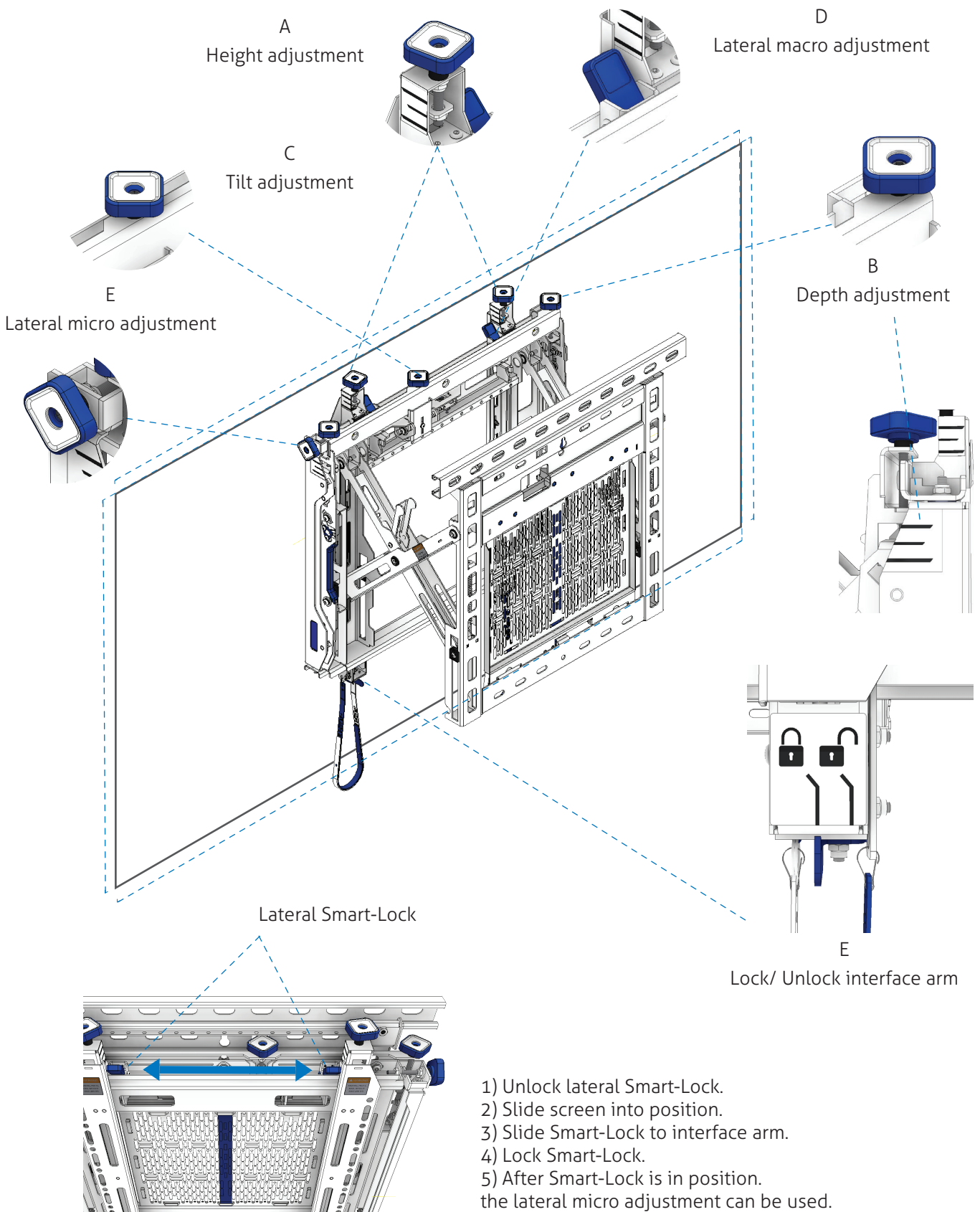
Please remember to tighten two M6 thread inserts from assembly screw kit after adjusting position.

Step 3 Extend Mount from wall.

Hook the arms onto the frame from a slight angle. Afterwards, flatten the screen onto the mount base until it clicks into position.



Step 4 Screen adjustment.

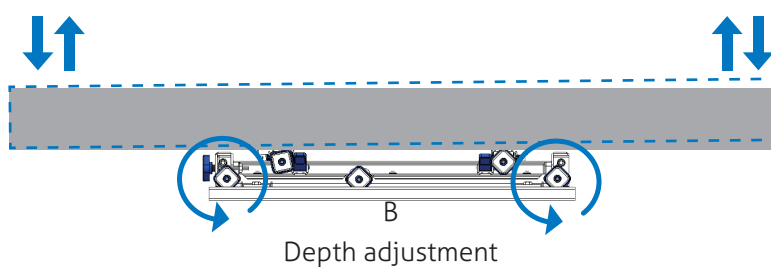
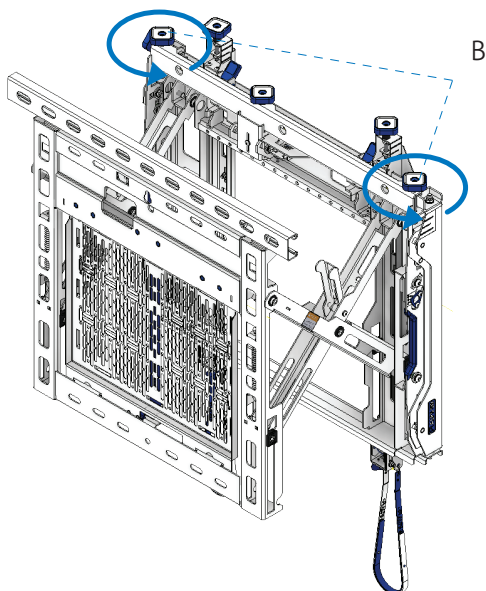
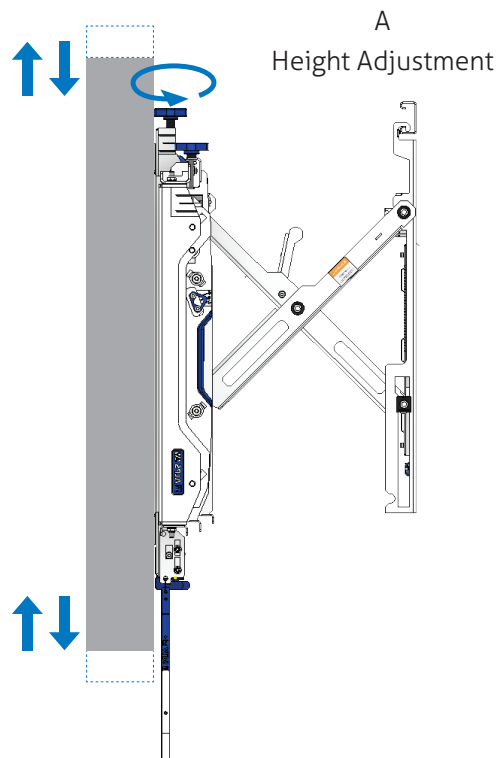
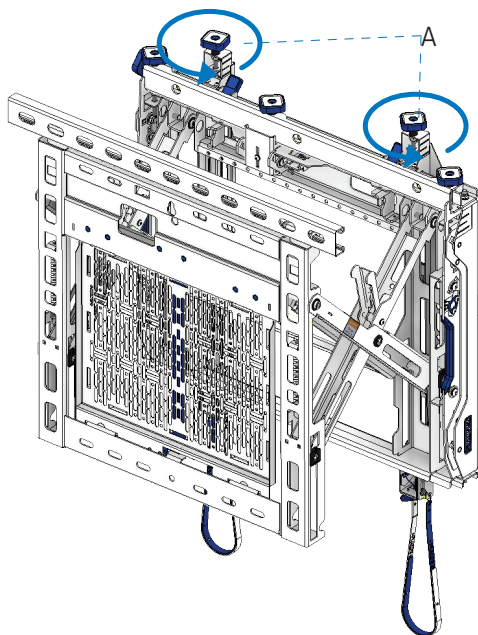


Step 5 Use level to make any needed adjustments to screen.

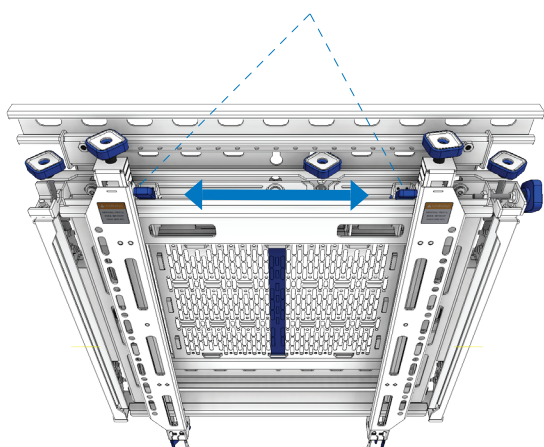
Use lock E to secure screen.

Note: Once secured, lock E must be unlocked and removed before screen is taken out.

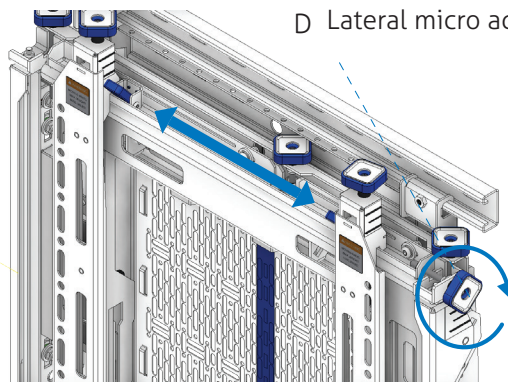
Step 6 Screen adjustment



C Lateral macro adjustment



D Lateral micro adjustment

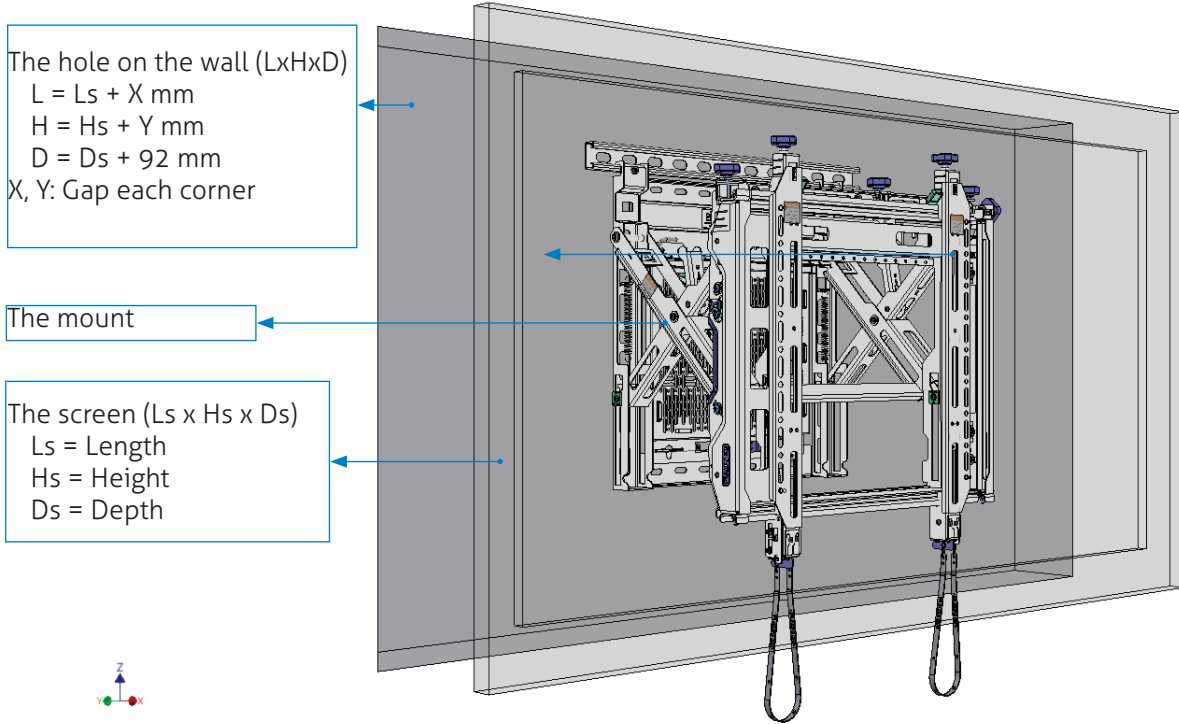


RECESS FLAT SCREEN INSTALLATION

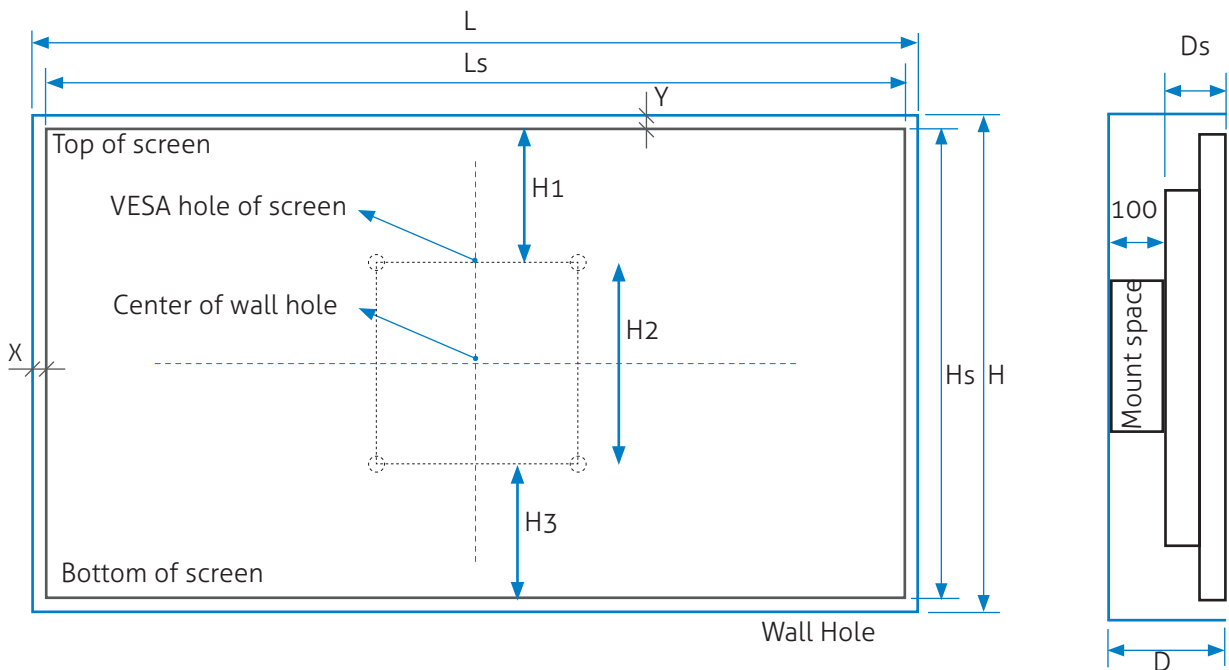
Step 1 Make a rectangular hole on the wall using the dimensions of the chosen screen by following the instructions below.

Please ensure minimum gaps between the screen and four edges of the recessed box is 2mm and that corners and four angles are 90 degrees.

Must use Electric Wall Scanner to locate the position of electric wires before drilling into the wall.



The dimension of rectangular holes on the wall need to be created based on the screen's dimensions.
 Note: Some screen manufacturers do not put the VESA holes at the center of the screen backside. Therefore, you should locate the position of back wall plate and mark the drill holes with the following instruction.



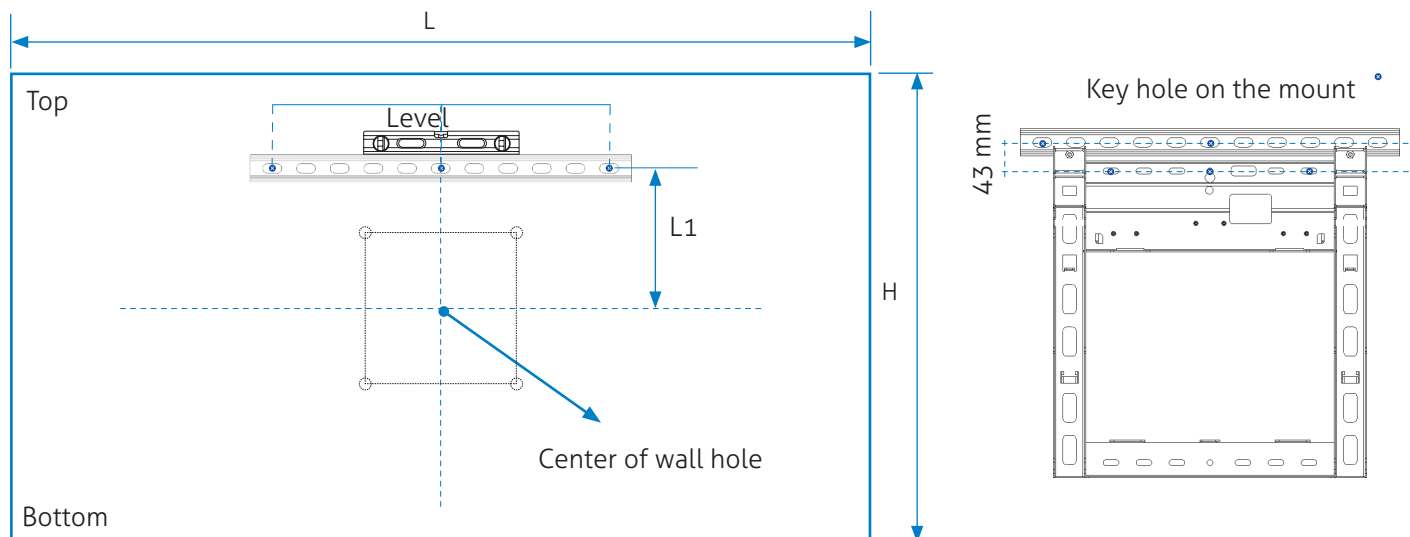
Step 2 Locate C-Channel using tape ruler and bubble level.

Important: The VESA holes position of a monitor is pre-defined by the manufacturer.

- Must use Electric Wall Scanner to locate the position of electric wires before drilling into the wall.

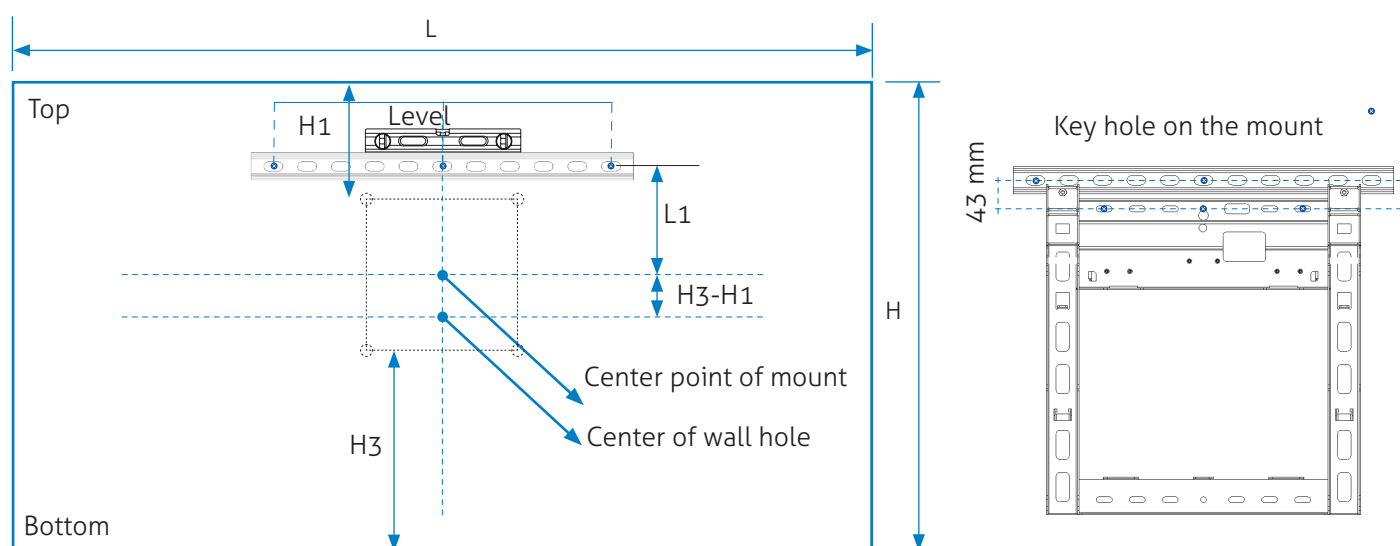
2.1 If $H1=H3$, the position of the mount will be in the middle of the recessed box.

- Locate the center of the recessed box.
- Locate the C-Channel following the below image with $L1 = 276\text{mm}$.
- The position of the hanging hole on the bracket is 43mm lower than the center position of C-channel



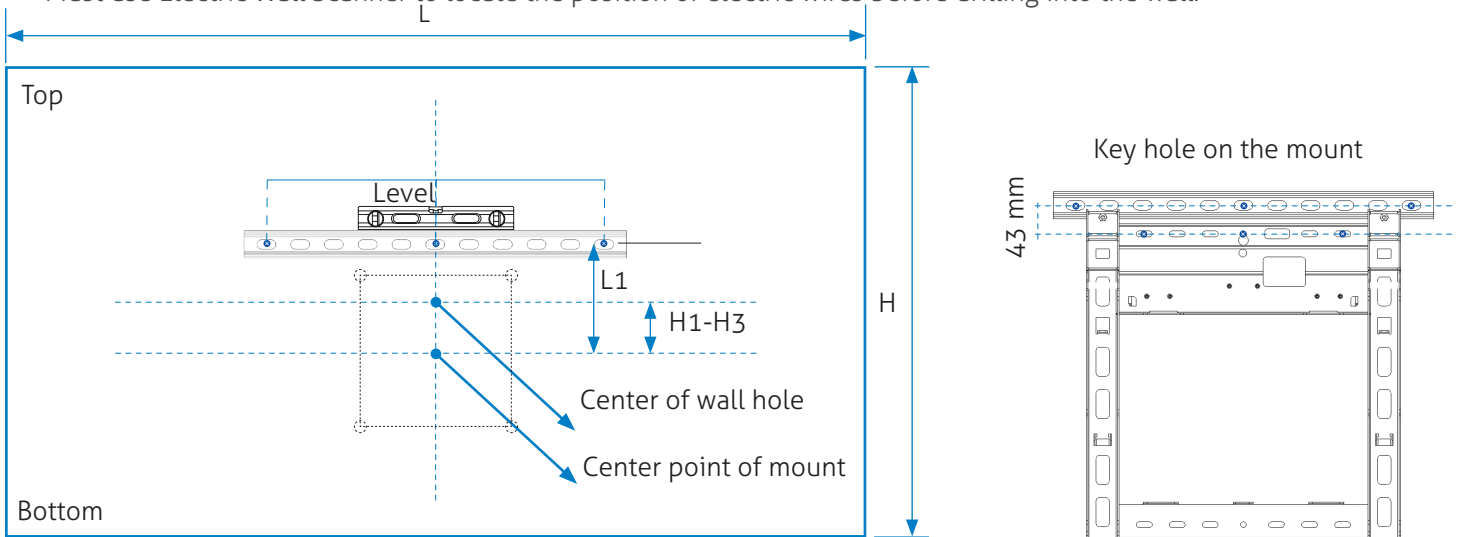
2.2 If $H1 < H3$, the center of mount will be higher than the center of the recessed box.

- Locate the new center of the mount compared to the center of the recessed box by having $H3$ minus $H1$ following the image below
- Locate the C-Channel following the below image with $L1 = 276\text{mm}$.
- The position of the hanging hole on the bracket is 43mm lower than the center position of C-channel.



2.3 If $H1 > H3$, the center of the mount will be lower than the center of the recessed box.

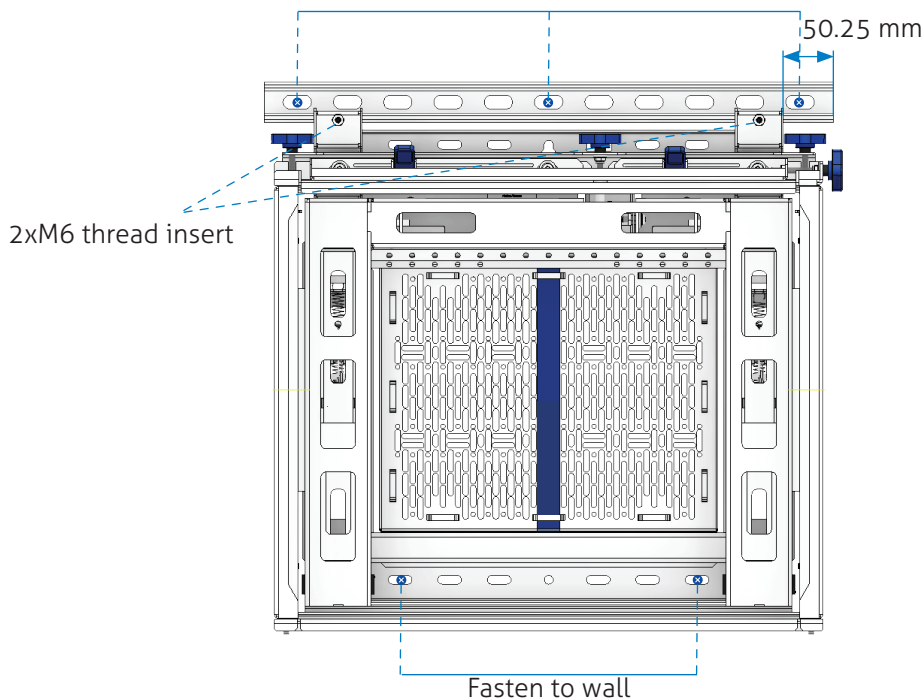
- Locate the new center of the mount compared to the center of the recessed box by having $H3$ minus $H1$ following the image below.
- Locate the C-Channel following the below image with $L1 = 276\text{mm}$.
- The position of the hanging hole on the bracket is 43mm lower than the center position of C-channel.
- Must use Electric Wall Scanner to locate the position of electric wires before drilling into the wall.



Step 3 Fix the C-Channel onto the wall.

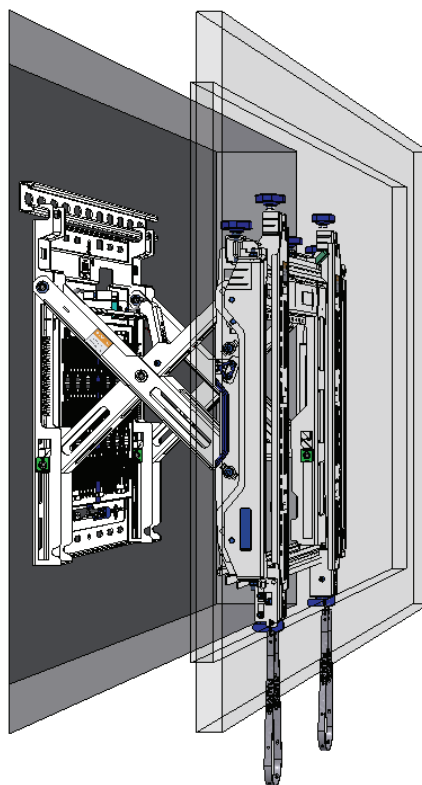
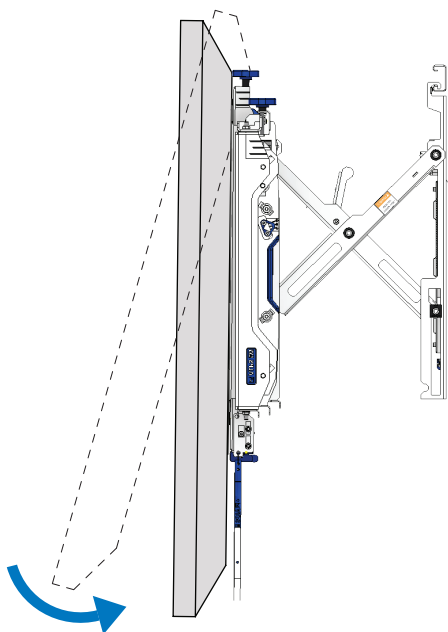
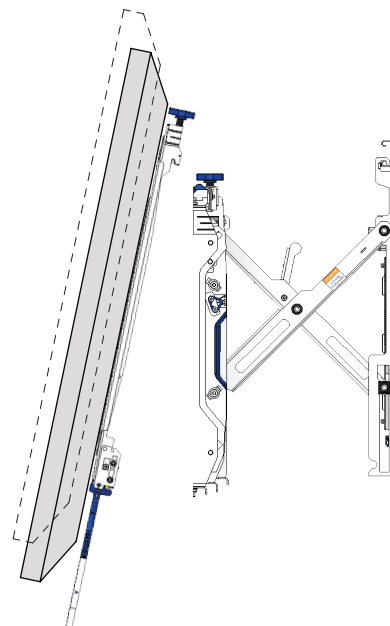
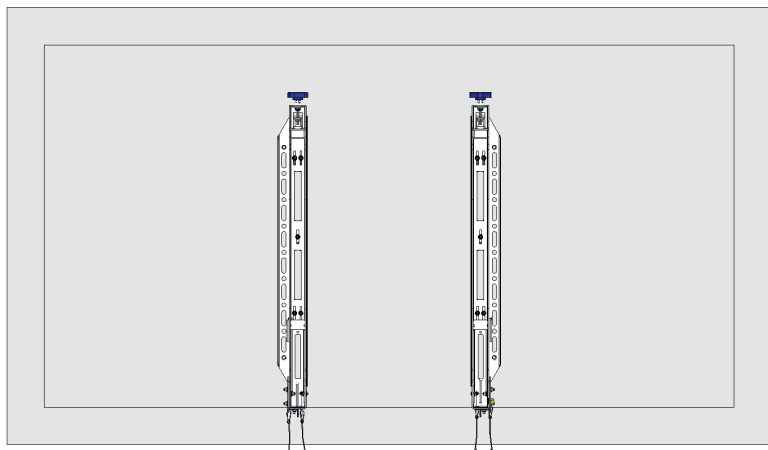
- Locate holes on the wall.
- Use the measurement in the image below to ensure the mount is at the center of the recessed box.
- Must use Electric Wall Scanner to locate the position of electric wires before drilling into the wall.

Use minimum 2 wall bolts (3 recommended) at Top and 2 wall bolts bottom of mount. Heavier screen should have 3 bolts on the top



Step 4 Extend Mount from wall and hang the screen.

- Install the interface arms according to VESA standard. Push on the mount so it extends forward in preparation for hanging the screen.
- Hook the arms onto the frame from a slight angle. Afterwards, flatten the screen onto the mount base until it clicks into position.



Step 5

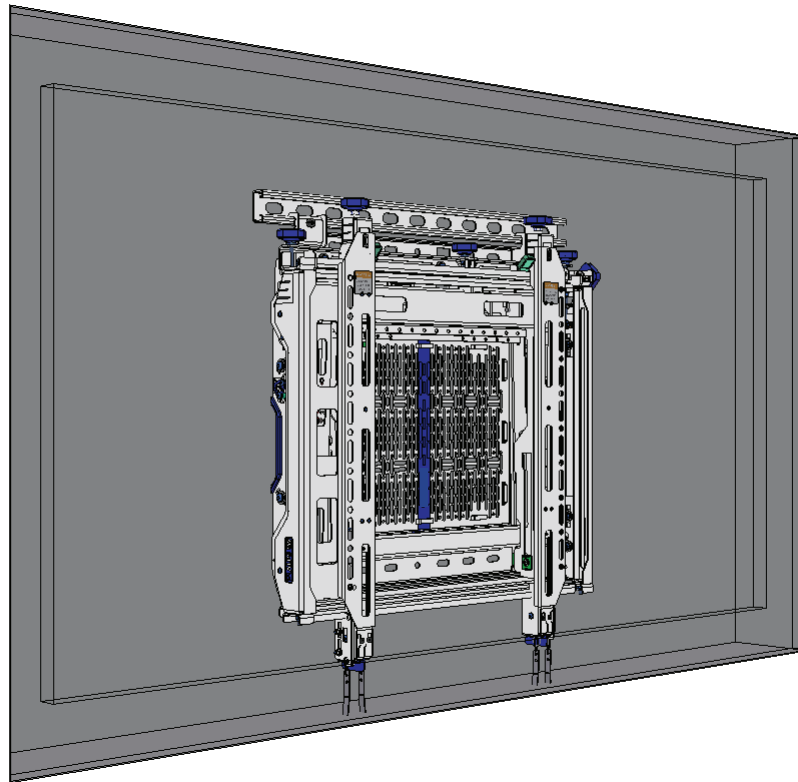
Cable management.

- All electrical wires need to be connected before moving onto adjustment.

Step 6

Align the screen.

- Slowly close the mount to check 4 corners.
- Use all handwheels to make sure the gaps between screen and the recessed box are identical
- Arrange the plastic loops before closing the mount.



Step 7

Close the mount and do the final check on every corner

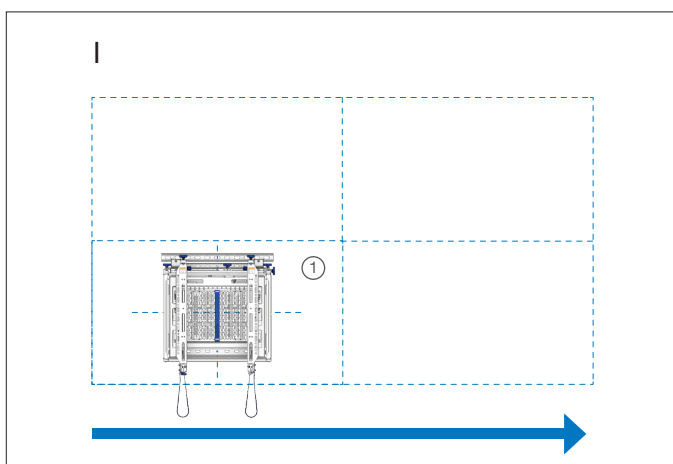
MULTI- SCREEN INSTALLATION

General recommendations

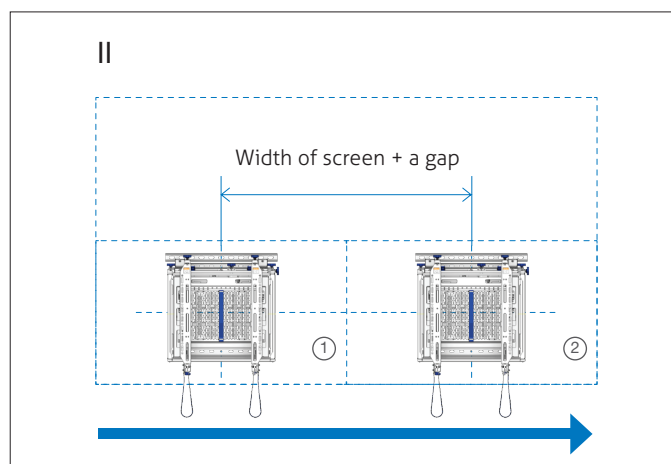
Check the wall structure to which you are mounting the product. Use a level to ensure the wall is flat and take note of any areas of concern. Use washers, shims, or spacers between the wall and the mount to create a flat surface for mounting. A flat mount will make adjustments much easier and faster when aligning screens.

Note: The AlpsAV Soft-Touch Mount is ONLY suitable for installation perpendicular or slightly angled to the floor in portrait or landscape orientation. It is NOT suitable for overhead mounting.

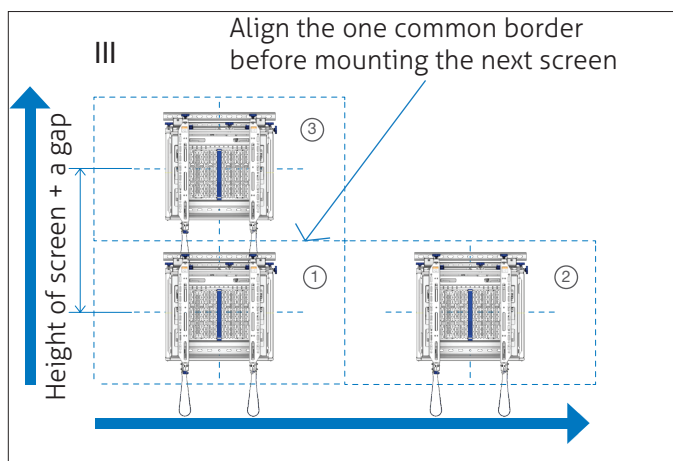
We recommend that the video wall installation starts from a corner. For example here, start at the left bottom and then add the screens row by row, align them as you build. Also, make sure depth and lateral micro adjustments are centered before installation, making alignment quicker and easier.



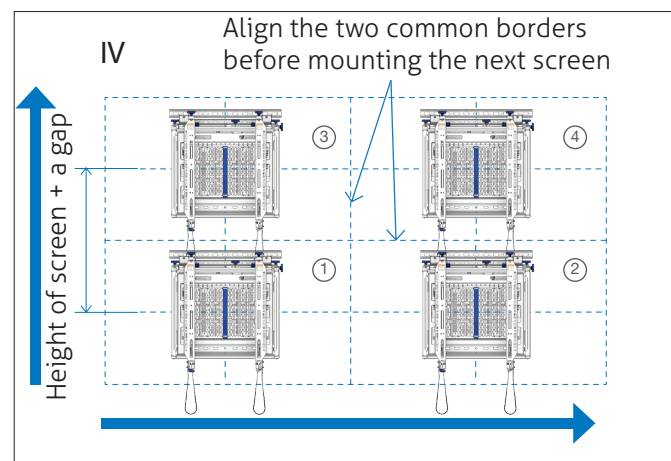
Always start from the bottom corner of the video wall configuration.



Width of screen determines the center-to-center distance for next horizontal mount location.



Height of screen determines center-to-center distance for next vertical mount location.



Build Horizontally first then next row until all rows have been completed.

Note: Walls built from different materials require different bolts for best performance and safety. Please select suitable fixings or consult an expert for guidance.



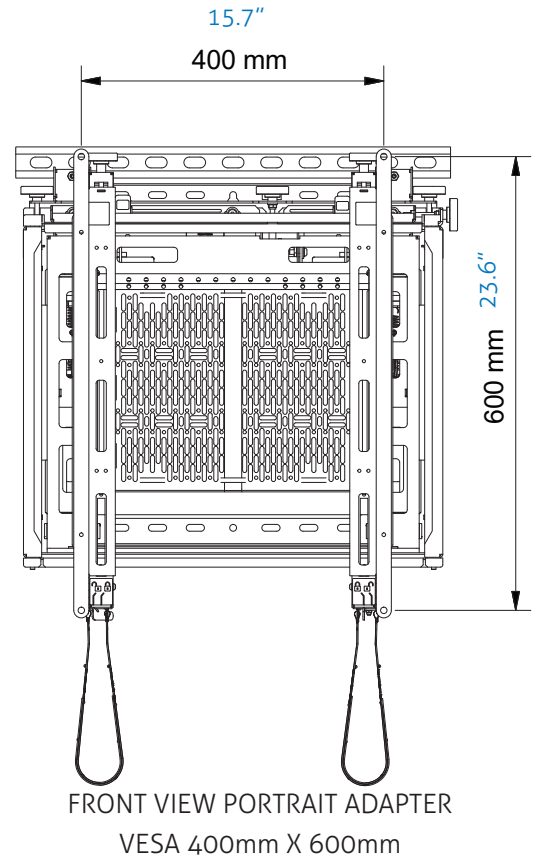
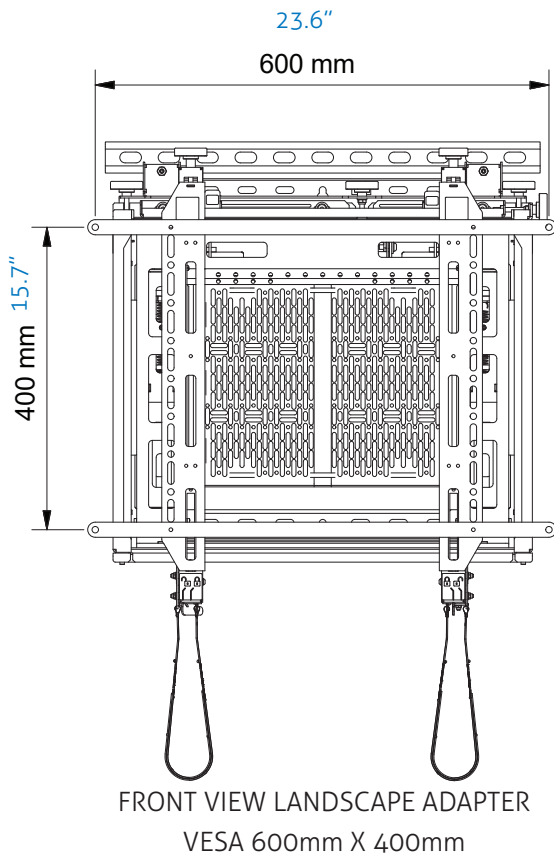
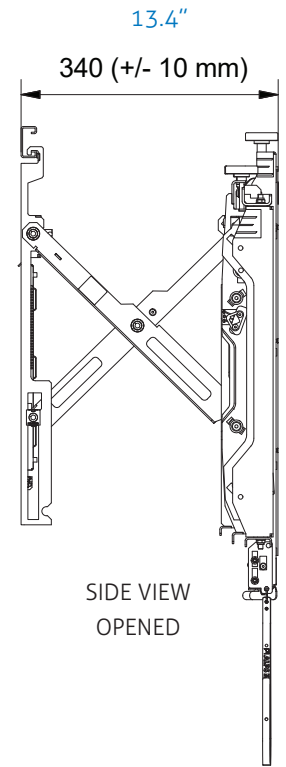
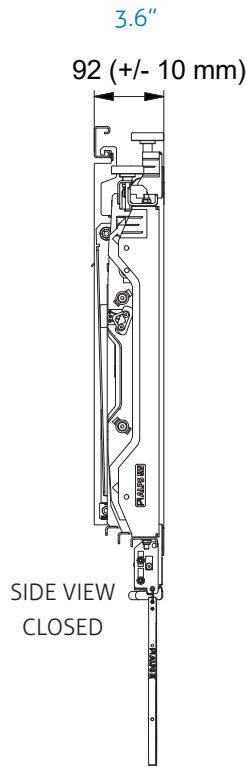
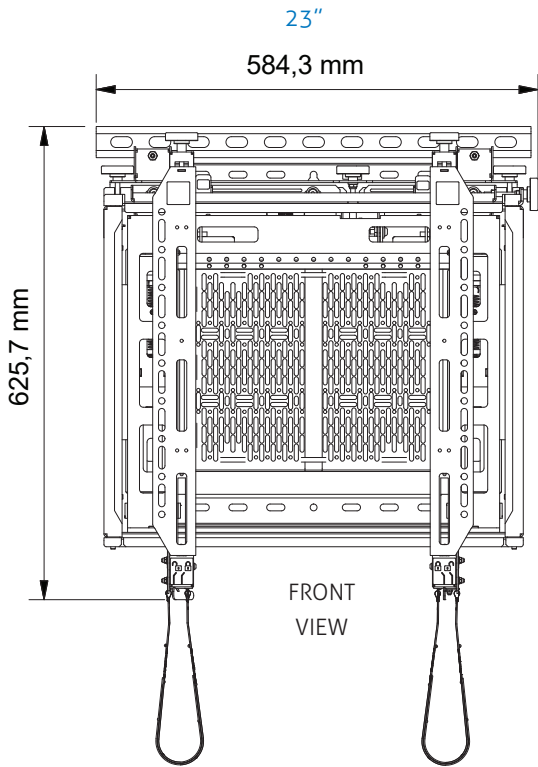
Disclaimer of Liability

PureLink GmbH will not be held liable, nor provide any warranty for damage resulting from improper installation, assembly and use of the product, or failure to observe the operating instructions and/or safety instructions.

Self help guide

| Issues | Solutions |
|-----------------------------|--|
| Motor Starts then stops | <p>Controller not remaining in correct location - if the Controller is on the edge of the light beam, as the controller moves forward and backward with the moving mount, it can move out of the beam and stop. Move the controller left and right to check the beam location. Also note, the beam moves forwards and backwards with the mount, so move controller as the screen moves.</p> <p>OR: Impact Detection is triggering. Impact detection exists but is variable depending on several factors including screen weight and size, where the impact occurs and if there is vibration. The motor will stop and when you place the controller back into the beam it will have reversed direction.</p> |
| Motor moves slowly | When first started and if not run for some time the motor might automatically calibrate its location. This is normal and once it has gone through a full cycle it will resume normal operation. |
| Motor does not start | Check there is POWER. It is common to switch off or unplug power once set-up is finished, so check power is on. Check controller is in beam and move out of beam and back into beam. |
| Handwheels are hard to turn | Are handwheels at base of screen arms loosened? If you are reaching the end of the range this will also occur. Make adjustments elsewhere to free up additional adjustment range. |
| Contact Us | <p>PureLink GmbH Von-Liebig-Str. 10 48432 Rheine Germany www.purelink.de info@purelink.de PureLink UK LTD. Carpenter Court 1 Maple Road Bramhall Stockport Cheshire SK7 2DH United Kingdom</p> |

PRODUCT DIMENSIONS



PureLink

PureLink GmbH

Von-Liebig-Str. 10
D - 48432 Rheine
Germany

+49 (0)5971 800 299-0

www.PureLink.de

PureLink UK LTD.

Carpenter Court
1 Maple Road
Bramhall, Stockport
Cheshire SK7 2DH

United Kingdom

All information without responsibility for errors in photography and typography. Specifications are subject to change without notice.

© 2023 PureLink GmbH®. All rights reserved.
All mentioned trademarks (product names, logos) and brand names are the property of their respective owners.

