

ACC-V600800



Display size  
**40"-65"**



Max load  
**125lb (56.8kg)**

# VESA® Adaptor Bracket

For 600 x 400 and 800 x 400mm Mounting Patterns

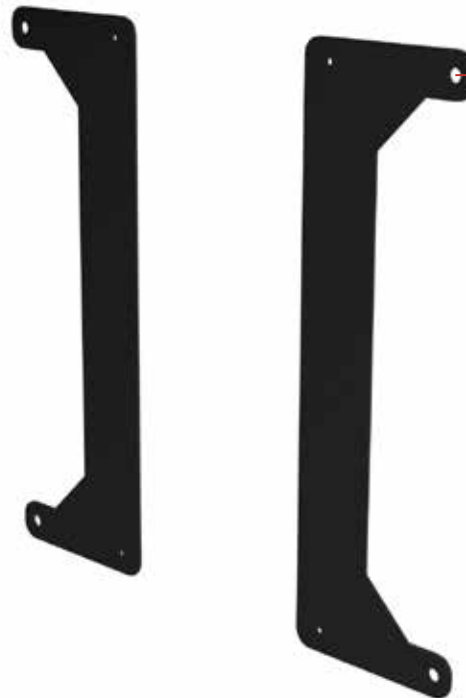
Increase your mounts' compatibility with the ACC-V600800 Adaptor Bracket by Peerless-AV. This low cost adaptor rail solution accommodates displays with VESA® 600 x 400 or 800 x 400mm mounting patterns. This adaptor bracket reduces the width of the mounting pattern by 200mm if mount compatibility is an issue. The ACC-V600800's ultra thin design minimizes the overall install depth by only adding .10" to the back of the display.

*ACC-V600800's ultra thin design helps minimize the overall install depth, adding only .10" to the display.*



## Additional Features

- ✓ Adaptor plate solution for displays with VESA® 600 x 400 or 800 x 400mm mounting pattern
- ✓ Reduces the width of the display mounting pattern by 200mm
- ✓ Ultra thin design adds only 0.10" to the display
- ✓ Compatible with Peerless-AV mounts that have a vertical mounting pattern of 400mm



**INCREASED COMPATIBILITY**  
Reduces the VESA® pattern by 200mm making it compatible with narrower mounts



info@peerless-av.com  
peerless-av.com

peerless-AV®

<b>ACC-V600800</b>	VESA® Adaptor Bracket for 600 x 400 and 800 x 400mm Mounting Patterns
--------------------	---

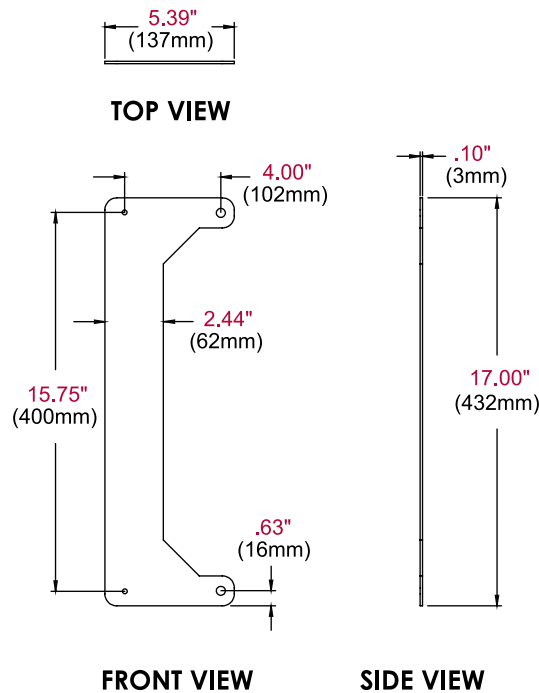
**Product Specifications**

	DIMENSIONS (W x H x D)	PRODUCT WEIGHT	LOAD CAPACITY	FINISH	AVAILABLE COLORS
<b>ACC-V600800</b>	5.39" x 17.00" x 0.10" (137 x 432 x 3mm)	3.1lb (1.4kg)	125lb (56.8kg)	Matte	Black

**Package Specifications**

	PACKAGE SIZE (W x H x D)	PACKAGE SHIP WEIGHT	PACKAGE UPC CODE	PACKAGE CONTENTS	UNITS IN PACKAGE
<b>ACC-V600800</b>	20.50" x 10.00" x 1.75" (521 x 254 x 44mm)	3.9lb (1.8kg)	735029304524	Adaptor rails and mounting hardware	1

All dimensions = inch (mm)



**Architect Specifications**

The VESA® Adaptor Bracket for 600 x 400 and 800 x 400mm Mounting Patterns shall be a Peerless-AV model ACC-V600800 and shall be located where indicated on the plans. Assembly and installation shall be done according to instructions provided by the manufacturer.

Visit [peerless-av.com](http://peerless-av.com) to see the complete line of AV solutions from Peerless-AV, including outdoor displays, wireless, kiosks, digital audio, display mounts, projector mounts, carts/stands, and a full assortment of accessories.

**Peerless-AV**  
 2300 White Oak Circle  
 Aurora, IL 60502 USA  
**(800) 865-2112**  
**(630) 375-5100**  
**Fax: (800) 359-6500**

**Peerless-AV Europe**  
 Unit 3 Watford Interchange  
 Colonial Way, Watford  
 Herts, WD24 4WP  
 United Kingdom  
**+44 (0) 1923 200100**  
**Fax: +44 (0) 1923 200101**

**Peerless-AV de México**  
 Unit 3 Watford Interchange  
 Ave de las Industrias 413  
 Parque Industrial Escobedo  
 Escobedo, N.L.,  
 Mexico 66050  
**+52 (81) 8384-8300**  
**Fax: +52 (81) 8384-8360**

