

Overview

A studio-quality condenser microphone.



Features

- Iconic and stylish design
- Studio-quality condenser microphone
- Cardioid polar pattern
- XLR connection

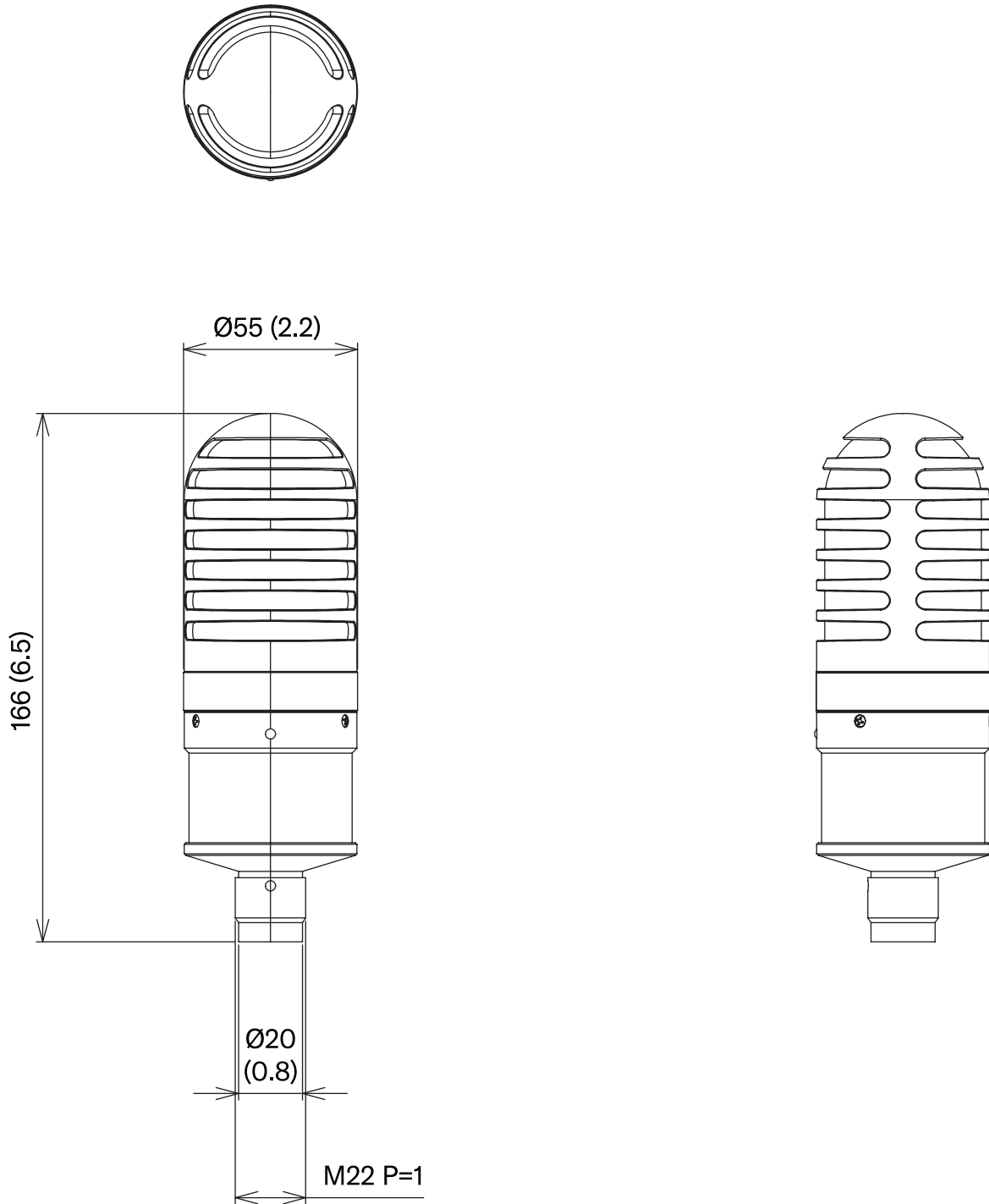
Specifications

General Specifications

Microphone Unit	Back electret condenser type
Polar Pattern	Cardioid
Address Type	Side
Frequency Response	30 Hz - 20 kHz
Max Input SPL	130 dB (THD \leq 1.0% at 1 kHz)
Sensitivity	-37 dB \pm 3 dB (0 dB=1 V/Pa, at 1 kHz)
Connector	XLR
Dimensions (Microphone Only)	ϕ 55 x 166 mm (ϕ 2.2" x 6.5")
Weight (Microphone Only)	0.4 kg (0.9 lbs)
Included Accessories	Microphone stand adaptor x 1, Microphone pouch x 1, Owner's manual, Technical specifications

Dimensions

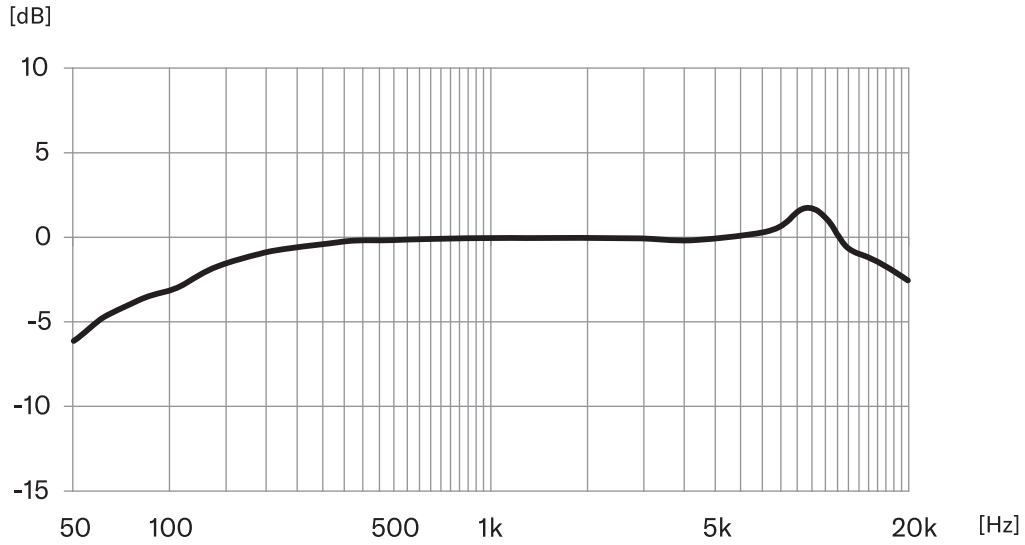
Unit: mm (inch)



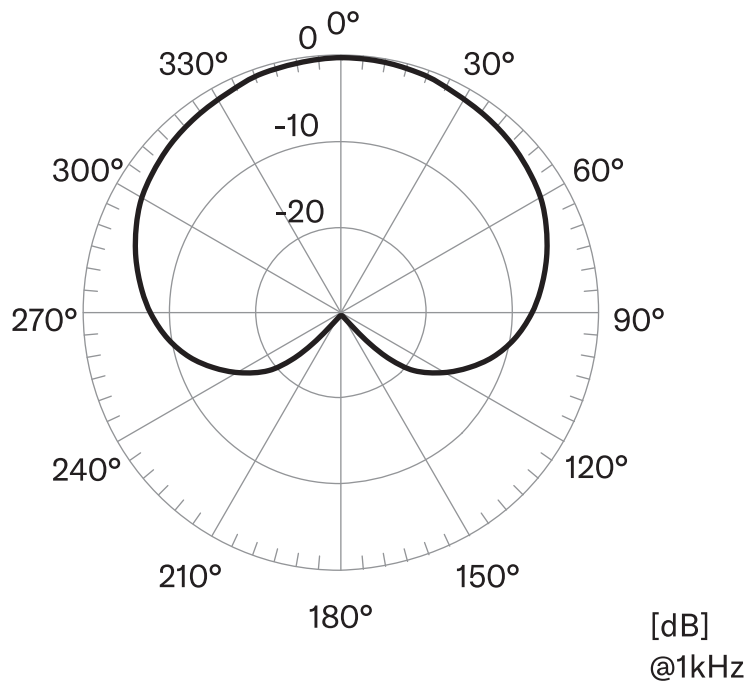
Architectural and Engineering Specifications

The Yamaha YCM01 shall be a Condenser Microphone suitable for a wide range of applications such as live streaming, gaming voice chat, musical performance, and recording/production. The YCM01 shall be a back-electret condenser type with a side-address cardioid pickup pattern. Frequency response shall be 30 Hz to 20,000 Hz, maximum input SPL shall be 130 dB (with 1.0% THD or less at 1 kHz), and sensitivity shall be -37 dB \pm 3 dB (0 dB = 1V/Pa, at 1 kHz). The YCM01 shall be provided with an XLR type connector for balanced connection. Weight shall be 0.4 kg.

Frequency Response



Polar Plots



*All information subject to change without notice.
*All trademarks and registered trademarks are property of their respective owners.
Created in May, 2022