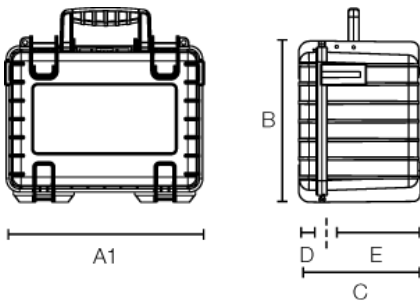




## B&W OUTDOOR.CASE TYP 2000

Artikelnummer: 2000/B/SI

- +
extremely robust
+
30-year warranty
- +
waterproof (IP67 certified)
+
temperature stable
- +
dustproof
+
stackable
- +
two eyelets for padlocks (Ø 0.2 inch)
+
easy-open locks
- +
rubberized handle
+
airworthy



A (A1):	<b>270 mm</b>
B:	<b>215 mm</b>
C:	<b>165 mm</b>
A (A1) innen:	<b>250 mm</b>
B innen:	<b>175 mm</b>
C innen:	<b>155 mm</b>
D (Deckel) innen:	<b>25 mm</b>
E (Boden) innen:	<b>130 mm</b>

### Produkteigenschaften

Volume (l)	6.6
Certificates	IP67 UN 3480-81 UN 3090-91 STANAG 4280 MIL-STD-801G DEF STAN 81-41 ATA 300
Possible configurations	pre-cut foam (SI) padded dividers (RPD) empty
Material	PP



B&W International GmbH | Junkendiek 5 | D-49479 Ibbenbüren  
Fon + 49 (0) 54 51 / 89 46-0 | Fax + 49 (0) 54 51 / 89 46-444 | info@b-w-international.com

[www.b-w-international.com](http://www.b-w-international.com)