

ACC-V600X



VESA®
Up to
600 x 400mm

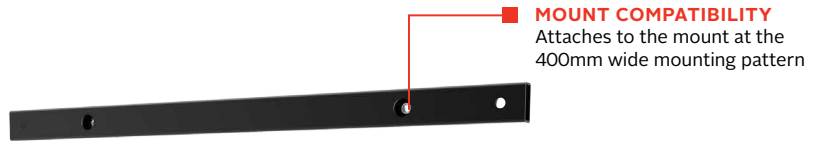


Max load
130lb (59kg)

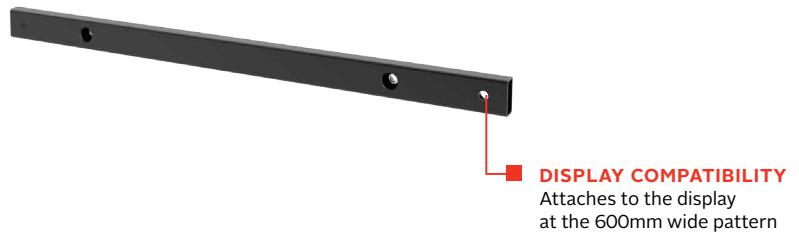
Accessory Adaptor Rails

For VESA® 600 x 400mm mounting pattern

Increase your mounts' compatibility with the ACC-V600X by Peerless-AV®. This low cost adapter rail solution, for displays with VESA® 600 x 400mm mounting pattern, allows the display to be mounted in either landscape or portrait orientation by attaching to the mount at the 400 x 400mm pattern.



MOUNT COMPATIBILITY
Attaches to the mount at the
400mm wide mounting pattern



DISPLAY COMPATIBILITY
Attaches to the display
at the 600mm wide pattern

- Adaptor rail solution for displays with 600 x 400mm mounting pattern
- Attaches to mounts with a VESA® 400 x 400mm mounting patterns
- Allows the display to be mounted in portrait or landscape
- Security hardware deters tampering and theft



Shown with DS-VW775 Mount (sold separately)



ACC-V600X Accessory Adaptor Rails for VESA® 600 x 400mm mounting pattern

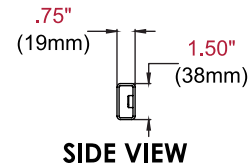
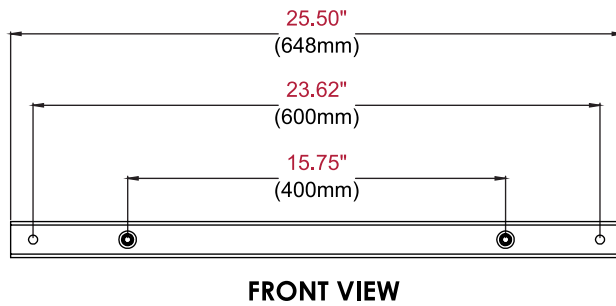
Product Specifications

	DIMENSIONS (W x H x D)	PRODUCT WEIGHT	LOAD CAPACITY	FINISH	AVAILABLE COLORS
ACC-V600X	25.50" x 0.75" x 1.50" (648 x 19 x 38mm)	5.6lb (2.5kg)	130lb (59kg)* *Be careful not to exceed the max load of the mount	Powder Coat	Black

Package Specifications

	PACKAGE SIZE (W x H x D)	PACKAGE SHIP WEIGHT	PACKAGE UPC CODE	PACKAGE CONTENTS	UNITS IN PACKAGE
ACC-V600X	28.50" x 4.25" x 4.25" (724 x 108 x 108mm)	4.8lb (2.2kg)	735029321583	Adaptor Rails and Mounting Hardware	1

All dimensions = inch (mm)



Architect Specifications

The Accessory Adaptor Rails shall be a Peerless-AV model ACC-V600X and shall be located where indicated on the plans. Assembly and installation shall be done according to instructions provided by the manufacturer.

Visit peerless-av.com to see the complete line of AV solutions from Peerless-AV, including outdoor displays, wireless, kiosks, digital audio, display mounts, projector mounts, carts/stands, and a full assortment of accessories.

Peerless-AV
2300 White Oak Circle
Aurora, IL 60502 USA

(800) 865-2112
(630) 375-5100
Fax: (800) 359-6500

Peerless-AV EMEA
Unit 3 Watford Interchange
Colonial Way, Watford
Herts, WD24 4WP
United Kingdom
+44 (0) 1923 200100
Fax: +44 (0) 1923 200101

Peerless-AV Latin America
Ave de las Industrias 413
Parque Industrial Escobedo
Escobedo, N.L.,
Mexico 66062
+52 (81) 8384-8300
Fax: +52 (81) 8384-8360

