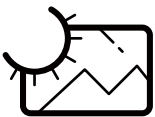


DS SERIES

DS752LT5

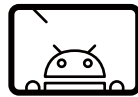
75" Ultra HD High Brightness 4,500 Nits Digital Signage



**SUNLIGHT
VIEWABLE IMAGE**



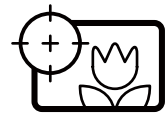
**ULTRA HD
4K RESOLUTION**



**BUILT-IN
MEDIA PLAYER**



**THERMAL
MANAGEMENT**



**TRUECOLOR™
CALIBRATED**

FOR MORE INFORMATION

For more information about DynaScan, visit our site at www.dynascandisplay.com. Copyright © DynaScan Technology Inc. All rights reserved. All specifications and descriptions are subject to change without notice. Reproduction without permission is prohibited.

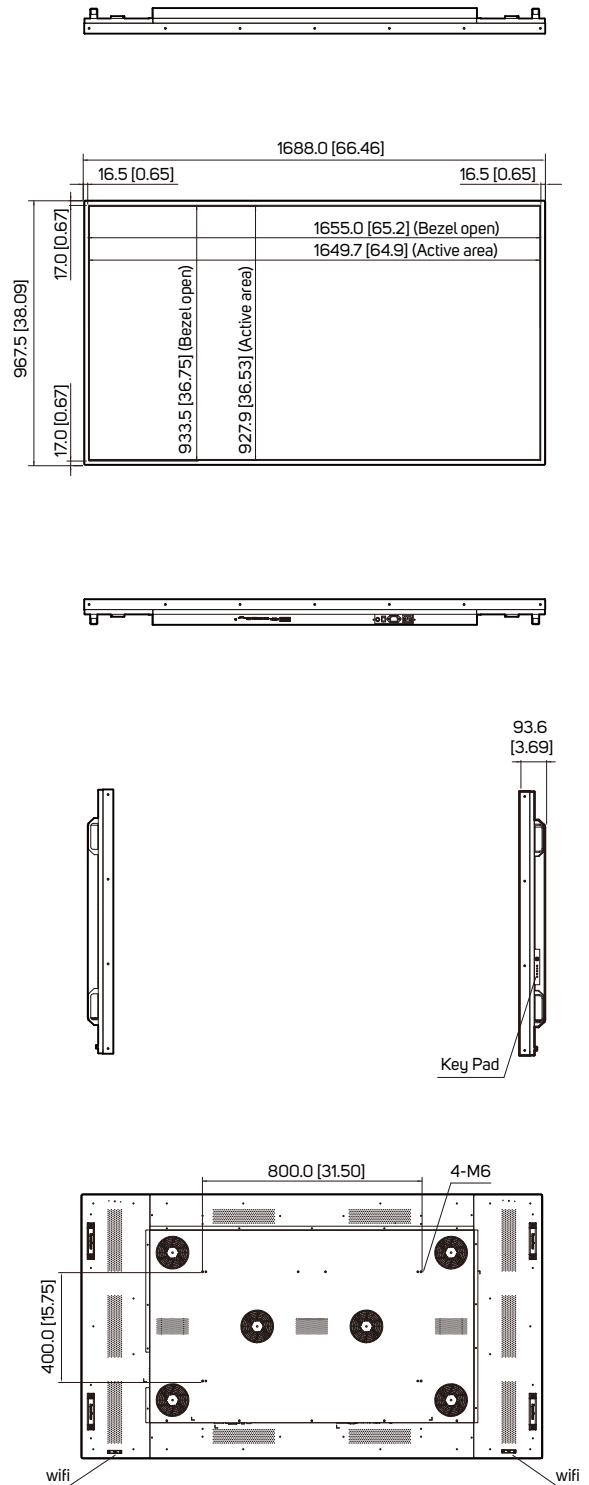
DynaScan

SPECIFICATION

| | | |
|-----------------------------|--------------------------------|---|
| MODEL | DS752LT5 | |
| PANEL | LCD Panel Type | 74.52 inches LCD |
| | Native Resolution | 3840 x 2160 |
| | Backlight | LED |
| | Default Color Temperature | D65 (6500 K) |
| | Brightness | 4,500 nits |
| | Color Depth | 10 bits |
| | Contrast Ratio | 3000 : 1 |
| | Response Time | 8 ms |
| | Viewing Angle (H/V) | 178° / 178° |
| | Light Life Time (Typ.) | 100,000 hrs |
| POWER | Panel Surface | AG Haze 3%, 2H |
| | Blackening Defect Free | Up to 110°C (230°F) |
| | Viewable With Polarized Lenses | Yes |
| POWER | Power Supply | Internal |
| | Rated Voltage | 100-240V ~ 50/60Hz |
| | Power On Mode (Typ./ Max.) | 420 W / 800 W [TBC] |
| MECHANICAL SPECS | Power Saving Mode | < 1 W |
| | AC out | < 100 W |
| | Bezel Width (T/B/L/R) | 17.0 / 17.0 / 16.5 / 16.5 mm |
| | Cabinet Color | Black |
| | Monitor Dimension (LxHxD) | 1688 x 967.5 x 93.6 mm |
| | Monitor Weight | 58kg |
| | Orientation | Portrait / Landscape |
| | VESA Mounting (LxH) | 800 x 400 mm |
| | Carring Handles | Yes |
| | USER INTERFACE | Language |
| Support SNMP (Up to V3.0) | | Yes |
| Dimming Control | | Yes |
| Proof of Image Retention | | Yes |
| Auto Orientation Sensor | | Yes |
| Ambient Light Sensor | | Yes |
| Power On/Off Scheduling | | Yes |
| Internal Temperature Sensor | | Yes |
| OSD Menu Rotation | | Yes |
| INPUT | | HDMI |
| | Display Port | x1 |
| | USB | x1 (USB3.0) |
| | Micro SD Slot | x1 |
| OUTPUT | Audio | x1 |
| | RS-232 | In x1 |
| EXTERNAL CONTROL | RJ-45 | x2 (LAN) |
| | Operating System | Android 8.0.0 |
| INTERNAL PLAYER | Processor | Dual-core A73 and dual-core A53 |
| | Clock speed | 1.5GHz |
| | Main memory interface | DDR4, 2G |
| | Graphics | Quad-core MaliG51 |
| | Storage | Internal: 16GB eMMC Flash External: Support Micro SD , Up to 32GB(exFAT) /128GB(FAT32) |
| | Multimedia | 4K 10bits VP9/H265/H264 video decoders, up to 60fps 1080P other video decoders (VC-1, MPEG-1/2/4, VP8) |
| | Wi-Fi Specification | 802.11 b/g/n 2412.0MHz - 2462.0MHz |
| | Operating Temperature | 0° C ~ 45° C |
| | Storage Temperature | -20° C ~ 60° C |
| | Humidity | 10% ~ 80% RH Non-condensing |
| CERTIFICATION | CE / FCC / RoHS | |

DIMENSIONS

Unit: mm [inch]



INTERFACE

