

IMAM
IMAL



Max Load
225lb (102kg)

I-Beam Mount

FOR DIGITAL SIGNAGE DISPLAYS

The Peerless-AV® I-Beam Mount is the perfect solution for securing displays to various sized I-beams, both indoors and outdoors. This product can be used in indoor manufacturing applications looking to create digital dashboards on the production floor to display KPI reporting, Six Sigma initiatives, or even branded content during customer visits. The mount's corrosion resistant design allows for outdoor use in stadiums, arenas, or parking garages with limited wall mounting space.

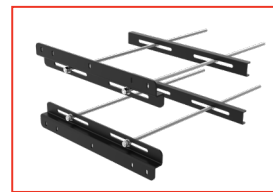
- IMAM designed for up to 12" wide beams
IMAL designed for 12" to 24.5" wide beams
- Corrosion resistant design
- Supports both landscape and portrait mounting solutions
- Includes adaptors, threaded rod and mounting hardware for the selected wall mount
- Compatible with the following Peerless-AV® Wall Mount Models:

Indoor:

SF630, SF632, SF640, SF650, SF660
ST630, ST632, ST640, ST650, ST660
SP730P, SP740P, SP746PU
SA730P, SA740P, SA746PU
PF630, PF632, PF640, PF650, PF660
PT630, PT632, PT640, PT650, PT660
PP730P, PP740P
PA730P, PA740P, PA746P

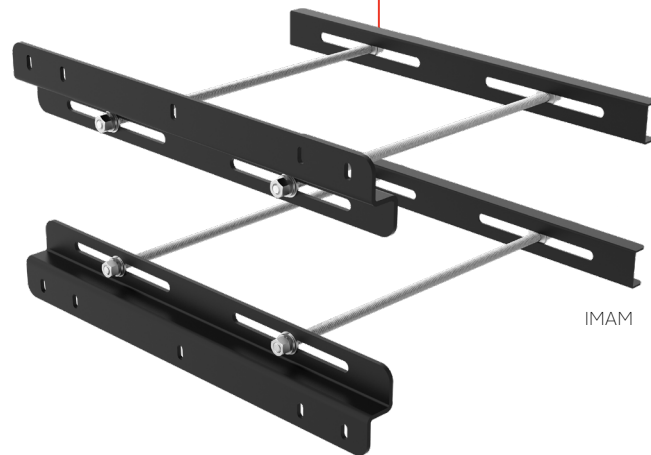
Outdoor:

EPT640, EPT650, EWMU,
ESF655P, EST655P



**CUT-TO-LENGTH
THREADED RODS**

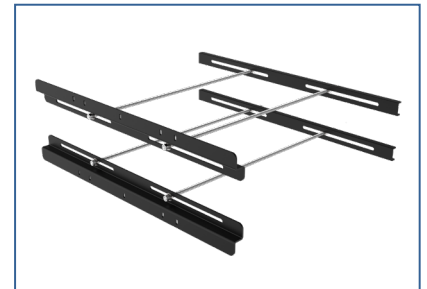
Threaded rods (included) can be cut-to-length to accommodate a variety of I-beam depths



IMAM



Shown with ST650



IMAL

RoHS
PROOF

Please visit peerless-av.com/en-us/patents for patent information.

✉ info@peerless-av.com

🌐 peerless-av.com

peerless-AV®
Driving Technology Through Innovation

IMAM	I-Beam Mount for Digital Signage Displays (for up to 12" wide beams)
IMAL	I-Beam Mount for Digital Signage Displays (for 12" to 24.5" wide beams)

Product Specifications

	DIMENSIONS (W x H x D)	PRODUCT WEIGHT	LOAD CAPACITY	FINISH	AVAILABLE COLORS
IMAM	18.00" x 9.15" x 3.00"-12.00" (457 x 232 x 76-305mm)	12.2lb (5.5kg)	225lb (102kg)	Powder Coat	Black
IMAL	31.00" x 9.15" x 12.00"-24.50" (787 x 232 x 305-622mm)	17.5lb (7.9kg)			

Package Specifications

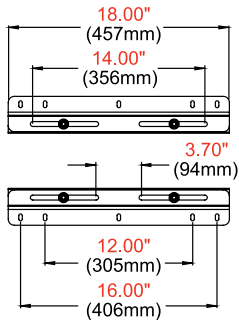
	PACKAGE SIZE (W x H x D)	PACKAGE SHIP WEIGHT	PACKAGE UPC CODE	PACKAGE CONTENTS	UNITS IN PACKAGE
IMAM	28.00" x 3.50" x 3.50" (711 x 89 x 89mm)	17.5lb (7.9kg)	735029344162	Corrosion Resistant Front Adaptor, Rear Adaptor, 3/8-16 Galvanized Threaded Rod, Galvanized Nuts and Washers, Wall Mount Mounting Hardware	1
IMAL	39.25" x 3.50" x 3.50" (997 x 89 x 89mm)	18.8lb (8.5kg)	735029344179		

Compatible with the following Peerless-AV® Wall Mount models:

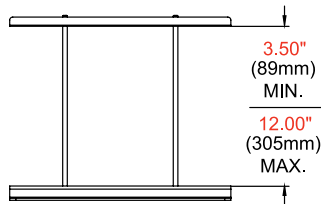
Indoor:
 SF630, SF632, SF640, SF650, SF660
 ST630, ST632, ST640, ST650, ST660
 SP730P, SP740P, SP746PU
 SA730P, SA740P, SA746PU
 PF630, PF632, PF640, PF650, PF660
 PT630, PT632, PT640, PT650, PT660
 PP730P, PP740P
 PA730P, PA740P, PA746P

Outdoor:
 EPT640, EPT650, EWMU,
 ESF655P, EST655P

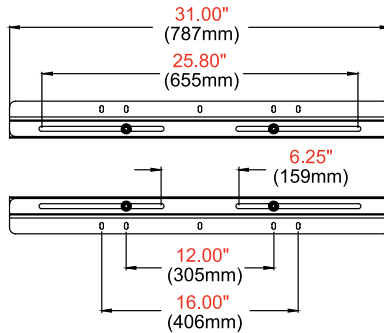
All dimensions = inch (mm)



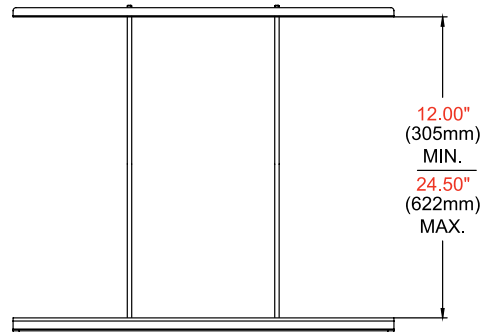
IMAM FRONT VIEW



IMAM TOP VIEW



IMAL FRONT VIEW



IMAL TOP VIEW

Architect Specifications

I-Beam Mount shall be a Peerless-AV® model IMAM/IMAL and shall be located where indicated on the plans. Assembly and installation shall be done according to instructions provided by the manufacturer.

Visit peerless-av.com to see the complete line of AV solutions from Peerless-AV, including outdoor displays, kiosks, display mounts, projector mounts, carts/stands, and a full assortment of accessories.

Peerless-AV
 2300 White Oak Circle
 Aurora, IL 60502 USA
(800) 865-2112
(630) 375-5100
Fax: (800) 359-6500

Peerless-AV EMEA
 Unit 3 Watford Interchange
 Colonial Way, Watford
 Herts, WD24 4WP
 United Kingdom
+44 (0) 1923 200100
Fax: +44 (0) 1923 200101

Peerless-AV Latin America
 Av. de las Industrias 413
 Parque Industrial Escobedo
 General Escobedo, N.L.,
 México, 66062
+52 (81) 8384-8300
Fax: +52 (81) 8384-8360

