

**Hisense** | COMMERCIAL  
DISPLAY



**ALL IN ONE LED DISPLAY**

## 138" LED ALL-IN-ONE DISPLAY

Create the ultimate immersive AV experience for your boardroom with the Hisense All-In-One LED display. Delivering vivid detail and unrivalled colour depth, the All-in-one 138" LED display will provide finishing touch to any quality meeting space.



### Brightness nits

With up to 1000 nits maximum brightness, the display panels can deliver amazingly vivid imagery anywhere during daytime and nighttime conditions.



### 160° High viewing angle

The extra wide 160° viewing angle is a perfect fit for large groups of people that will view the displays from diverse angles while passing by.



### High refresh rate

With uniform color scale and brightness, dynamic performance of LED display could restore the true scenes without any ripples.



### Effortless set-up and maintenance

LED display could reveal more details, including layers and colors, than traditional displays do.



### Low brightness & High gray level

LED display could reveal more details, including layers and colors, than traditional displays do.



### HRC12 grade multi-layer protection

Dustproof, waterproof, anti-static, anti-knock and anti-salt spray.



Scratch Resistant  
Surface Protection



Cinema Grade DCI-P3  
Colour Gamut



Quick Installation &  
Front Maintenance



Zero Noise  
& Low Heat



Front facing  
USB interface



High Quality Audio



Dedicated  
Accessories



Power Saving  
Mode



**Front Maintenance & Easy Installation**  
Easy access front maintenance of the display with no cable between modules & cabinets.



UK 3 pin plugs also available

**Simple power connection**  
No distribution box and no need for complex power connections.



**Multiple Installation Options**  
Designed to be installed either on a trolley/motorised stand or wall mounted.

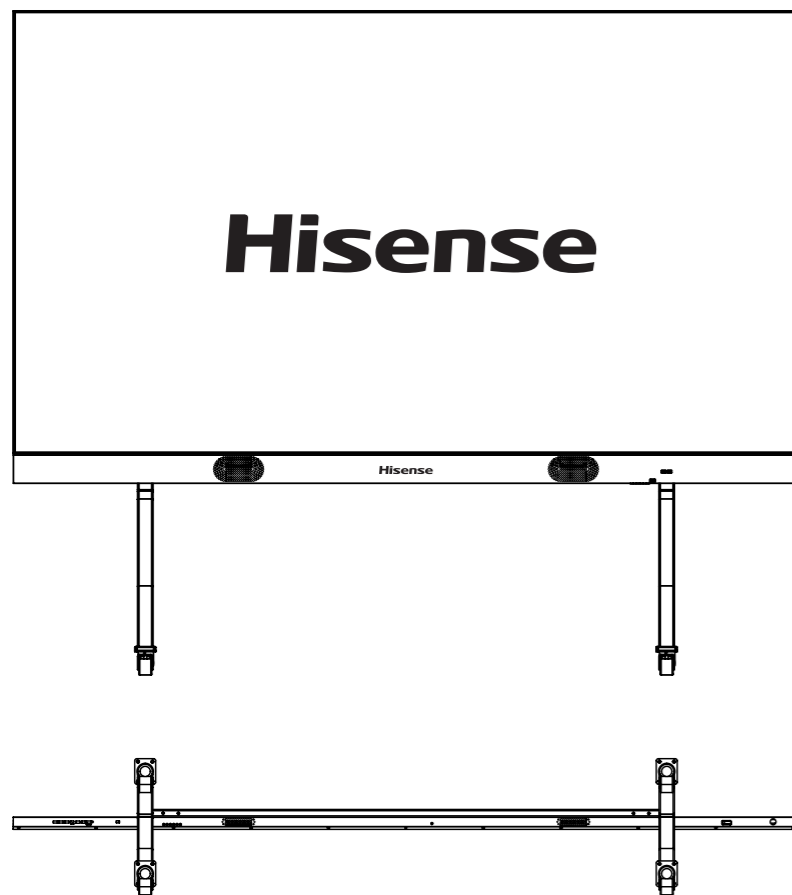
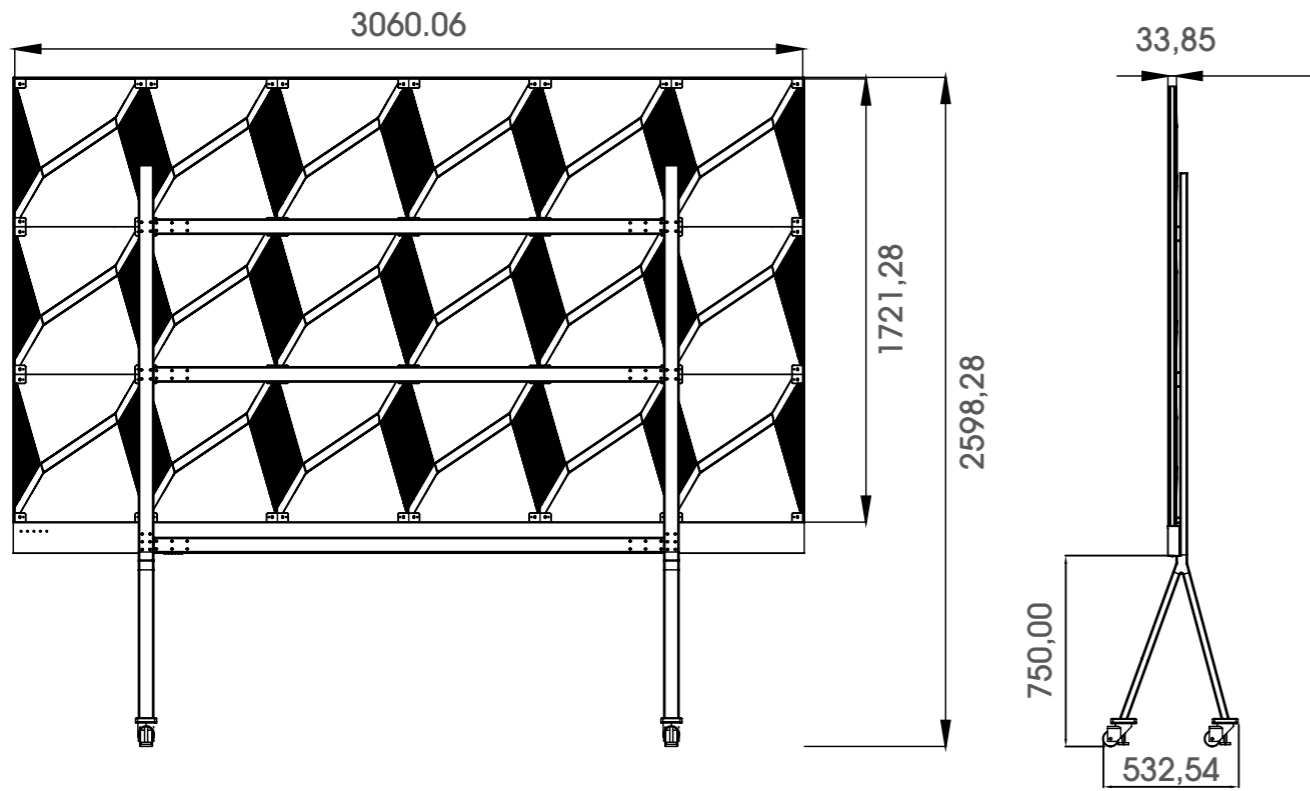
## FEATURES

- 7000:1 high contrast ratio
- Seamless Splicing
- HRC12 grade multi-layer protection dustproof, waterproof, anti-static, anti-knock, anti-salt spray
- Multi platform; Windows / IOS / Android
- Wireless screen transmission
- 160° high viewing angle
- Install on a trolley, wall mount or motorised mount
- Cinema grade colour gamut
- Authentic, natural colour balance
- Effectively reduction of harmful blue light
- High-quality sound system

## ALL IN ONE SERIES SPECIFICATIONS

ALL IN ONE SERIES		
Physical Parameter	Pixel Pitch	1.59 mm
	Pixel Configuration	SMD copper1212
	Screen Resolution (W x H)	1920 x 1080
	Module Dimensions (W x H)	127.5 x 191.25 mm
	No. of Modules Per Screen (W x H)	24 x 9 (Total 216)
	Screen Dimensions (W x H x D)	3060 x 1722 x 33 mm
	Panel Dimensions (W x H x D)	510 x 573.75 x 33 mm
	Weight (per panel/per screen)	≤ 7.5Kg / 195Kg
	Pixel Density	393,680 pixels/m <sup>2</sup>
	Flatness Of Cabinet	± 0.1 mm
	Cabinet Material	Aluminium Diecasting
	Gray Level	14 bits
	Aspect Ratio	16:9
Service Access	Front	
Optical Parameter	Brightness (adjustable)	500 (0-1000 Adjustable)
	Contrast Ratio	7,000 : 1
	Visual Viewing Angle (H x V)	160° x 160°
	Brightness Uniformity	95%
	Color Uniformity	± 0.003 Cx,Cy
	Processing Depth	16 bits
	Color Temperature - Default (Adjustable)	6500 ± 200 K (2,000 ~ 9,300 K)
Electrical Parameter	Power Supply Voltage	100 - 240 V
	Average Power Consumption (W/ Screen)	≤ 1400
	Max Power Consumption (W / Screen)	≤ 2800
	Refresh Rate	3,840 Hz
Operation Conditions	Operating Temp/Humidity	-20 - 40 °C/ 10% - 90%RH (no frost)
	Storage Temp/Humidity	-20 - 40 °C/ 10% - 65%RH (no frost)
	IP Rating	IP50
	Expected LED Lifetime (Max)	100,000 Hrs
Speaker	Built-in	3.5-mm AUDIO internal sound system connector
	External	3.5-mm AUDIO external sound system connector (prior to the built-in sound system connector)
System	OS	Android 8.0
	CPU	64-bit quad-core 1.7 GHz CPU
	GPU	Mali T820
	DDR	4GB
	ROM	16GB eMMC5.1 (Standard)
	Language	English
Package (Wooden Box / Min)	Packing Method	Wooden Box (9 in 1 box)
	Packaging Dimensions (W x H x D)	675 x 625 x 635 mm
	Packaging Weight (Total)	14 kg
Package (Wooden Box / Max)	Packing Method	Wooden Box (For structures)
	Packaging Dimensions (W x H x D)	3134 x 700 x 300 mm
	Packaging Weight (Total)	35 kg
Curve Installation	Curve Support (-:concave +: convex)	Flat, Flat
Certification		CCC, CE, CB
Controller		Built-in

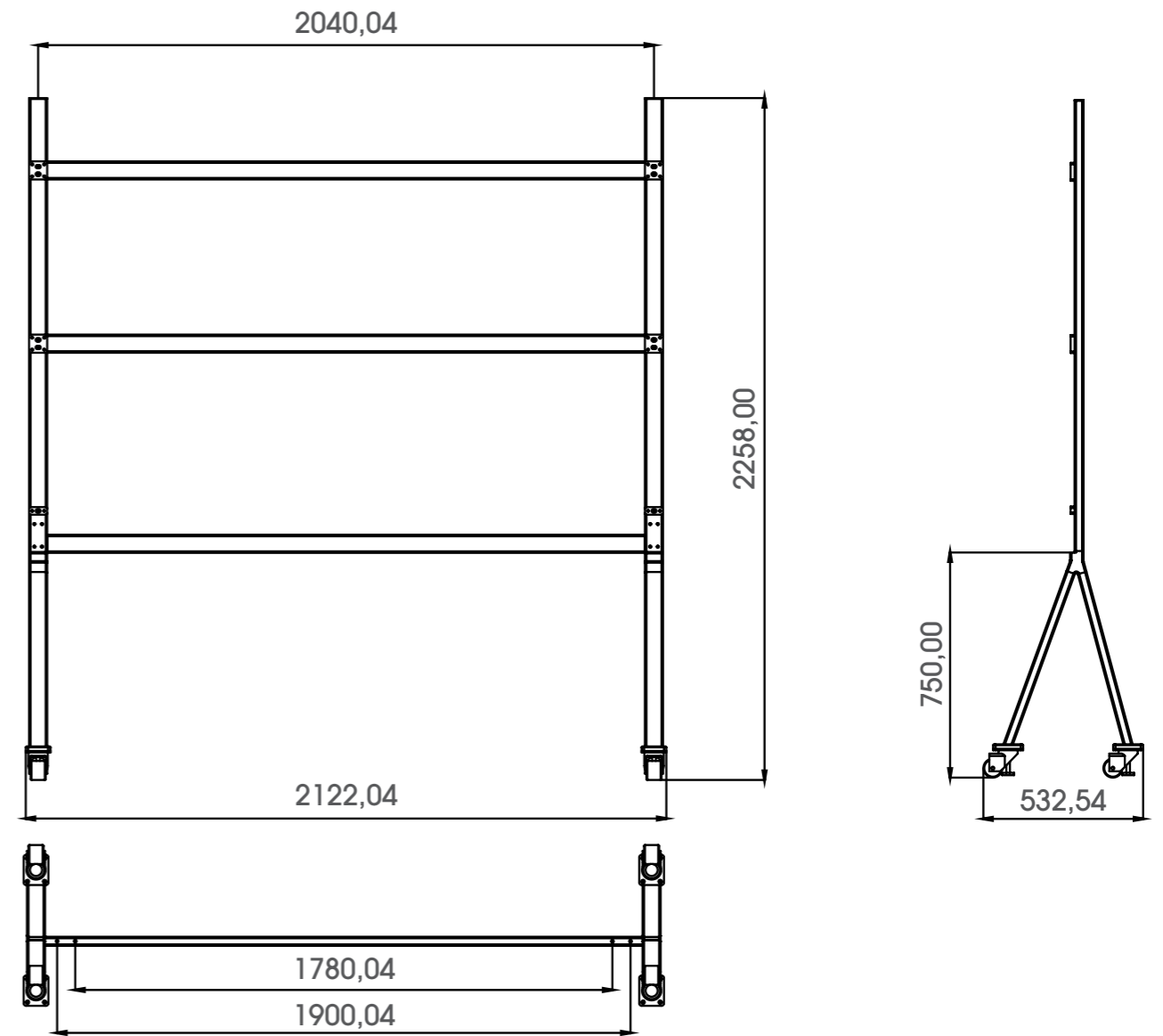
## DISPLAY DIMENSIONS



ALL-IN-ONE LED DISPLAY

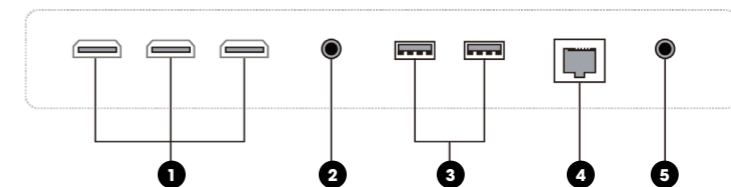
## ALL IN ONE SERIES

## STAND DIMENSIONS



## CONNECTIVITY

- 1 HDMI IN X 3
- 2 SPDIF
- 3 USB x 2
- 4 LAN
- 5 AUDIO





Hisense Commercial Display  
[commercial-display.hisense.com](http://commercial-display.hisense.com)

**Hisense**