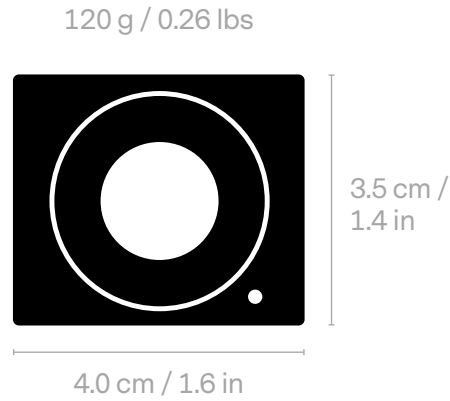


Huddly IQ

Spec Sheet



Features

- Genius Framing
- Huddly InSights analytics API
- High-quality scaling and dewarping
- 3D Noise Reduction
- Automatic white balance and color correction
- Optical aberration correction
- 4x digital zoom
- Low latency video processing
- High performance and lossless audio pickup

Image

- 12 Megapixels 1/2.3" CMOS Sensor
- 1080p Full HD @ 30 fps
- 720p HD @ 30 fps
- 16:9 aspect ratio output
- UVC 1.1 Plug & Play Compatible
- MJPEG, YUV 4:2:2 and 4:2:0 support over USB 3
- MJPEG support over USB 2

Connection Types

- USB Type-C connector
- SuperSpeed USB 3
- HighSpeed USB 2*
- Power requirement 5V 900mA

Optics

- Ultra-wide angle glass optics
- Horizontal field of view 120°
- Vertical field of view 90°
- Diagonal field of view 150°
- f/2.8 aperture

Hardware Specifications

- Aluminium unibody construction
- High-performance video processing engine
- Neural compute engine
- Beamforming microphone array
- Embedded mounting hinge
- Camera tripod mount

Color

Matte Black

Limited Edition Colors

Steel Blue, Titanium Gray, Dark Rose

*Requires 5V 900 mA power supply

Huddly IQ

Features

Convolutional Neural Network

Multi-layered CNN design allows IQ to instantly identify visual patterns, and detect people and objects

Neural Compute Engine based on Intel Movidius MyriadX

Edge-based Machine Learning platform that enables onboard intelligent features such as Genius Framing and InSights analytics

Genius Framing

Genius Framing detects the people in the camera's field of view and smoothly zooms in to frame them perfectly for the far end

Huddly InSights Analytics API

IQ can detect and count people within its field of view, with high-quality analytics data accessible via the Huddly InSights API

Security and Privacy

All data processing takes place on the camera without the need to be sent to a computer or the cloud

Dynamic Light Optimization

Adapts to poor lighting conditions

Visual Noise Filtering

Bias compensating spatio-temporal filtering with wide area chroma filtering

Real-Time Dewarping

The wide-angle image is dewarped and perspective corrected in real time, rendering a natural, true-to-life view

Beamforming Microphone Array

The built-in beamforming microphone array makes sure everyone is heard loud and clear

Software-upgradable

Designed to get even smarter over time with regular enhancements and new intelligent feature releases

180° Auto-Flip

When mounted upside down, the camera automatically provides the correct view

Digital Pan/Tilt/Zoom

Huddly IQ has no moving parts, making it compact and silent, as well as more reliable and accurate. Instantly pan, tilt and zoom digitally up to 4 times