

VPL-VW890ES

Home Cinema excellence at its most refined

Laser with ARC-F Lens | 4K HDR | 2,200lm

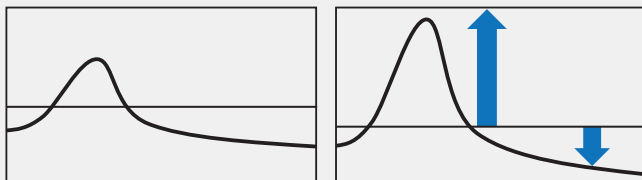
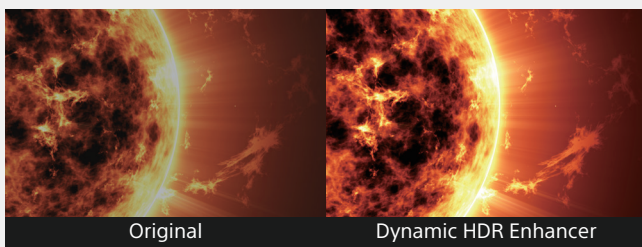


At a glance

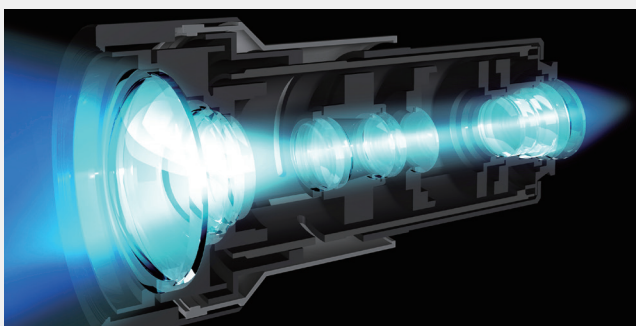
- Native 4K resolution: 4096x2160
- 2,200lm ANSI lumens
- Laser light source, 20,000 hours virtually maintenance free
- ARC-F 18 element all glass flagship lens for exceptional clarity
- X1™ for projector picture processing
- Dynamic HDR Enhancer for spectacular HDR images
- Infinite dynamic contrast with dual contrast engine
- Digital Focus Optimizer (DFO) for enhanced corner to corner clarity

Dynamic HDR Enhancer

Powered by the X1™ for projector, Dynamic HDR Enhancer delivers the optimal projected HDR experience through Sony's advanced frame by frame HDR processing. Achieve striking highlights whilst maintaining deep black levels.



Corner-to-corner sharpness with the ARC-F lens



For pristine image quality across the entire screen, Sony's projectors* feature an All-Range Crisp Focus (ARC-F) lens. This large-aperture lens adopts an all-glass design for its 18 elements, including six Extra Low-Dispersion (ELD) elements. This ensures optimal convergence of the red, green and blue primaries even at the extreme edges of the image, for a clear and vivid image wherever you look.

*Available model: VPL-GTZ380, VPL-VW5000ES, VPL-VW890ES.

Watch movies with the compact VPL-VW890ES Laser Home Cinema Projector to bring the theater experience home. 2,200 lumens of brightness powerfully deliver stunning clarity, achieving an extraordinary level of picture performance even in larger home cinema rooms. You'll experience frame by frame optimised HDR through the X1™ for projector processing creating fabulously rich cinematic colors, smooth motion and spectacular contrast.

Native 4K SXRDTM panel

Sony's advanced SXRDTM (Silicon X-tal Reflective Display) panel technology featured in Sony's digital cinema projectors delivers native 4K (4096 x 2160) resolution images, with more than four times the detail of Full HD. Fine details are wonderfully clear and natural, without jagged edges or visible pixels.



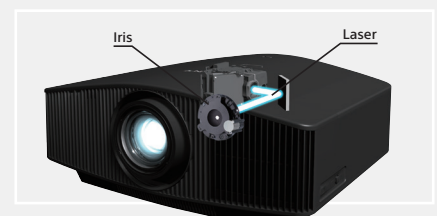
Laser Light Engine

Sony's Z-Phosphor laser light engine offers enhanced picture quality with consistent brightness and colours for the long term. Also there are operational benefits with virtually zero maintenance for 20,000 hours, with no lamp or filter changes, and fast on/off so you can enjoy your content quicker than ever before.



Dual Contrast Control

Both the iris control and laser can be adjusted independently and dynamically, to optimize light output for both dark scenes, and those with high contrast. The result is deeper blacks than ever, as infinite dynamic contrast makes every scene spring to life with detail and realism.



Specifications

		VPL-VW890ES
Display system		4K SXRD panel, projection system
Display device	Size of effective display area	0.74" x 3
	Number of pixels	26,542,080 (4096 x 2160 x 3) pixels
Projection lens	Focus	Powered
	Zoom	Powered
	Lens shift	VPLL-Z7013 (Bundled) : Powered, Vertical: +/- 80 %, Horizontal: +/- 31 % VPLL-Z7008 (Optional) : Powered, Vertical: +/- 50 %, Horizontal: +/- 18 %
Throw ratio*1		VPLL-Z7013 (Bundled) : 1.35 : 1 to 2.90 : 1 VPLL-Z7008 (Optional) : 0.85 : 1 to 1.06 : 1
Light source		Laser diode
Recommended lamp replacement time*2		-
Light output		2,200 lm
Dynamic contrast		∞ : 1
Accepted digital signals		720 x 576/50p, 720 x 480/60p, 1280 x 720/50p, 1280 x 720/60p, 1920 x 1080/50i, 1920 x 1080/60i, 1920 x 1080/24p, 1920 x 1080/50p, 1920 x 1080/60p, 3840 x 2160/24p, 3840 x 2160/25p, 3840 x 2160/30p, 3840 x 2160/50p, 3840 x 2160/60p, 4096 x 2160/24p, 4096 x 2160/25p, 4096 x 2160/30p, 4096 x 2160/50p, 4096 x 2160/60p
Input Output (Computer / Video / Control)	HDMI	x 2 (HDCP2.2)
	Display Port	-
	Trigger	x 2 (Mini jack, DC 12 V, Max. 100 mA)
	RS-232C	x 1 (D-sub 9-pin (male))
	LAN	x 1 (RJ-45, 10BASE-T/100BASE-TX)
	IR IN / OUT	IN: x 1 (Mini jack)
	3D SYNC OUT	-
	USB	x 1 (Type A, DC 5 V, Max. 500 mA)
Picture processor		X 1 for projector
Object-based HDR remaster		-
Dynamic HDR Enhancer		Yes
Object-based Super Resolution		-
Super Resolution		Yes
Dual database processing		-
Digital Contrast Optimizer		-
Digital Focus Optimizer		Yes
Dynamic contrast control		Dual contrast control (Laser and Iris)
Motionflow		Yes
HDR Format		HDR10/HLG
3D		Yes
Picture position memory		5
Input lag reduction		Yes (4K/2K)
Acoustic noise*3		24 dB
Power requirements		AC 100-240 V, 50/60 Hz
Power consumption		490 W
	Standby	0.4 W (when "Remote Start" is set to "Off")
	Networked Standby	1.0 W (LAN) (when "Remote Start" is set to "On")
Dimensions (Without Protrusions)		W 560 x H 223 x D 496 mm (W 22 1/16 x H 8 25/32 x D 19 17/32 in)
Mass		Approx. 22 kg / 49 lb
Supplied accessories		RM-PJ24 Remote Commander (1), Size AA (R6) Manganese Batteries (2), AC Power Cord (1), Lens Cap (1), Quick Reference Manual (1), Safety Regulations (1)
Optional accessories		VPLL-Z7008 (Short throw lens)

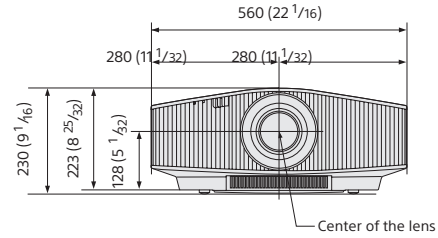
*1 Display size : 16:9 *2 The figures are expected maintenance time and not guaranteed. They will depend on the environment or how the projector is used. *3 Depends on the projector setting condition and usage environment.

Dimensions

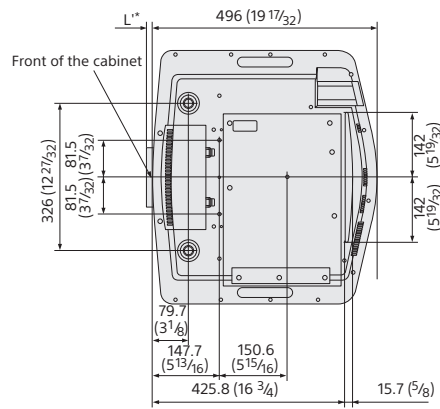
CONNECTOR PANELS



Front



Bottom



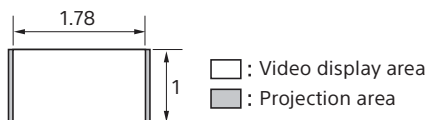
Dimensions: mm (inches)

Optional Accessories

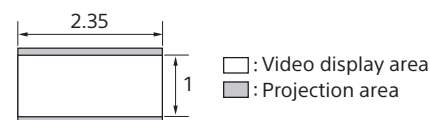


X105-RF-X1
XpanD 3D Glasses

Projection distance



1.78:1 (16:9)		Projection distance L
Diagonal	Width × Height	
80" (2.03 m)	1.77 × 1.00 (70 × 39)	2.44 - 5.01 (96 - 197)
100" (2.54 m)	2.21 × 1.25 (87 × 49)	3.05 - 6.28 (121 - 247)
120" (3.05 m)	2.66 × 1.49 (105 × 59)	3.67 - 7.55 (145 - 297)
150" (3.81 m)	3.32 × 1.87 (131 × 74)	4.60 - 9.44 (181 - 371)
200" (5.08 m)	4.43 × 2.49 (174 × 98)	6.15 - 12.61 (242 - 496)



2.35:1		Projection distance L
Diagonal	Width × Height	
80" (2.03 m)	1.87 × 0.80 (74 × 31)	2.41 - 4.96 (95 - 195)
100" (2.54 m)	2.34 × 0.99 (92 × 39)	3.02 - 6.22 (119 - 244)
120" (3.05 m)	2.80 × 1.19 (110 × 47)	3.64 - 7.47 (143 - 294)
150" (3.81 m)	3.51 × 1.49 (138 × 59)	4.55 - 9.35 (180 - 368)
200" (5.08 m)	4.67 × 1.99 (184 × 78)	6.08 - 12.48 (240 - 491)

© 2021 Sony Corporation.

All rights reserved. Reproduction in whole or in part without permission is prohibited. Features and specifications are subject to change without notice. All non-metric weights and measurements are approximate. 'Sony' is a registered trademark of Sony Corporation. All other trademarks are the property of their respective owners. Errors and omissions excepted.

www.pro.sony

Follow us on .

SONY

Distributed by

