



Introduction

The Atlona AT-HDVS-CAM-HDBT is an enterprise-grade PTZ camera designed for use in video conferencing and other applications such as lecture capture and distance education. It features an HDBaseT output for extending video, power, and camera control over distances up to 330 feet (100 meters). The HDVS-CAM-HDBT is ideal for remotely interfacing into HDBaseT equipped switchers and extenders, for use with a video conferencing codec, lecture capture appliance, or PC equipped for video capture. Camera control over HDBaseT or TCP/IP facilitates remote integration into AV control systems. The HDVS-CAM-HDBT delivers high performance, professional-quality imaging with video resolutions up to 1080p @ 60 Hz, as well as fast and accurate auto-focusing, and a fast yet quiet pan and tilt mechanism. This PTZ camera is ideal for large meeting spaces, classrooms, training rooms, and many other environments. The HDVS-CAM-HDBT is available in black or white.

Applications

- **Meeting spaces and conference rooms**
The HDVS-CAM-HDBT enables simple, clean connectivity over category network cable, from a wall or ceiling to AV equipment in a credenza or below the meeting table.
- **Classrooms and other instructional spaces**
The HDVS-CAM-HDBT is ideal for distance learning and collaboration, as well as recording lectures.
- **Legacy video conferencing systems**
This camera can provide an effective upgrade to existing codecs, by delivering high quality imaging performance and ease of installation over HDBaseT.

Key Features

- Designed for video conferencing and other applications such as lecture capture and distance education
- HDBaseT output for extending video, power, and camera RS-232 control up to 330 feet (100 meters) @ 1080p with CAT5e/6 cable
- Remote powering over HDBaseT – local powering available with included power supply
- High performance imaging, fine detail, and color rendering with 1/2.8" low-noise, HD CMOS sensor
- Delivers HD video resolutions including 1080p @ 60 Hz
- Up to 255 camera presets available, 10 accessible from IR remote
- Fast and accurate auto focus, plus auto white balance and auto exposure modes
- Fast and quiet pan and tilt mechanism
- Multi-element zoom lens with 10x optical zoom and a 60.9° horizontal field of view
- Picture controls available for brightness, color, saturation, contrast, sharpness, and gamma
- TCP/IP, RS-232, and IR control – convenient handheld IR remote control included
- Supports VISCA, Pelco-D, and Pelco-P camera control protocols
- Easy, GUI-based configuration using integrated web server
- Camera can be mounted on a wall, or inverted for ceiling installation with the optional AT-HDVS-CAM-CMNT ceiling mount kit
- Includes installation guide, wall mounting bracket, IR remote control, VISCA to RS-232 DB-9 adapter, lens cap, and external universal power supply
- Available in black or white
- Three-year limited product warranty

Specifications

Video		
HDBaseT Resolutions	1080p@60/59.97/50/30/29.97/25Hz 1080i@60/59.94/50Hz	780p@60/59.94/50/30/29.97/25Hz
Sensor	1/2.8" HD CMOS	
Optical Zoom	10X, f = 4.7 ~ 47 mm	
Viewing Angle	6.43° (telephoto), 60.9° (wide-angle)	
Effective Pixels	2.07 MP	
Focus Settings	Auto / Manual	
AV	F1.6 - F3.0	
Minimum Illumination	0.5 lm, F1.8 with Automatic Gain Control ON	
Signal-to-Noise Ratio (SNR)	> 55 dB	
Control Protocol	VISCA/Pelco-D/Pelco-P	
Pan Rotation	±170°	
Tilt Rotation	-30° ~ ±90°	
Pan Control Speed	0.1 - 180° / sec	
Tilt Control Speed	0.1 - 80° / sec	

Temperature	Fahrenheit	Celsius
Operating	14 to 122	-10 to 50
Storage	-14 to 140	-10 to 60
Operating Humidity (RH)	20% to 80%, non-condensing	
Storage Humidity (RH)	20% to 95%, non-condensing	

Power	
Consumption	12 W
Supply	Input: 110 - 220 V AC, 50/60 Hz Output: 12 V DC, 1 A

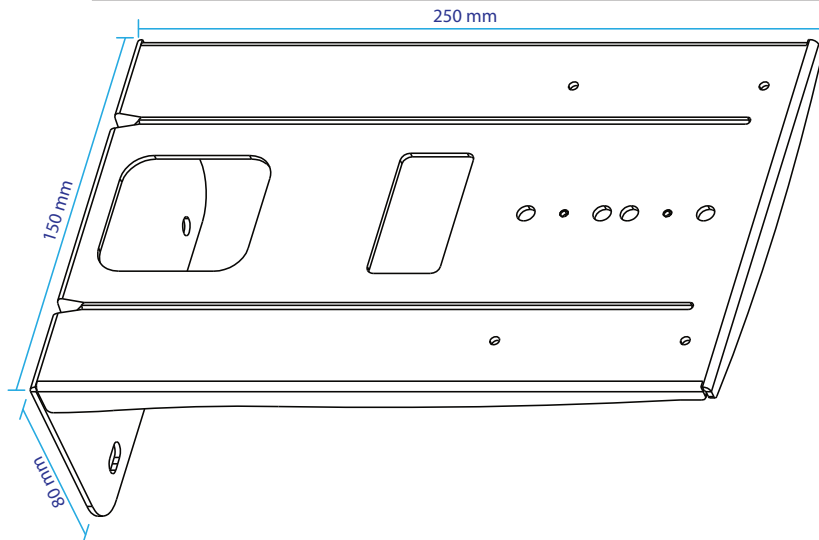
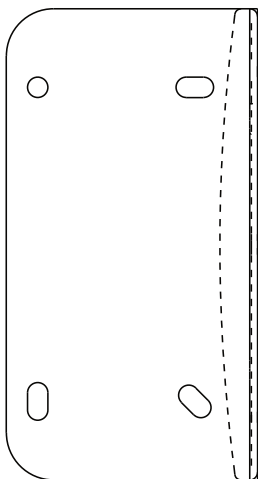
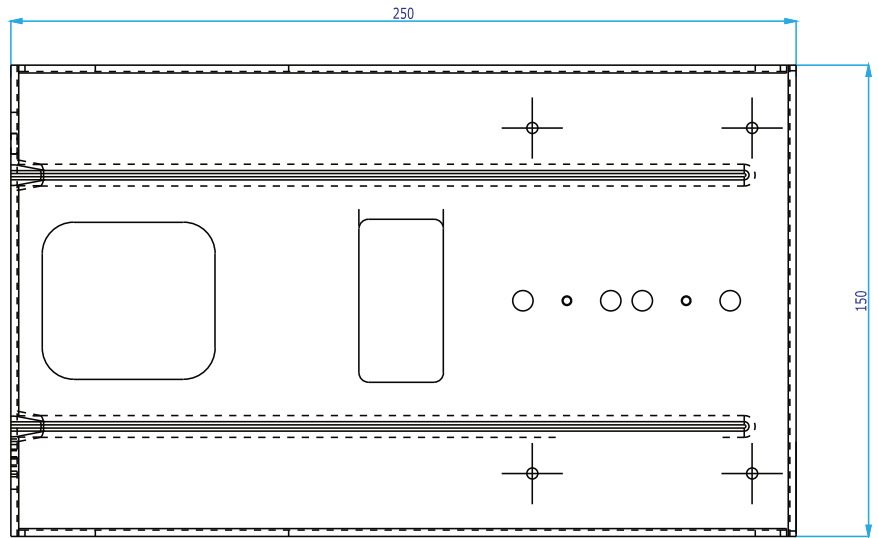
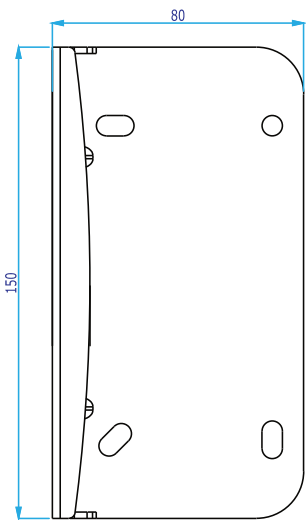
Dimensions	Inches	Millimeters
H x W x D	6.59 x 5.90 x 5.90	167.5 x 150 x 150

Weight	Pounds	Kilograms
Device	3.08	1.4

Certification	
Device	CE, FCC

Package Contents

1 x AT-HDVS-CAM-HDBT	1 x VISCA to RS-232 DB-9 adapter
1 x Wall mounting plate	2 x AAA battery
1 x 1/4 20UNC screws	1 x Installation Guide
1 x IR Remote Control	



Accessories

SKU	Title
AT-HDVS-CAM-CMNT	Ceiling Mount Kit for AT-HDVS-CAM