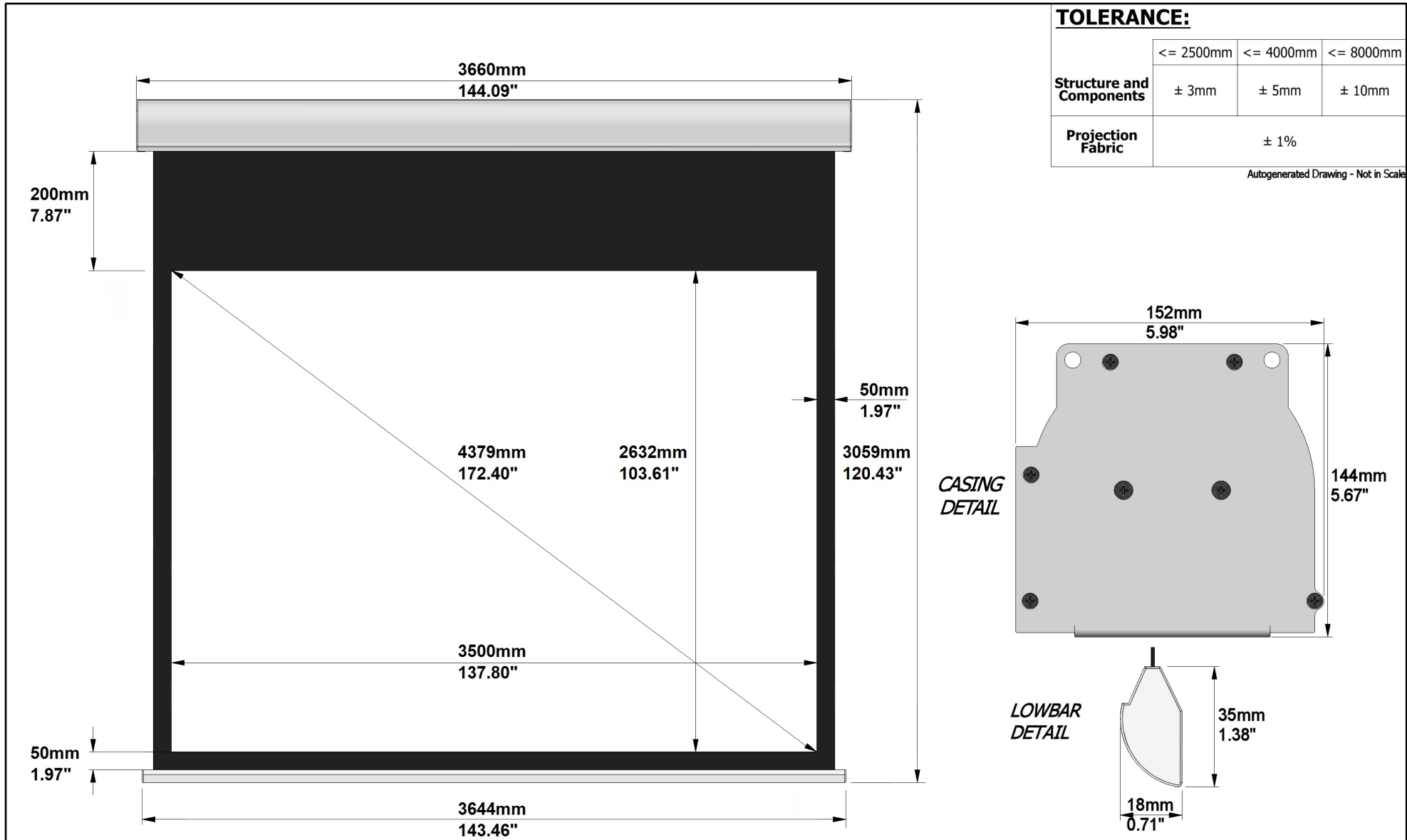


# SCREEN CONFIGURATION SUMMARY

SKU: 1000009917

DELUXX Professional motorized screen 4:3 matte white Vision Pro 350 x 263 cm

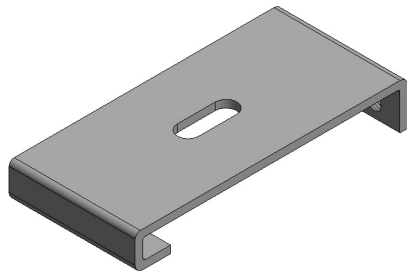
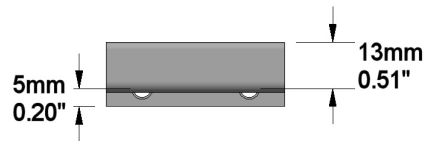
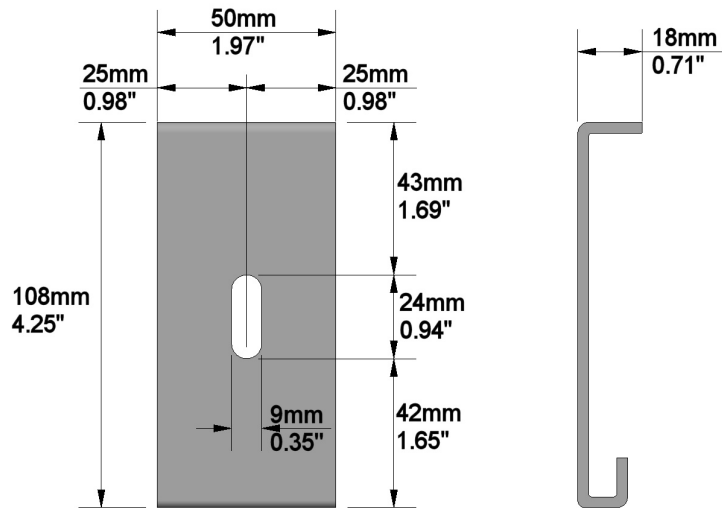


# SCREEN CONFIGURATION SUMMARY

SKU: 1000009917

DELUXX Professional motorized screen 4:3 matte white Vision Pro 350 x 263 cm

## MOUNTING BRACKETS AND INSTALLATION VIEW:

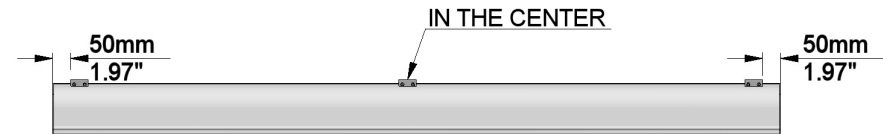


## PACKAGING INFORMATION:

	SHIPPING DIMENSIONS				NUMBER OF BOXES	TOTAL SHIPPING WEIGHT	
	LENGTH	DEPTH	HEIGHT	PALLET HEIGHT		kg	lbs
mm	3780mm	200mm	210mm	320mm	1	42.60	93.72
inches	148.82"	7.87"	8.27"	12.60"			

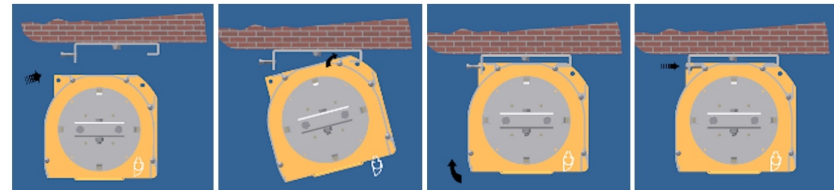
Autogenerated Drawing - Not in Scale

INSTALL THE BRACKET MAXIMUM 50 mm FROM THE END OF THE CASING



## CEILING INSTALLATION

- bring the screen close to the brackets (pos.1);
- block the rear part of the screen by tilting it slightly (pos.2);
- push the screen upwards until it slides into the bracket (pos.3);
- tighten the three screws on the bracket as far as they will go (pos.4).



## WALL INSTALLATION

- bring the screen close to the brackets (pos.1);
- block the rear part of the screen by tilting it slightly (pos.2);
- push the screen upwards until it slides into the bracket (pos.3);
- tighten the three screws on the bracket as far as they will go (pos.4)

