

Smart ideas for the bigger picture.

celexon - your specialist
for home cinema and AV solutions

M

FP

1 : 1

16 : 10

PRODUCT INFORMATION

The unobtrusively designed aluminium housing, freely adjustable metallic flexi mounting brackets, a temperature-resistant fibreglass fabric with a finest surface structure for high-resolution content and a quiet motor are some of the features that make up the high-quality, reliable Motor Expert screen, which is equipped with the best reflection properties. The completely white projection screen fabric makes this screen ideal for office, conference or classroom use.



KEY FEATURES

- Fibreglass fabric based cloth, type D matt-white with 1.25 gain at 150° viewing angle Cloth
- with fire protection class B1 according to DIN 4102-1
- Durable and smooth running motor
- fine surface structure for high-resolution content above 4K
- Aluminium housing, painted white (RAL9010)
- flexible metal mounting brackets (for wall or ceiling)
- no black masking on the projection screen fabric

OPTIONALES ACCESSORIES



Radio Remot Set 1- and
2-Channel

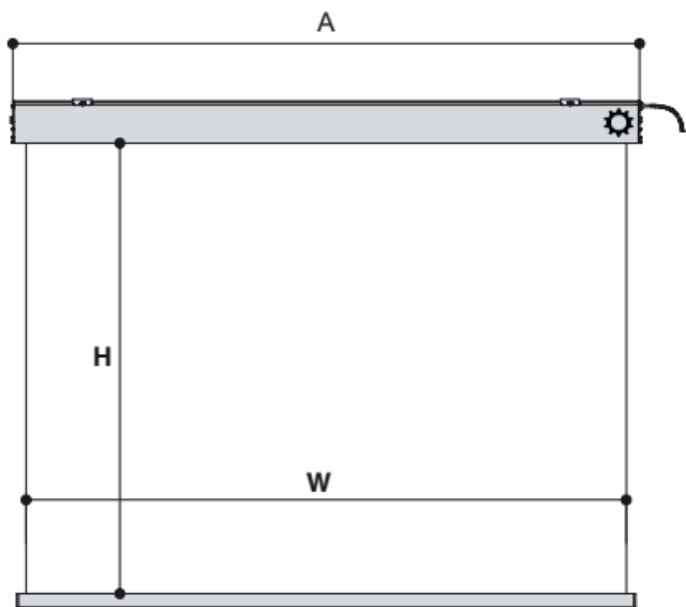


12 Volt Trigger Kit

TECHNICAL DATA

Format	Product-description	Viewing Area	Housing	Net Weight	EAN
		W x H	A x H x D		
1:1	200 x 200 cm	200 x 200 cm	209 x 9,4 x 11,2 cm	17 Kg	4260094740527
	220 x 220 cm	220 x 220 cm	229 x 9,4 x 11,2 cm	19	4260094740534
	250 x 250 cm	250 x 250 cm	259 x 9,4 x 11,2 cm	22	4260094740541
	280 x 280 cm	280 x 280 cm	289 x 9,4 x 11,2 cm	24	4260094740558
16:10	200 x 125 cm	200 x 125 cm	209 x 9,4 x 11,2 cm	17	4260094740565
	220 x 137 cm	220 x 137 cm	229 x 9,4 x 11,2 cm	19	4260094740572
	250 x 156 cm	250 x 156 cm	259 x 9,4 x 11,2 cm	22	4260094740589
	280 x 175 cm	280 x 175 cm	289 x 9,4 x 11,2 cm	24	4260094740596
	300 x 187 cm	300 x 187 cm	309 x 9,4 x 11,2 cm	25	4260094740602

The dimensions provided are the mean values of the production units. Very slight deviations may be possible. Due to continuous technical improvements, we reserve the right to change design and specifications without prior notice.



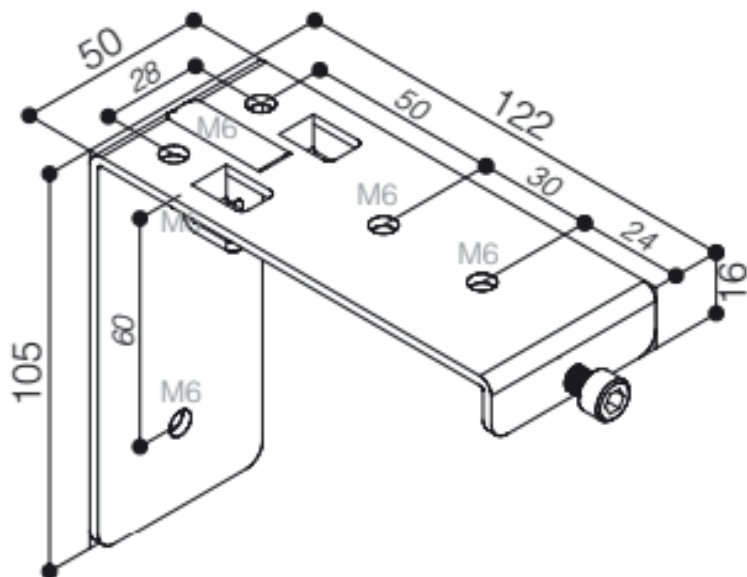
Überreicht durch Ihren celexon Fachhändler:



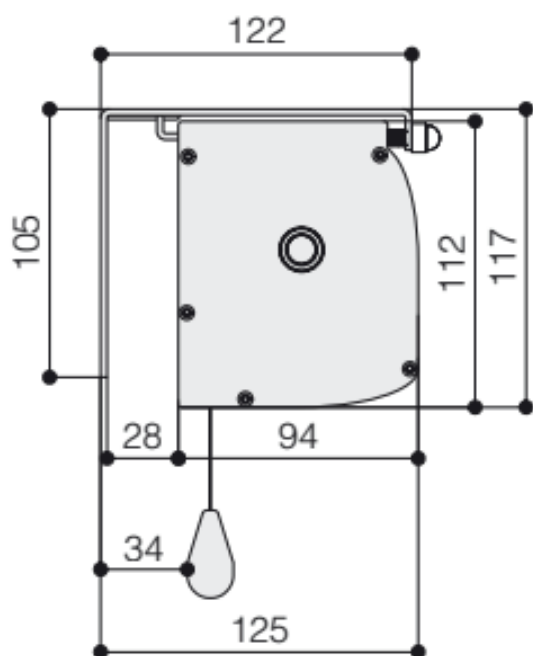
Legende



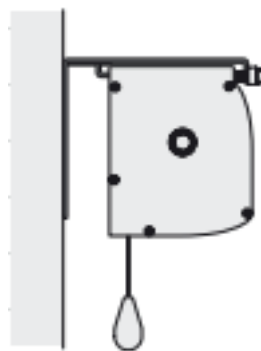
WALL- UND CEILING BRACKET*



HOUSING*



BACKFALL



* ALL Measurements in mm