

Smart ideas for the bigger picture.

celexon - your specialist
for home cinema and AV solutions

PRODUCT INFORMATION

The celexon Professional height adjustable display Adjust-3270MP trolley with a load capacity of up to 70kg is perfect for use in different rooms and is suitable for displays from all major manufacturers. The height can be adjusted from 112,5 - 166,5 cm and the aluminum trolley sits on a secure glass stand with 4 heavy duty castors offering ease of movement and a secure base. Two lockable castors offer protection against unwanted movement. You also have the choice to replace the castors with the provided feet if you do not require the stand to move around.

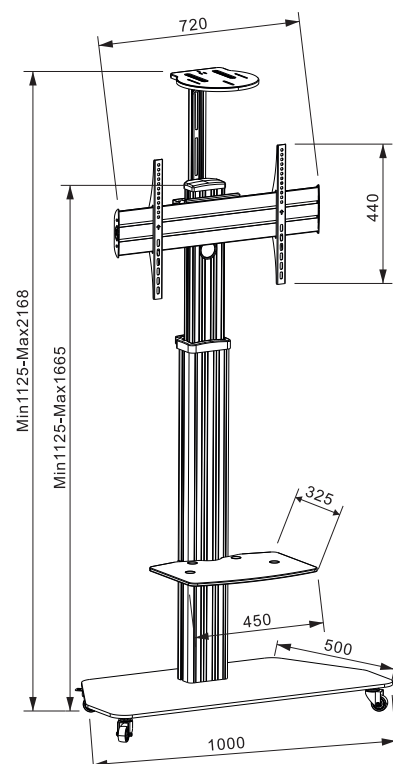
These trolleys offer great usage features such as a glass shelf, integrated cable management and a camera holder making this trolley a great solution for all set ups.

KEY INFORMATION

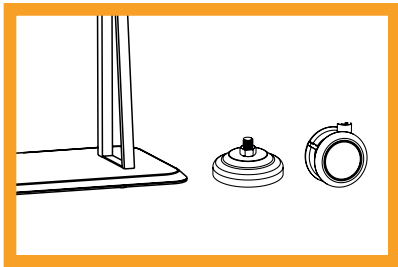
- Trolley with a max. Height of 166,5cm
- Supports the following Vesa standards:
 - Horizontal up to 600mm (200, 280, 300, 400, 440, 580, 600)
 - Vertical up to 400mm (stepless)
- Mobile trolley in silver
- Integrated cable management
- Camera mount
- Tilt: - / + 15°
- Suitable for all 32" - 70" Displays
- Maximum load > 70 kg
- Total system weight approx. 19 kg



celexon Professional Adjust-3270MP



DETAILS



Optional castor or feet



Camera Bracket



Cable Management

PRODUCT DATA

Name	Dimensions (mm) H x W x D	Net-weight (kg)	Supported Max. VESA standard	Height adjustment (cm)	EAN
celexon Professional Adjust-3270MP	950 x 760 x 170	19	600 x 400	130 - 170	4260094740503

The stated values represent the mean values of a unit produced in series production so minor deviations are possible. Due to continuous technical improvements, we reserve the right to change design and specifications without prior notice.

Received from your celexon reseller:

