

DS-S560-2X2



VESA®
200 x 200 up to
600 x 400mm



Max load
500lb (227kg)
125lb per display

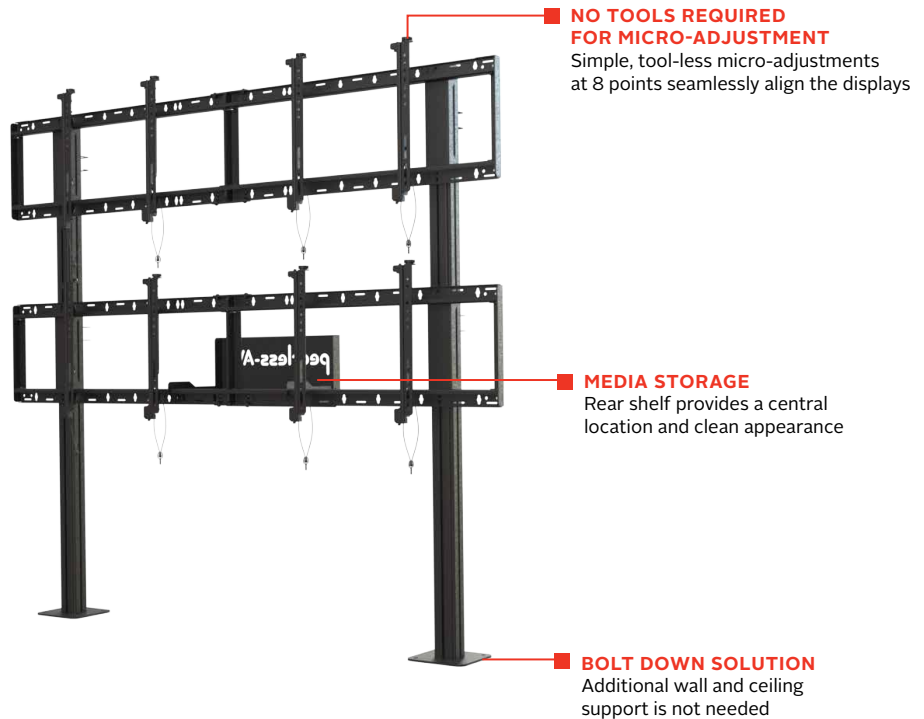
SMARTMOUNT.

Modular Video Wall Pedestal Mount 2x2 Configuration

FOR 46" TO 60" DISPLAYS UP TO 5" DEEP (127mm)

Peerless-AV's Modular Video Wall Pedestal Mount encompasses an assortment of useful features that eliminate the need for extra tools and hardware, all while ensuring your application is secure and looks professional. The DS-S560-2X2's tool-less micro adjustment provides the time saving feature you need for perfect display alignment. The built-in cable management and media storage features provide a safe central location to house your components, and help create a clean and clutter-free appearance. If you're looking for added stability, this mount can be mounted to concrete structures without additional wall or ceiling supports in any retail, public transportation or any other high traffic location.

- Tool-less micro-adjustment at 8 points seamlessly align the displays
- Adaptors feature a quick connect latch for automatic engagement with the mounting rails and ease of set-up
- Cable management through rear adjustable cable centralizing brackets
- Bolts directly to concrete without requiring additional connections to the wall or ceiling
- Rear media storage shelf and cover stores components while maintaining a clean appearance
- Aluminum frame reduces the overall weight and shipping costs
- VESA® 200 x 200 up to 600 x 400mm compatible
- Designed for displays that are up to 5" deep (127mm)



RoHS

✉ info@peerless-av.com

🌐 peerless-av.com

peerless-AV®
Driving Technology Through Innovation

DS-S560-2X2 SmartMount® Modular Video Wall Pedestal Mount 2x2 Configuration for 46" to 60" Displays up to 5" deep (127mm)

Product Specifications

	DIMENSIONS (W x H x D)	PRODUCT WEIGHT	LOAD CAPACITY	FINISH	AVAILABLE COLORS
DS-S560-2X2	80.59" x 75.44" x 13.36" (2047 x 1916 x 339mm)	127lb (57.7kg)	500lb (227kg) 125lb per display	Powder Coat	Black

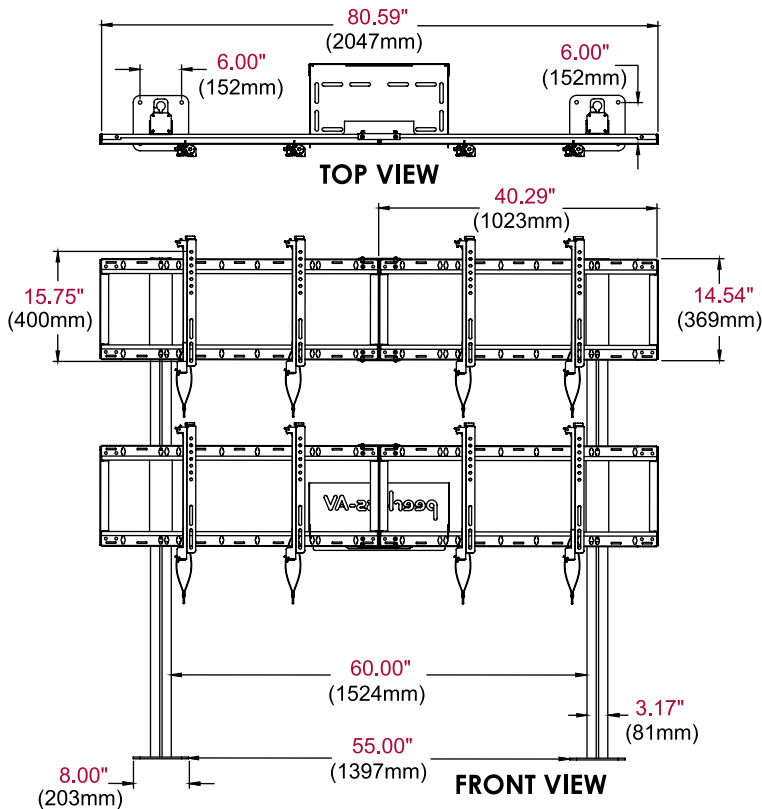
Package Specifications

	PACKAGE SIZE (W x H x D)	PACKAGE SHIP WEIGHT	PACKAGE UPC CODE	PACKAGE CONTENTS	UNITS IN PACKAGE
DS-S560-2X2	84.00" x 37.50" x 12.50" (2133 x 952 x 317mm)	147lb (66.8kg)	735029303442	Stand, display adaptors and hardware	1

Accessories

ACC-V800X: Adaptor accessory for 600 x 400 and 800 x 400mm mounting patterns

All dimensions = **inch** (mm)



COMPATIBILITY FORMULA
Display height ≤ 36"
Display width ≥ 40.5"
Display width + mount pattern width ≤ 80"

Architect Specifications

The Smartmount® Modular Video Wall Pedestal Mount 2x2 Configuration shall be a Peerless-AV model DS-S560-2X2 and shall be located where indicated on the plans. Assembly and installation shall be done according to instructions provided by the manufacturer.

Visit peerless-av.com to see the complete line of AV solutions from Peerless-AV, including outdoor displays, wireless, kiosks, digital audio, display mounts, projector mounts, carts/stands, and a full assortment of accessories.

Peerless-AV
 2300 White Oak Circle
 Aurora, IL 60502 USA
(800) 865-2112
(630) 375-5100
Fax: (800) 359-6500

Peerless-AV EMEA
 Unit 3 Watford Interchange
 Colonial Way, Watford
 Herts, WD24 4WP
 United Kingdom
+44 (0) 1923 200100
Fax: +44 (0) 1923 200101

Peerless-AV Latin America
 Ave de las Industrias 413
 Parque Industrial Escobedo
 Escobedo, N.L.,
 Mexico 66062
+52 (81) 8384-8300
Fax: +52 (81) 8384-8360

