

PT632



Display size
22"-40"



Max load
80lb (36kg)

PARAMOUNT™ Tilting Wall Mount

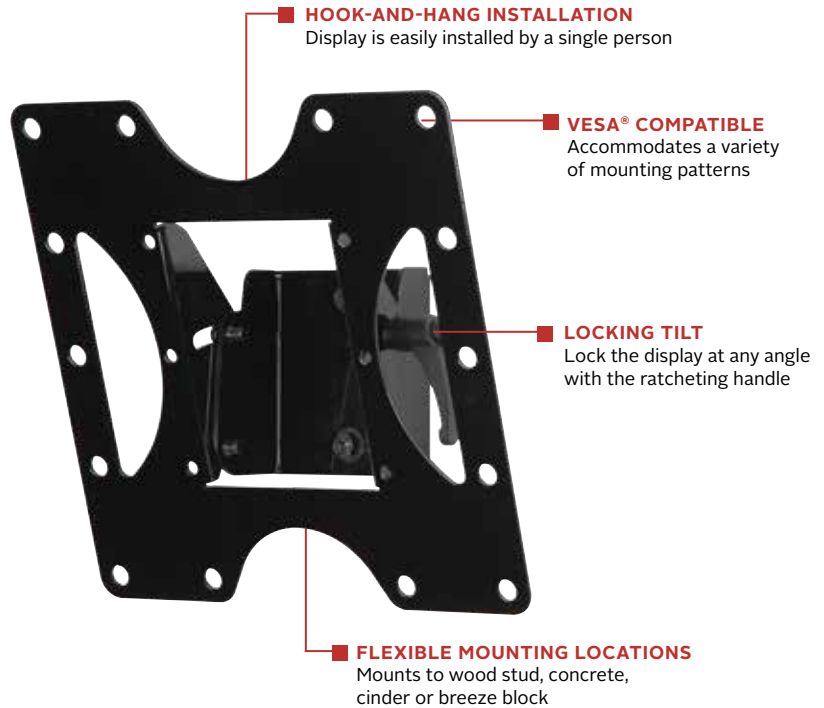
FOR 22" TO 40" DISPLAYS

The Paramount™ series wall mounts provide versatile and multi-functional features. With PT632, a low-profile design positions the display just 2.01" (51mm) from the wall. The Hook-and-Hang™ system offers easy, one-person installation of the display. A ratcheting handle provides locking tilt capability for quick adjustments to the amount of tilt, reducing glare and optimizing the viewing angle.

The PT632's adjustable viewing feature provides 15° of forward tilt and 5° backward tilt, creating the most optimal viewing angle.

Additional Features

- ✓ Adjustable 15° forward tilt and 5° backward tilt for finding the optimal viewing angle
- ✓ Tilt angle locks into place with simple tightening of handle
- ✓ Display is positioned only 2.01" (51mm) from wall for a low-profile application
- ✓ Includes all necessary wall and display attachment hardware
- ✓ Mount accommodates displays with VESA® 100, 200 x 100, or 200 x 200mm hole patterns
- ✓ Design is UL listed and tested to four times stated load capacity



15°/-5° of tilt for versatile viewing angles



Comes in color packaging with included installation hardware and easy to follow instructions.

PT632	Paramount™ Tilting Wall Mount for 22" to 40" Displays
--------------	---

Product Specifications

	DIMENSIONS (W x H x D)	PRODUCT WEIGHT	LOAD CAPACITY	FINISH	AVAILABLE COLORS
PT632	8.74" x 8.74" x 2.01"-3.78" (222 x 222 x 51-96mm)	1.75lb (0.80kg)	80lb (36kg)	Scratch resistant fused epoxy	Gloss black

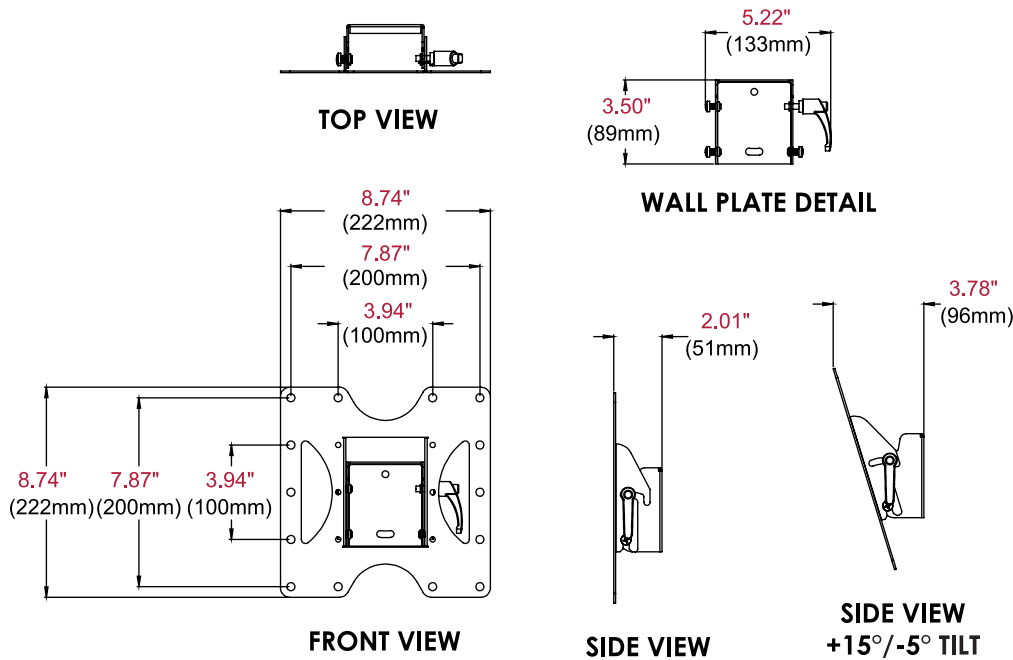
Package Specifications

	PACKAGE SIZE (W x H x D)	PACKAGE SHIP WEIGHT	PACKAGE UPC CODE	PACKAGE CONTENTS	UNITS IN PACKAGE
PT632	9.65" x 2.95" x 10.79" (245 x 75 x 274mm)	3.00lb (1.36kg)	735029255888	Wall mount, wall and display installation hardware, installation instructions	1

Accessories

ACC215: Metal Stud Fastener Kit

All dimensions = inch (mm)



Architect Specifications

The Paramount™ Tilting Wall Mount shall be a Peerless-AV model PT632 and shall be located where indicated on the plans. Assembly and installation shall be done according to instructions provided by the manufacturer.

Visit peerless-av.com to see the complete line of AV solutions from Peerless-AV, including outdoor displays, wireless, kiosks, digital audio, display mounts, projector mounts, carts/stands, and a full assortment of accessories.

Peerless-AV
2300 White Oak Circle
Aurora, IL 60502 USA
(800) 865-2112
(630) 375-5100
Fax: (800) 359-6500

Peerless-AV Europe
Unit 3 Watford Interchange
Colonial Way, Watford
Herts, WD24 4WP
United Kingdom
+44 (0) 1923 200100
Fax: +44 (0) 1923 200101

Peerless-AV de México
Ave de las Industrias 413
Parque Industrial Escobedo
Escobedo, N.L.,
Mexico 66050
+52 (81) 8384-8300
Fax: +52 (81) 8384-8360

