

## PRGS-UNV(-S)(-W)

# PRGS Projector Mount

## For projectors up to 50lb (22kg)

The PRGS Projector Mount simplifies the way image alignment is done. The precision gear design allows exact pitch and roll image positioning by either simply turning two adjustment knobs with a Phillips screw driver, or using the tool-less option by extending the knobs to adjust by hand. Just set the precision gear to the desired position to secure it in place. It will hold its position even during projector maintenance. With Peerless-AV® PRGS Projector Mount, just set it and forget it. No more adjustment screws. No more micro adjustments. No more hassles.



Max load: 50lb (22kg)

### FEATURES

- Two adjustment knobs to control tilt and roll image alignment and accurately hold image position, virtually eliminating any sag or drift
- Specifications:
  - Pitch: +15°/-20°
  - Roll: ±5°
  - Swivel: 360° (during installation)
- Pre-installed security screws provide tilt and roll locking ability to prevent tampering and adjustments
- Low profile design allows projector to be flush with the ceiling
- Open frame assembly provides easy cable routing through the projector mount itself
- Quick release mechanism to easily service projector

#### PIN-POINT IMAGE ALIGNMENT

Achieve pin-point image alignment by simply turning the adjustment knobs by hand or with a Phillips screwdriver

#### EFFORTLESS PROJECTOR MAINTENANCE

Quick-release thumbscrew enables easy-glide removal of the projector in and out of the mount



#### UNIVERSAL COMPATIBILITY

Includes the Spider® Universal Adapter Plate which extends up to 17.63" (448mm) to fit most projector models



Pin-point image alignment



**PRGS-UNV(-S)(-W):** PRGS Projector Mount for projectors up to 50lb (22kg)

**Product Specifications**

	<b>DIMENSIONS (W x H x D)</b>	<b>PRODUCT WEIGHT</b>	<b>LOAD CAPACITY</b>	<b>FINISH</b>	<b>AVAILABLE COLORS</b>
<b>PRGS-UNV(-S)(-W)</b>	4.79" -17.63" x 3.63"-4.63" x 4.79"-17.63" (122-448 x 92-118 x 122-448mm)	5.1lb (2.32kg)	50lb (22kg)	Powder Coat	PRGS-UNV Black PRGS-UNV-S Silver PRGS-UNV-W White

**Package Specifications**

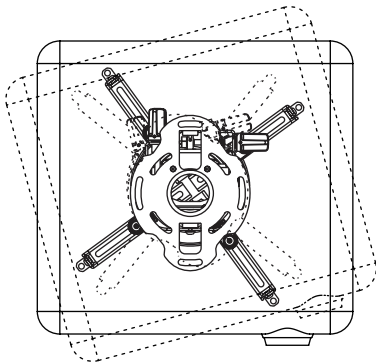
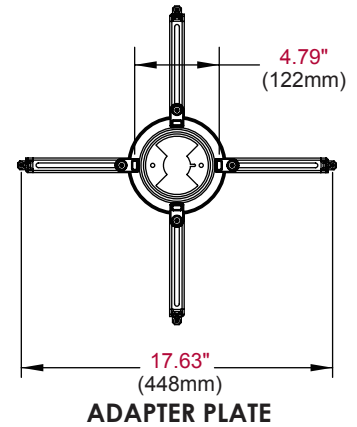
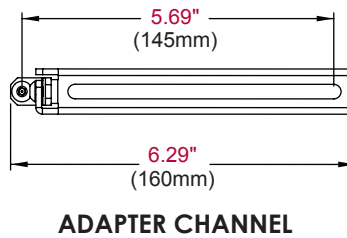
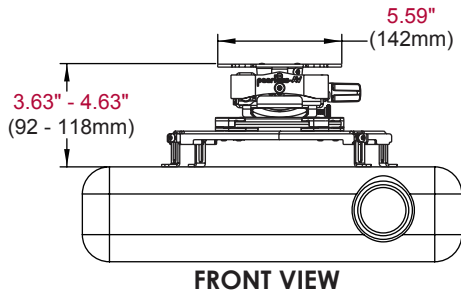
	<b>PACKAGE SIZE (W x H x D)</b>	<b>PACKAGE SHIP WEIGHT</b>	<b>PACKAGE UPC CODE</b>	<b>PACKAGE CONTENTS</b>	<b>UNITS IN PACKAGE</b>
<b>PRGS-UNV(-S)(-W)</b>	14.25" x 6.75" x 3.00" (362 x 171 x 76mm)	5.0lb (2.26kg)	PRGS-UNV: 735029281795 PRGS-UNV-S: 735029281863 PRGS-UNV-W: 735029281870	Projector Mount, Spider® Universal Adapter Plate, Mounting and Projector Attachment Hardware, Assembly Instructions	1

**Accessories**

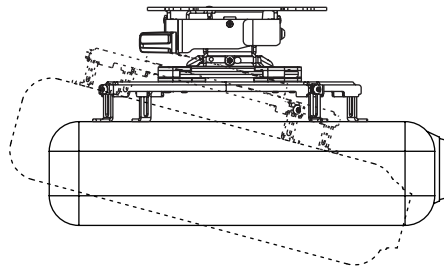
**ACC and CMJ models:** Ceiling plates  
**AEC, ALU and EXT models:** Extension columns

**PWA-14(S)(W):** Projector wall arm

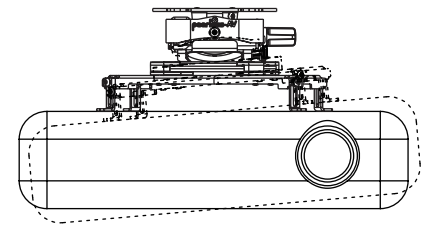
All dimensions = inch (mm)



**SWIVEL (YAW) 360°** (when attached to extension column)  
**+/- 15°** (when flush mounted)



**+15/- 20° PITCH**



**+/- 5° ROLL**

**ARCHITECTS SPECIFICATIONS**

The PRGS Projector Mount shall be a Peerless-AV model PRGS-UNV and shall be located where indicated on the plans. Assembly and installation shall be done according to instructions provided by the manufacturer.