

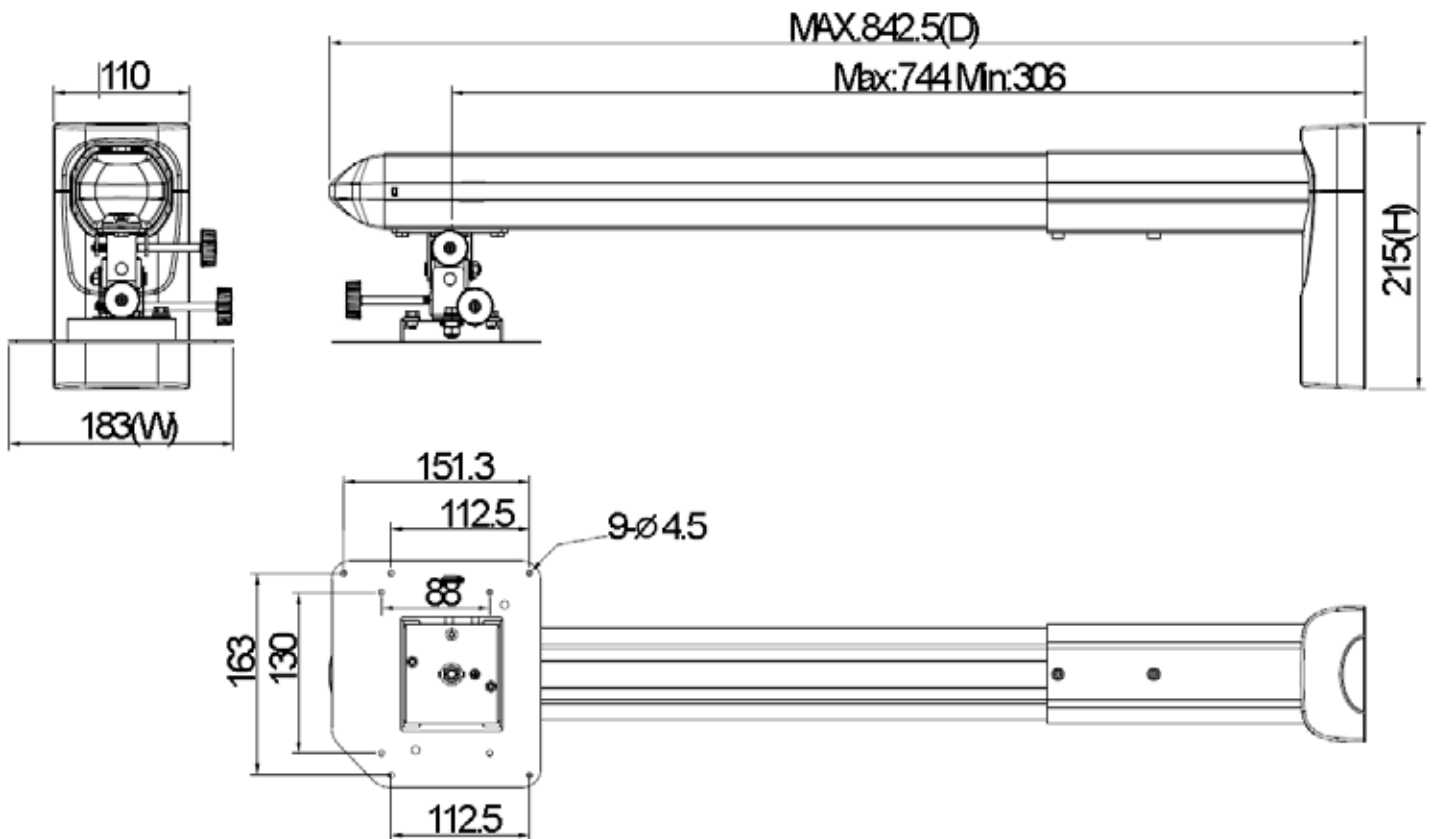
i3PROJECTOR MOUNT LARGE (MAX 842.5MM)

SPECIFICATIONS

Screw type	M4
Material	Steel/Aluminium Alloy/Plastic
Dimension (W x H x D)	183*215*842.5 mm
Weight (net)	3.03 kg
Swivel	+/- 10°
Support Max. Weight	15 kg
Max. Distance to the wall	744 mm
Wall mount tilt	+/- 5°
Projector tilt	+/- 10°
Horizontal lateral move	+/- 20mm



TECHNICAL DRAWING



AUTHORISED DISTRIBUTOR

