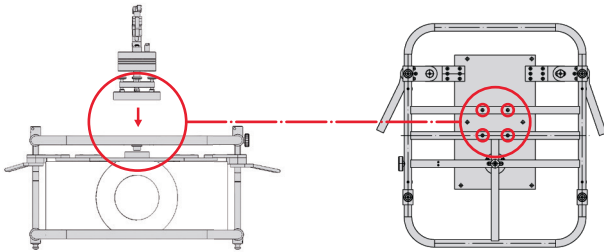






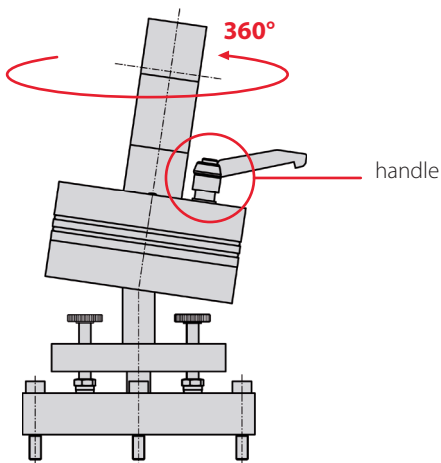


# INSTALLING THE TRUSS MOUNT



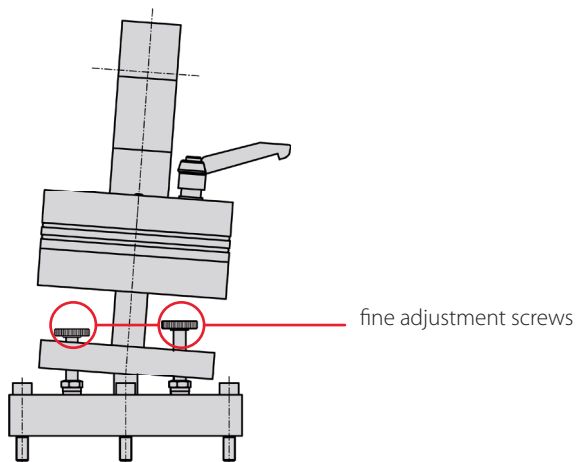
Place the truss mount on the rear side of the frame. Make sure that the 4 screws enter the 4 holes in the frame. Tighten the screws to secure the truss mount on the frame.

# ADJUSTMENT OPTIONS



When turning the handle on the truss mount, it becomes mobile and can be rotated by 360°.

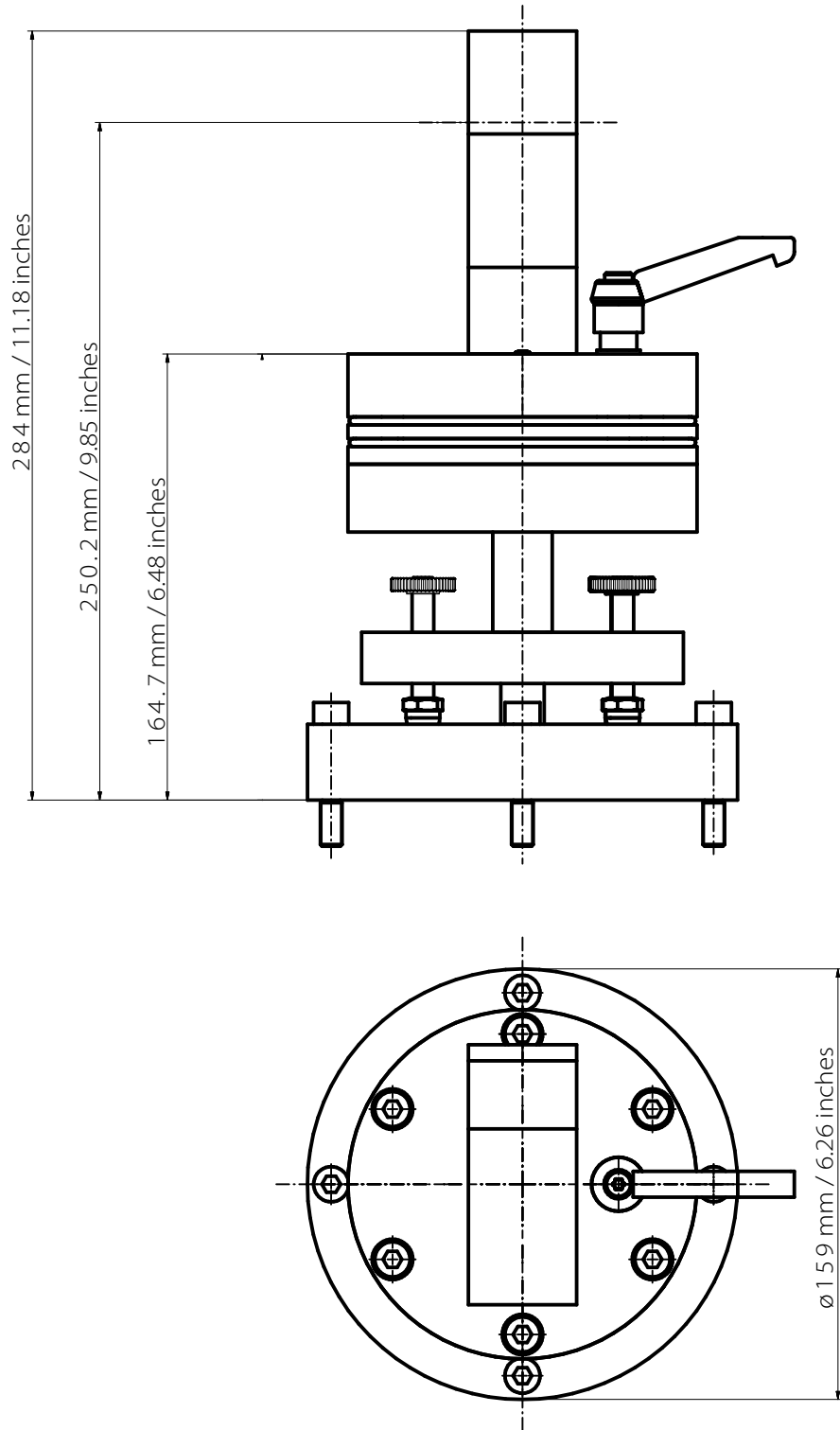
The inclination angle can be adjusted by 10% at the upper part (rough adjustment) and by 2% at the lower part (fine adjustment).



By means of the 4 adjustment screws, the position of the mount can be defined very precisely.

# DIMENSIONS 8

Weight: 8,80 kg







Made in Germany  
for



by Sager Metallbearbeitung

[www.lang-ag.com](http://www.lang-ag.com)

03/17