

# NEC M Series Wall Mount (NP03WK)

ORDER CODE: 100012864

NEC Wall Mount - Projectors

Solid wall mount for all NEC M Series short-throw projectors.

## DELIVERING GENUINE BENEFITS

Specifically designed for NEC M Series short-throw models

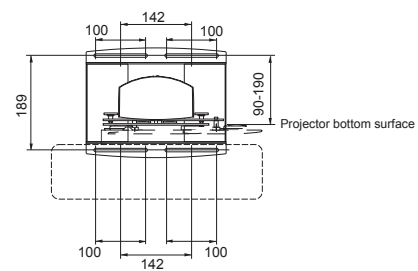
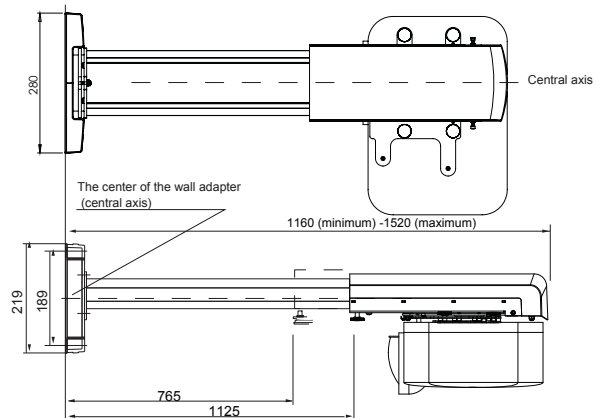
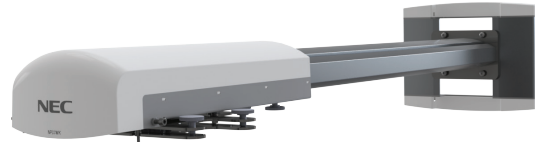
Compatible to height adjustable systems

- NP01HWM (Manual Height Adjustable WM) 100012760
- NP02HW (Height Adjustable Wall Mount) 100012782

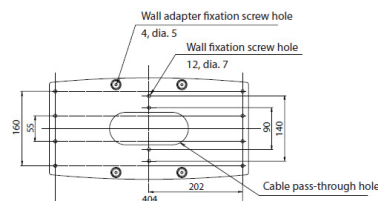
Very easy and fast 4-step installation

Cost efficient

Technical Specifications WallMount for M Series	
WEIGHT OF WALL MOUNT	10.5 kg
SUITABLE BOARD SIZES	80"-100",4:3 80"-100",16:10
ADJUSTMENT ANGLE	Up-down angle $\pm 3^\circ$ , left-right angle $\pm 3^\circ$ , inclination angle $\pm 10^\circ$
ADJUSTMENT WIDTH	Front-rear $\pm 180$ mm, left-right $\pm 50$ mm, up-down $\pm 50$ mm
PACKAGING DIMENSIONS (MM)	335 x 150 x 1180
PACKAGING WEIGHT	14 kg
SUPPORTED PROJECTORS	Any NEC M Series short-throw projector
SUPPORTED WALL MOUNT	NP01HWM (Board max. H=1.5m; max.27kg) NP02HW (Board max. H=1.5m; max.40kg)
WARRANTY	5 years warranty
For additional pictures and solutions overview, visit <a href="http://www.nec-display-solutions.com">www.nec-display-solutions.com</a> for details.	



### Optional wall plate



NEC Information:

Call: +49 (0)89/99 699-0

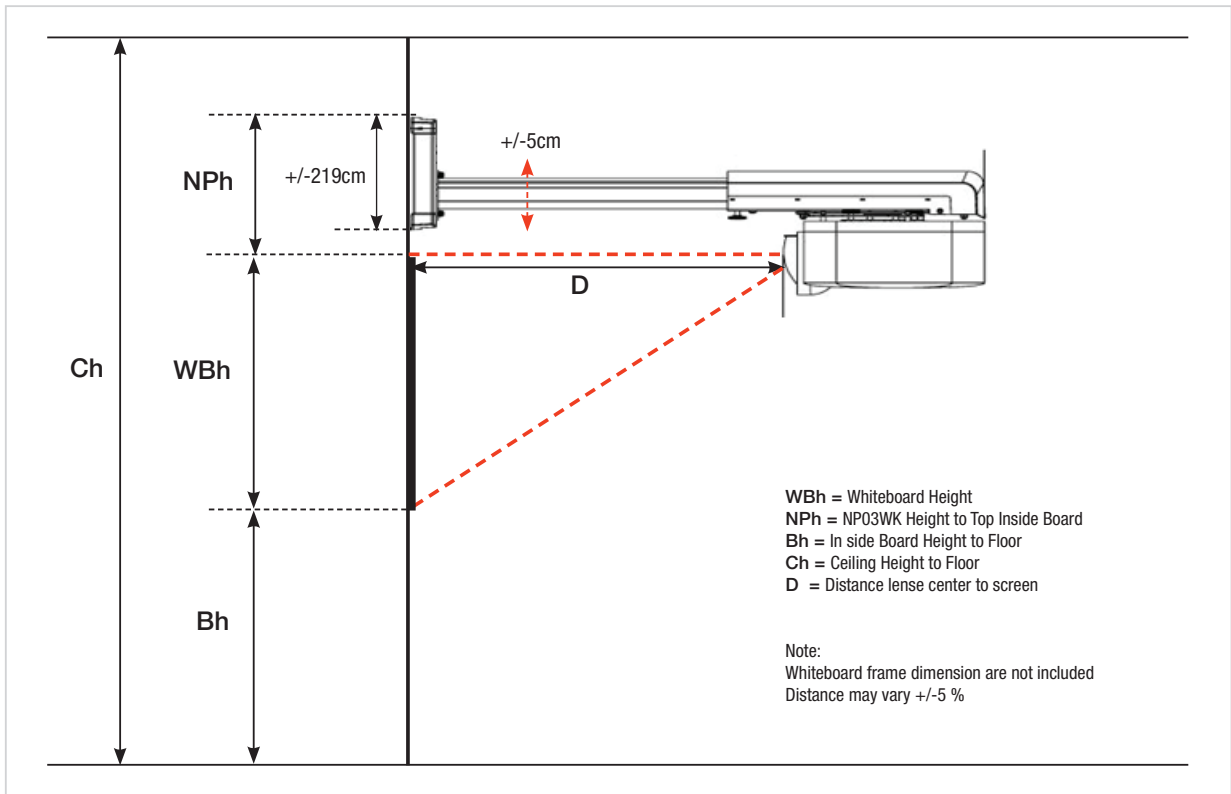
Email: [infomail@nec-displays.com](mailto:infomail@nec-displays.com)

M260XS, M300XS, M350XS

Diagonal inch	Diagonal mm	Width mm	High mm	D mm	NPh mm
80	2032	1626	1219	784	226
82	2083	1666	1250	806	226
85	2159	1727	1295	837	226
87	2210	1768	1326	858	226
90	2286	1829	1372	890	226
95	2413	1930	1448	943	226
100	2540	2032	1524	996	226

M260WS, M300WS

Diagonal inch	Diagonal mm	Width mm	High mm	D mm	NPh mm
80	2032	1723	1077	835	328
82	2083	1766	1104	857	330
85	2159	1831	1144	891	334
87	2210	1874	1171	913	337
95	2413	2046	1279	1003	348
97	2464	2089	1306	1025	351
100	2540	2154	1346	1059	355



Supported wall mounts for whiteboards



NP02HW



NP01HWM