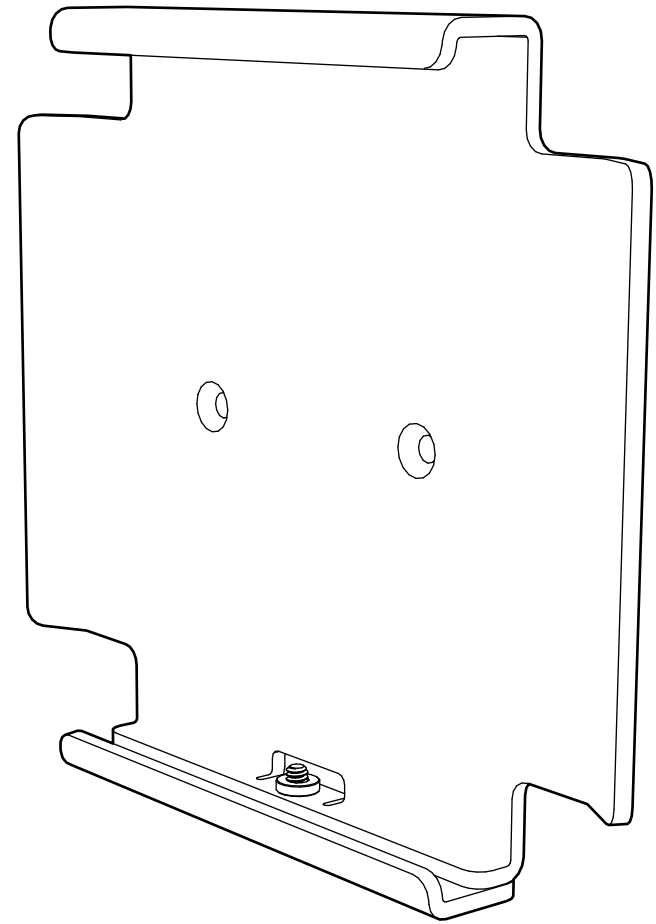




Secure Mount

for JOAN Meeting Room Booking

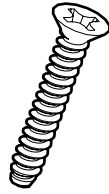


2x



Drywall Anchor

2x



Drywall Anchor Screw

1x



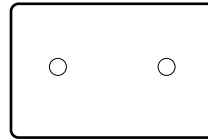
T10 Security Torx Key

2x



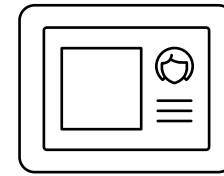
Alcohol Pad

1x



Double-Sided Adhesive Pad
for Glass Mounting

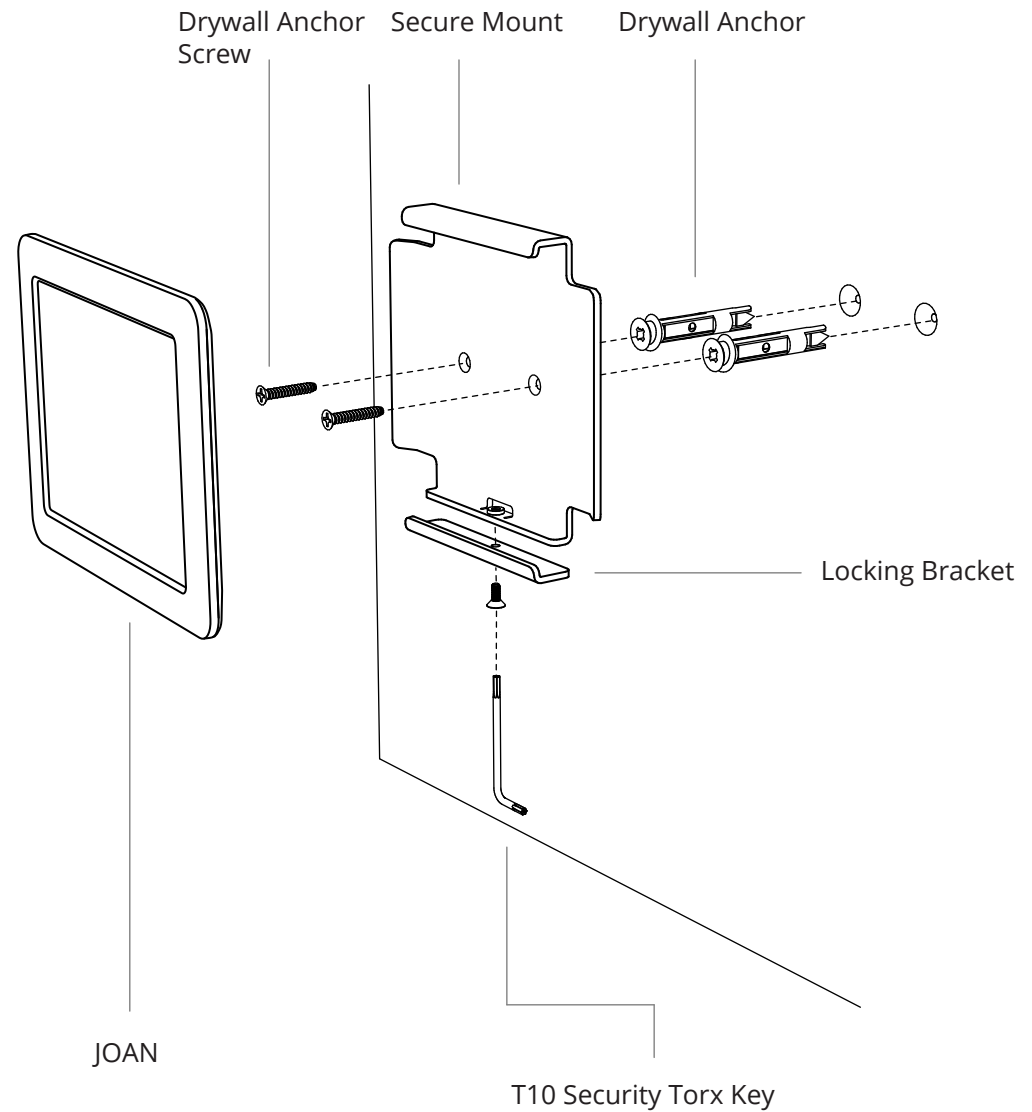
1x



JOAN Room
Booking device

Mounting To Drywall

- 1 Install Drywall Anchor Screws into the wall.
- 2 Fasten Secure Mount to the wall.
- 3 Loosen Locking Bracket.
- 4 Insert JOAN topmost side first.
- 5 Tighten Locking Bracket.



Mounting To Glass

- 1 Clean glass with Alcohol Pad.
- 2 Adhere the Double-Sided Adhesive Pad on the glass.
- 3 Clean the Secure Mount with Alcohol Pad.
- 4 Adhere the Secure Mount to the Adhesive Pad.
- 5 Wait one hour.
- 6 Loosen the Locking Bracket.
- 7 Insert JOAN topmost side first.
- 8 Tighten the Locking Bracket.

