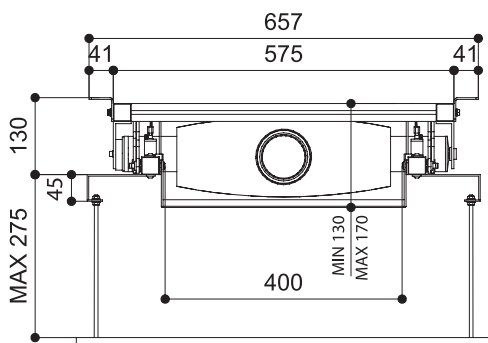


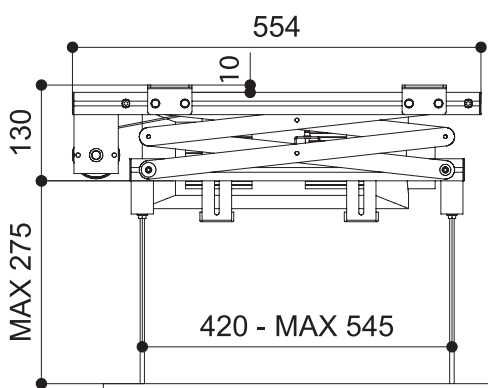
TECHNICAL DATA*

Power supply:	230 V 50 HZ
Max power consumption:	156 W
Motor speed:	17 Rpm
Motor performance:	10 Nm
Dimension (lift closed) (for projectors with a max height 8.5 cm):	575 x 130 x 554 mm (WxHxD)
Dimension (lift closed) (for projectors with a max height 14 cm):	575 x 170 x 554 mm (WxHxD)
Dimension (lift open):	575 x 480 x 554 mm (WxHxD)
Max dimension of projector:	400 x 140 x 450 mm (WxHxD)
Max load:	15 KG
Net weight of lift:	11 KG

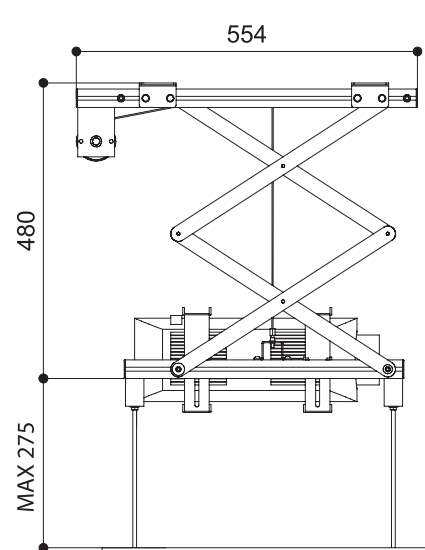
FRONTAL VIEW "LIFT CLOSED"*



SIDE VIEW "LIFT CLOSED"*



SIDE VIEW „LIFT OPEN“*



* All dimensions provided are in mm. We do not take responsibility for any mistakes or printing errors. Due to continuous technical improvements, we reserve the right to change design and specifications without prior notice.