

SOLUM SIGNAGE

Smart Signage User Manual

WS32FAEAA**HSM		WS43UAEHA**HSM	
WS43UAEAA**HSM		WS50UAEHA**HSM	
WS50UAEAA**HSM		WS55UAEHA**HSM	
WS55UAEAA**HSM		WS65UAEHA**HSM	
WS65UAEAA**HSM		WS75UAEHA**HSM	
		WS86UAEHA**HSM	

ENGLISH

** = U* → United States

** = E* → Europe

** = N* → New Zealand (N0), Australia (N1)

CONTENTS

01

PREPARATIONS	04	Checking the Components
	06	Parts
	07	Ports
	08	Before Installing the Product
	10	Installing the Wall Mount
	11	Wall Mount Kit Specifications (VESA)

02

SPECIFICATIONS

03

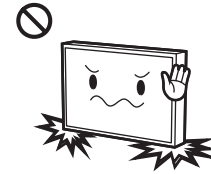
APPENDIX

04

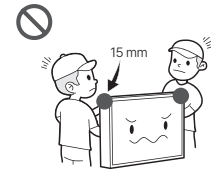
SAFETY INFORMATION

Precautions When Handling the Panel

The color and the appearance may differ depending on the model.



Do not stand the product as shown in the image.
The panel is fragile and can get damaged.



Do not hold or grasp any area of the product within 15 mm
from the front.

PREPARATIONS

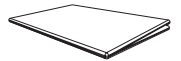
Checking the Components

Contact the vendor where you purchased the product if any components are missing.

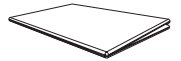
The appearance of the components may differ from the images shown.

A stand is not provided with the product.

Quick setup guide



User manual



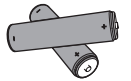
Warranty guide
(Not available in some locations)



Power cord



Batteries (AAA x 2)
(Not available in some locations)



Remote control



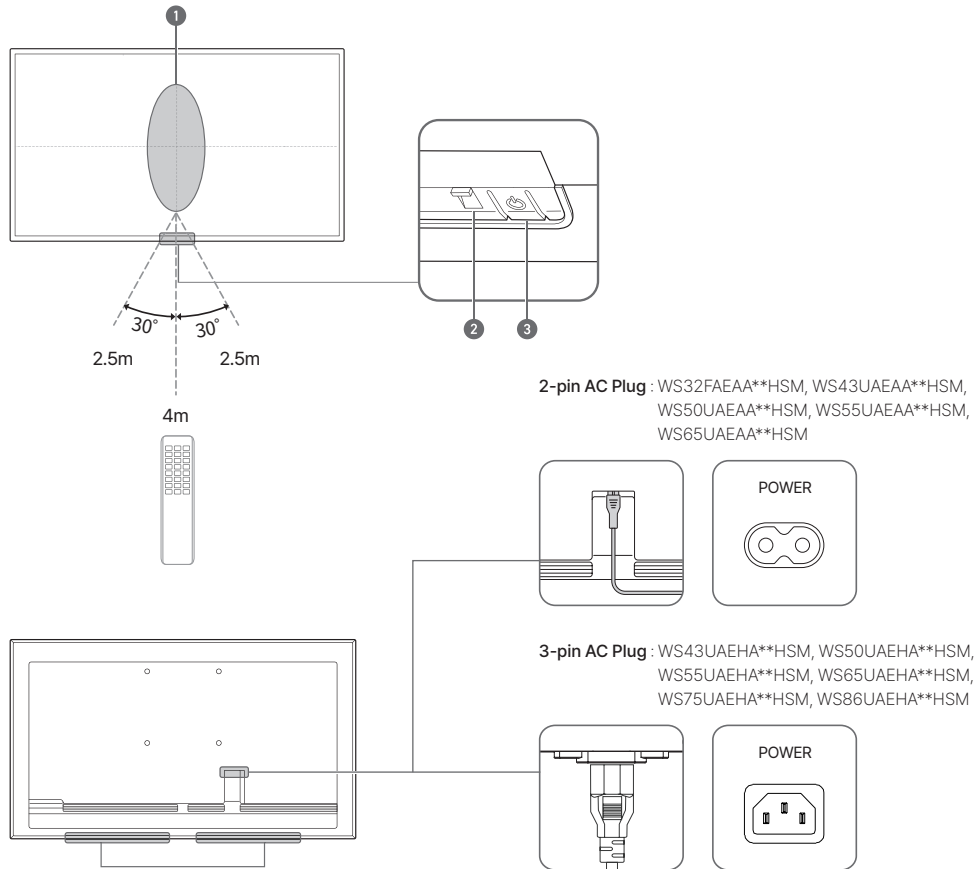
HDMI cable



Wall mount bracket set (1 ea)



Parts

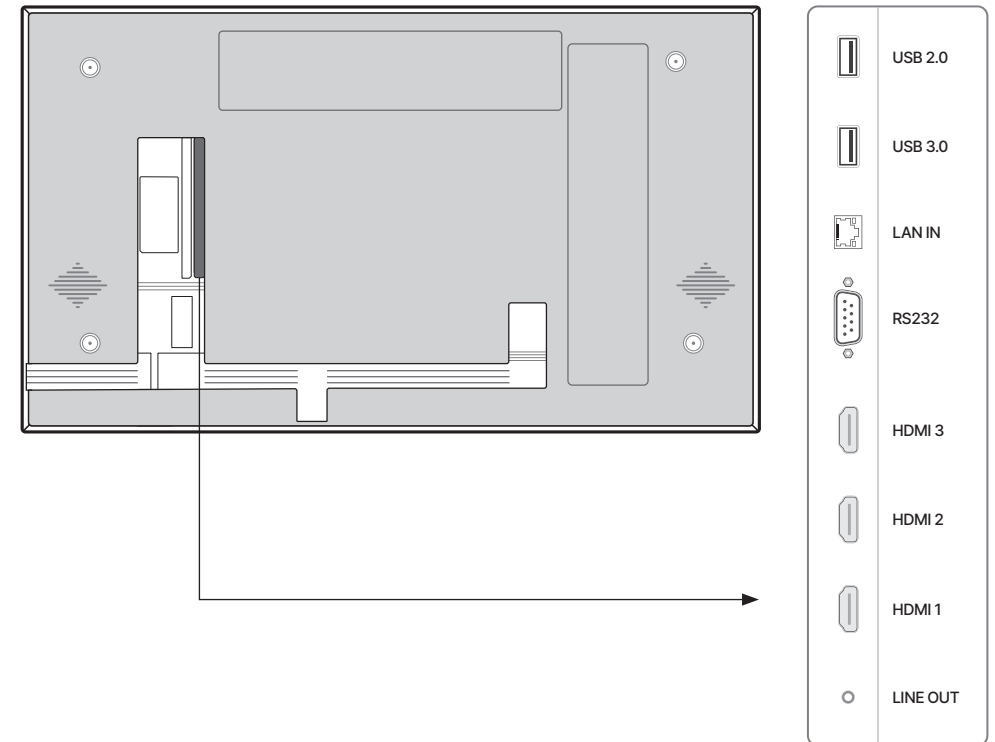


The color and shape of parts may differ from what is shown.
Specifications are subject to change without notice to improve quality.

- 1 Remote sensor**
Press a button on the remote control pointing at the sensor on the product to perform the corresponding function.
*Using other display devices in the same space as the remote control of this product can cause the other display devices to be inadvertently controlled.
- 2 Power indicator & Remote sensor**
- 3 Power button**
Turns the product on or off.

Use the remote control within 2.5 m to 4 m from the sensor on the product at an angle of 30° from the left and right.
Note: The actual product may differ from the illustrations shown in this manual.

Ports



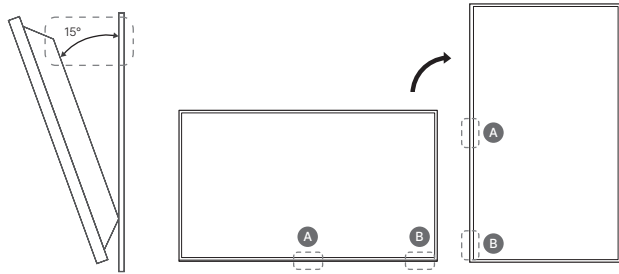
Port	Description
USB2.0 (0.5A)	Connect to a USB memory device. The USB ports on the product accept a maximum constant current of 0.5A. If the maximum value is exceeded, USB ports may not work.
USB3.0 (0.9A)	Connect to a USB memory device. The USB ports on the product accept a maximum constant current of 0.9A. If the maximum value is exceeded, USB ports may not work.
LAN IN	Connects to the internet using a LAN cable. (10/100 Mbps) Use Cat7 (*STP Type) cable for the connection. *Shielded Twist Pair.
RS232C	Connects to using an RS232C adapter.
HDMI1 / HDMI2 / HDMI3	Connects to a source device using a HDMI cable or HDMI-DVI cable.
LINE OUT	Outputs sound to an audio device via an audio cable.

Before Installing the Product (Installation Guide)

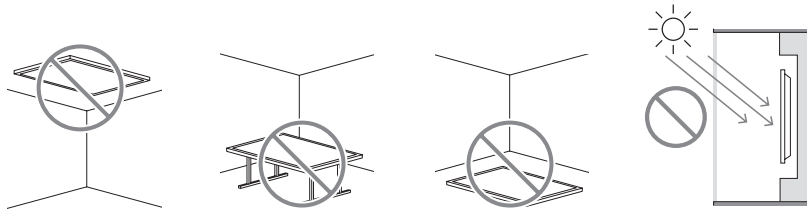
To prevent injury, this apparatus must be securely attached to the floor/wall in accordance with the installation instructions.

- Ensure that an authorised installation company installs the wall mount.
- Otherwise, it may fall and cause personal injury.
- Make sure to install the specified wall mount.

- The product can be tilted at a maximum angle of 15° from a perpendicular wall surface.
- To use the product in Portrait mode, rotate clockwise until the power indicator (A or B) is positioned as shown in the images below.



Do not use this model installed on a ceiling, floor, or table.
Keep the product away from direct sunlight. The product can be damaged.



* Prolonged exposure of this product to direct sunlight or ultraviolet (UV) rays may cause screen discoloration, image retention (burn-in), or panel damage. These phenomena are characteristics of the product under certain operating environments and are not covered by the product warranty. To protect your device, please avoid exposure to direct sunlight and UV radiation during use.

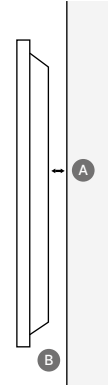
Ventilation

Contact SOLUM for further details.

Installation on a Perpendicular Wall

- Ⓐ Minimum 40 mm
- Ⓑ Ambient temperature: Under 35 °C

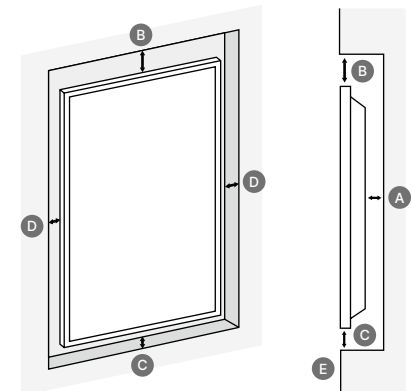
When installing the product on a perpendicular wall, allow at least 40 mm of space between the product and wall surface for ventilation and ensure that the ambient temperature is kept below 35 °C.



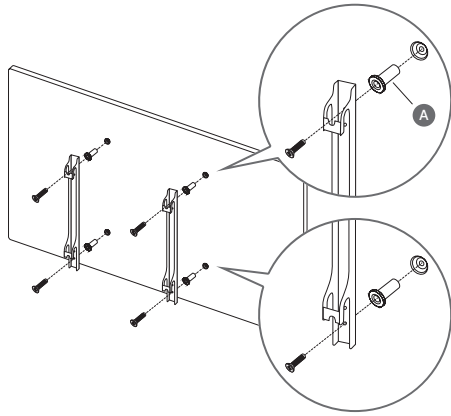
Installation on an Indented Wall

- Ⓐ Minimum 40 mm
- Ⓑ Minimum 70 mm
- Ⓒ Minimum 50 mm
- Ⓓ Minimum 50 mm
- Ⓔ Ambient temperature: Under 35 °C

When installing the product on an indented wall, allow at least the space specified above between the product and wall for ventilation and ensure that the ambient temperature is kept below 35 °C.



Installing the Wall Mount



Preparing before installing Wall-Mount

To install a wall-mount from another manufacturer, use the Holder-Ring.

- Ⓐ These items are included in the wall mount package, and may not be supplied depending on the wall mount type.

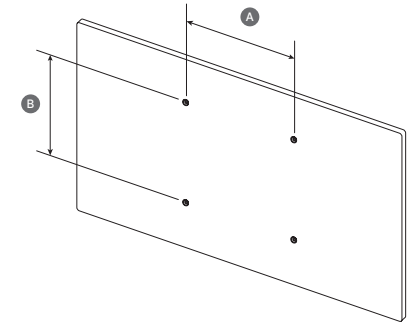
Installing the Wall Mount

- The wall mount kit (sold separately) allows you to mount the product on the wall.
- The provided image is only for reference. For detailed information on installing the wall mount, see instructions provided with the wall mount.
- We recommend you contact a technician for assistance when installing the wall mount bracket.
- SOLUM is not responsible for any damage to the product or injury to yourself or others if you select to install the wall mount on your own.

* Install the product with easy access to the plug.

Wall Mount Kit Specifications (VESA)

Install your wall mount on a solid wall perpendicular to the floor. To install the product on the other wall area, contact the nearest agency.
If you install the product on a slanted wall, it may fall and result in severe personal injury.



- SOLUM wall mount kits contain a detailed installation manual and all parts necessary for assembly are provided.
- Do not use screws that are longer than the standard length or do not comply with the VESA standard screw specifications. Screws that are too long may cause damage to the inside of the product.
- For wall mounts that do not comply with the VESA standard screw specifications, the length of the screws may differ depending on the wall mount specifications.
- Do not fasten the screws too firmly. This may damage the product or cause the product to fall, leading to personal injury. SOLUM is not liable for these kinds of accidents.
- SOLUM is not liable for product damage or personal injury when a non-VESA or non-specified wall mount is used or the consumer fails to follow the product installation instructions.
- Do not mount the product at more than a 15 degree tilt.
- Always have at least two people mount the product on a wall. (Four or more people for the 82-inch size and larger models.)
- Standard dimensions for wall mount kits are shown in the table below.

* Install the product with easy access to the plug.

Model name	VESA screw hole specs (A * B) in millimetres	Standard screw	Quantity
WS32FAEAA**HSM	150 x 200	M6	4
WS43UAEAA**HSM	400 x 300		
WS50UAEAA**HSM	400 x 300		
WS55UAEAA**HSM	300 x 400		
WS65UAEAA**HSM	400 x 400		
WS43UAEHA**HSM	300 x 300		
WS50UAEHA**HSM	400 x 300	M8	
WS55UAEHA**HSM	400 x 400		
WS65UAEHA**HSM	500 x 500		
WS75UAEHA**HSM	500 x 500		
WS86UAEHA**HSM	700 x 500		

Do not install your Wall Mount Kit while your product is turned on. It may result in personal injury due to electric shock.

SPECIFICATIONS

Model name	WS32FAEAA**HSM	WS43UAEAA**HSM	WS50UAEAA**HSM	WS55UAEAA**HSM	WS65UAEAA**HSM	
Panel	Size	32"	43"	50"	55"	65"
	Display area (H x V)	698.4 × 392.85 mm	941.184 × 529.416 mm	1,095.84 × 616.41 mm	1,209.6 × 680.4 mm	1,428.48 × 803.52 mm
Resolution	1,920 × 1,080 @60 Hz	3,840 × 2,160 @60 Hz	3,840 × 2,160 @60 Hz	3,840 × 2,160 @60 Hz	3,840 × 2,160 @60 Hz	
Power supply	AC 100-240 V~ 50/60 Hz Refer to the label at the back of the product as the standard voltage can vary in different countries.		AC 100-240 V~ 50/60 Hz Refer to the label at the back of the product as the standard voltage can vary in different countries.			
Environmental considerations	Operating	Temperature: 0 °C – 40 °C (32 °F – 104 °F) * For installing the enclosure, keep the internal temperature at 40 °C or below. Humidity: 20% – 80%, non-condensing		Temperature: 0 °C – 40 °C (32 °F – 104 °F) * For installing the enclosure, keep the internal temperature at 40 °C or below. Humidity: 20% – 80%, non-condensing		
	Storage	Temperature: -20 °C – 60 °C (-4 °F – 140 °F) Humidity: 5% – 95%, non-condensing * Applicable before the product package is unpacked.		Temperature: -20 °C – 60 °C (-4 °F – 140 °F) Humidity: 5% – 95%, non-condensing * Applicable before the product package is unpacked.		
Product size (W x D x H)	724.6 × 40 × 419.8 mm	967.4 × 40 × 555.9 mm	1,125.8 × 41 × 646.8 mm	1,239.7 × 38.6 × 712.5 mm	1,459.2 × 38.9 × 837.1 mm	
Product weight	5.4 kg	9.1 kg	12.6 kg	17.6 kg	25.3 kg	
Max. RF output power (Only for EU)	20.88 dBm (n HT40)	20.88 dBm (n HT40)	20.88 dBm (n HT40)	20.88 dBm (n HT40)	20.88 dBm (n HT40)	

Model name	WS43UAEHA**HSM	WS50UAEHA**HSM	WS55UAEHA**HSM	WS65UAEHA**HSM	WS75UAEHA**HSM	WS86UAEHA**HSM	
Panel	Size	43"	50"	55"	65"	75"	86"
	Display area (H x V)	941.184 × 529.416 mm	1,095.84 × 616.41 mm	1,209.6 × 680.4 mm	1,428.48 × 803.52 mm	1,650.24 × 928.26 mm	1,895.04 × 1,065.96 mm
Resolution	3,840 × 2,160 @60 Hz	3,840 × 2,160 @60 Hz	3,840 × 2,160 @60 Hz	3,840 × 2,160 @60 Hz	3,840 × 2,160 @60 Hz	3,840 × 2,160 @60 Hz	
Power supply	AC 100-240 V~ 50/60 Hz Refer to the label at the back of the product as the standard voltage can vary in different countries.		AC 100-240 V~ 50/60 Hz Refer to the label at the back of the product as the standard voltage can vary in different countries.				
Environmental considerations	Operating	Temperature: 0 °C – 40 °C (32 °F – 104 °F) * For installing the enclosure, keep the internal temperature at 40 °C or below. Humidity: 20% – 80%, non-condensing		Temperature: 0 °C – 40 °C (32 °F – 104 °F) * For installing the enclosure, keep the internal temperature at 40 °C or below. Humidity: 20% – 80%, non-condensing			
	Storage	Temperature: -20 °C – 60 °C (-4 °F – 140 °F) Humidity: 5% – 95%, non-condensing * Applicable before the product package is unpacked.		Temperature: -20 °C – 60 °C (-4 °F – 140 °F) Humidity: 5% – 95%, non-condensing * Applicable before the product package is unpacked.			
Product size (W x D x H)	971 × 70 × 560 mm	1,124.6 × 68.5 × 644.8 mm	1,238.4 × 70 × 709.2 mm	1,457.7 × 68.8 × 832.4 mm	1,679 × 68.8 × 957.1 mm	1,928.6 × 69 × 1,099.2 mm	
Product weight	8.4 kg	11 kg	13.4 kg	18.4 kg	28.8 kg	41 kg	
Max. RF output power (Only for EU)	20.88 dbm (n HT40)	20.88 dbm (n HT40)	20.88 dbm (n HT40)	20.88 dBm (n HT40)	20.88 dBm (n HT40)	20.88 dBm (n HT40)	

APPENDIX



Licence



The terms HDMI and HDMI High-Definition Multimedia Interface, and the HDMI Logo are trademarks or registered trademarks of HDMI Licensing LLC in the United States and other countries.

Open Source Licence Notice

In the case of using open source software, Open Source Licences are available on the product menu. Open Source Licence Notice is written only English. For information on the Open Source Licence Notice, contact the SOLUM. www.solum-group.com



THIS PRODUCT IS SOLD WITH A LIMITED LICENCE AND IS AUTHORISED TO BE USED ONLY IN CONNECTION WITH HEVC CONTENT THAT MEETS EACH OF THE THREE FOLLOWING QUALIFICATIONS: (1) HEVC CONTENT ONLY FOR PERSONAL USE; (2) HEVC CONTENT THAT IS NOT OFFERED FOR SALE; AND (3) HEVC CONTENT THAT IS CREATED BY THE OWNER OF THE PRODUCT.

THIS PRODUCT MAY NOT BE USED IN CONNECTION WITH HEVC ENCODED CONTENT CREATED BY A THIRD PARTY, WHICH THE USER HAS ORDERED OR PURCHASED FROM A THIRD PARTY, UNLESS THE USER IS SEPARATELY GRANTED RIGHTS TO USE THE PRODUCT WITH SUCH CONTENT BY A LICENSED SELLER OF THE CONTENT. YOUR USE OF THIS PRODUCT IN CONNECTION WITH HEVC ENCODED CONTENT IS DEEMED ACCEPTANCE OF THE LIMITED AUTHORITY TO USE AS NOTED ABOVE.

SAFETY INFORMATION

FCC Statement

This device complies with part 15 of the FCC Rules. Operation is subject to the following two conditions:

- (1) This device may not cause harmful interference, and
- (2) this device must accept any interference received, including interference that may cause undesired operation.

[WS32FAEAA**HSM, WS43UAEAA**HSM, WS50UAEAA**HSM WS55UAEAA**HSM, WS65UAEAA**HSM, WS55UAEHA**HSM, WS75UAEHA**HSM, WS86UAEHA**HSM] This equipment has been tested and found to comply with the limits for a Class B digital device, pursuant to Part 15 of the FCC Rules. These limits are designed to provide reasonable protection against harmful interference in a residential installation. This equipment generates uses and can radiate radio frequency energy and, if not installed and used in accordance with the instructions, may cause harmful interference to radio communications. However, there is no guarantee that interference will not occur in a particular installation. If this equipment does cause harmful interference to radio or television reception, which can be determined by turning the equipment off and on, the user is encouraged to try to correct the interference by one or more of the following measures:

- Reorient or relocate the receiving antenna.
- Increase the separation between the equipment and receiver.
- Connect the equipment into an outlet on a circuit different from that to which the receiver is connected.
- Consult the dealer or an experienced radio/TV technician for help.

Warning

Changes or modifications not expressly approved by this device could void the user's authority to operate the equipment. This device with its antenna complies with FCC/IC RF exposure limits for general population / uncontrolled exposure.

Radiation Exposure Statement:

This equipment complies with FCC radiation exposure limits set forth for an uncontrolled environment. This equipment should be installed and operated with minimum distance 20cm between the radiator & your body.

Industry Canada Statement

[WS32FAEAA**HSM, WS43UAEAA**HSM, WS50UAEAA**HSM, WS55UAEAA**HSM, WS65UAEAA**HSM, WS55UAEHA**HSM, WS75UAEHA**HSM, WS86UAEHA**HSM]

This device complies with ISED's licence-exempt RSSs. Operation is subject to the following two conditions:

1. This device may not cause harmful interference, and
2. this device must accept any interference received, including interference that may cause undesired operation.

Radiation Exposure Statement:

This equipment complies with ISED radiation exposure limits set forth for an uncontrolled environment. This equipment should be installed and operated with greater than 20cm between the radiator & your body.

Le présent appareil est conforme aux CNR d'ISED applicables aux appareils radio exempts de licence. L'exploitation est autorisée aux deux conditions suivantes:

1. le dispositif ne doit pas produire de brouillage préjudiciable, et
2. ce dispositif doit accepter tout brouillage reçu, y compris un brouillage susceptible de provoquer un fonctionnement indésirable.

Déclaration d'exposition aux radiations:

Cet équipement est conforme aux limites d'exposition aux rayonnements ISED établies pour un environnement non contrôlé. Cet équipement doit être installé et utilisé à plus de 20 cm entre le radiateur et votre corps.

European Regulatory Compliance

This device can be operated in at least one Member State without infringing applicable requirements on the use of radio spectrum.

WiFi 5.15 ~ 5.25 GHz band = Indoor use only.

Important Safety Instructions



The lightning with arrow symbols inside the equilateral triangle is designed to remind users that there is a non-insulating "dangerous voltage" inside the product casing, which may be strong enough to constitute a risk of electric shock.

WARNING

- 1 To reduce the risk of electric shock, do not remove the cover (or back) as there are no user repairable components inside. Transfer the repair to qualified personnel.
- 2 The exclamation mark inside the equilateral triangle is intended to alert users of important operation and maintenance instructions in the literature accompanying the device.
- 3 Do not install this device in enclosed or building spaces such as bookcases or similar devices, and maintain good ventilation conditions in open spaces. The ventilation openings should not be impeded with items such as newspaper table-cloths, curtains, etc.
- 4 Before installing or operating the device and refer to the information on the external bottom casing for electrical and safety information.
- 5 The power plug/electrical pair is used as a disconnected device, and should remain operable.
- 6 To reduce the risk of fire or electric shock, do not expose this device to rainy or damp environments. The device shall not drip or splash, and objects filled with liquid (such as vases) shall not be placed on the device.
- 7 Batteries (batteries or battery packs) should not be exposed to excessive heat such as sunlight or sparks.
- 8 Do not place the device in an unstable position. The device may fall, causing serious personal injury or death. Many injuries, especially to children, can be avoided by taking simple preventive measures, such as:
 - Use cabinets or brackets recommended by the device manufacturer.
 - Only use furniture that can safely support the device.
 - Do not place the device on tall furniture (such as cabinets or bookcases) without fixing the furniture and device on suitable brackets.
 - Do not place the device on the cloth or other materials between the device and the supporting furniture.
 - Educate children about the dangers of climbing onto furniture to come into contact with the device or its control devices. If your existing device is retained and located, the same precautions should be applied as mentioned above.
- 9 Do not place open flames, such as lighting candles, on the device.
- 10 Keep a minimum distance of 5cm around all edges of the device for sufficient ventilation.
- 11 Hanging the device on the wall.

Warning: This operation requires two people.
To ensure a safe installation, observe the following safety notes:

 - Check that the wall can support the weight of the device and all mount assembly.
 - Follow the mounting instructions provided.
 - The device must be installed on a vertical wall.
 - Make sure to use screws only suitable for material of the wall.
 - Make sure that the cables are placed so that there is not any danger of tripping over them.

All other safety instructions about our device are also applicable here.

※ Note: Illustrations in this publication are provided for reference only.

Notes for battery disposal

The batteries used in this device contain chemicals that are harmful to the environment. To preserve our environment, dispose of used batteries according to local laws or regulations. Do not dispose of batteries with regular household waste. For more information, please contact the local authority or the retailer where you purchased the device.

All trademarks are the property of their respective owners and all rights are acknowledged.



[WS32FAEAA**HSM, WS43UAEAA**HSM, WS50UAEAA**HSM, WS55UAEAA**HSM, WS65UAEAA**HSM]

This device is a Class II or double-insulate electrical appliance. It has been designed so that it does not require a safety connection to electrical earth.



To prevent a prolonged fire, always keep candles or other open flames away from this device.



Correctly dispose of this device. This marking indicates that this device should not be disposed with other household wastes throughout the EU. To prevent possible harm to the environment or human health from uncontrolled waste disposal, recycle it responsibly to promote the sustainable reuse of material resources.
To return your used device, please use the return and collection systems or contact the retailer where the device was purchased. They can take the device for environmentally safe recycling.

SOLUM

EUROPE : eu.support.ds@solum-group.com / +49 6196 780 74 82

USA : dssupport@solum-group.com / +1-877-345-2830

REPUBLIC OF KOREA : +82-1566-7767

JAPAN : sjc_info@solum-group.com / +81-(0)3-6273-3538

SINGAPORE : yigichul@solum-group.com / +65-9790-0550

CENTRAL AND SOUTH AMERICA

MEXICO : sokmin.lee@solum-group.com / +52-5572110502

BRAZIL : paulomortore@solum-group.com / +55 11972451001