

Acer Projector

XL2520/FL052/LU-X110F/PF-L110F/
XL2520i/D1P2204

XL2320W/FL022/LU-X110W/
PF-L110W/DWX2202

XL2220/FL012/LU-X110X/
PF-L110X/DNX2201

PL2520i/FL153/LU-P210F/PF-L210F/
PL2520/VL7530i/D1P2207/

XL2330W/PL2330W/FL124/LU-P220W/
PF-L220W/DWX2415/FL023/LU-X111W/

PF-L111W/DWX2302/XL2530/FL053/
LU-X111F/PF-L111F/XL2530i/D1P2303/

PL2530i/PL2535i/ FL155/ LU-P221F/
PF-L221F/ PL2530it/ PL2535it/FL154/
LU-P220F/PF-L220F/PL2530/D1P2304/

XL2332

User's Guide

Copyright © 2024. Acer Incorporated.
All Rights Reserved.

Acer Projector User's Guide
Original Issue: 08/2024

Changes may be made periodically to the information in this publication without obligation to notify any person of such revisions or changes. Such changes will be incorporated in new editions of this manual or supplementary documents and publications. This company makes no representations or warranties, either expressed or implied, with respect to the contents hereof and specifically disclaims the implied warranties of merchantability or fitness for a particular purpose.

Record the model number, serial number, purchase date and place of purchase information in the space provided below. The serial number and model number are recorded on the label affixed to your projector. All correspondence concerning your unit should include the serial number, model number and purchase information.

No part of this publication may be reproduced, stored in a retrieval system, or transmitted, in any form or by any means, electronically, mechanically, by photocopy, recording or otherwise, without the prior written permission of Acer Incorporated.

Model number: _____

Serial number: _____

Date of purchase: _____

Place of purchase: _____

Acer and the Acer logo are registered trademarks of Acer Incorporated. Other companies' product names or trademarks are used herein for identification purposes only and belong to their respective companies.

HDMI™, the HDMI logo and High-Definition Multimedia Interface are trademarks or registered trademarks of HDMI Licensing Administrator, Inc.



Information for your safety and comfort

Read these instructions carefully. Keep this document for future reference. Follow all warnings and instructions marked on the product.

Turning the product off before cleaning

Unplug this product from the wall outlet before cleaning. Do not use liquid cleaners or aerosol cleaners. Use a damp cloth for cleaning.

Caution for plug as disconnecting device

Observe the following guidelines when connecting and disconnecting power to the external power supply unit:

- Install the power supply unit before connecting the power cord to the AC power outlet.
- Unplug the power cord before removing the power supply unit from the projector.
- If the system has multiple sources of power, disconnect power from the system by unplugging all power cords from the power supplies.

Caution for Accessibility

Be sure that the power outlet you plug the power cord into is easily accessible and located as close to the equipment operator as possible. When you need to disconnect power to the equipment, be sure to unplug the power cord from the electrical outlet.

Warning!

- Do not use this product near water.
- Do not place this product on an unstable cart, stand or table. If the product falls, it could be seriously damaged.
- Slots and openings are provided for ventilation to ensure reliable operation of the product and to protect it from overheating. These openings must not be blocked or covered. The openings should never be blocked by placing the product on a bed, sofa, rug or other similar surface.
- This product should never be placed near or over a radiator or heat register, or in a built-in installation unless proper ventilation is provided.
- Never push objects of any kind into this product through cabinet slots as they may touch dangerous voltage points or short-out parts that could result in a fire or electric shock. Never spill liquid of any kind onto or into the product.
- To avoid damage of internal components and to prevent battery leakage, do not place the product on a vibrating surface.
- Never use it under sporting, exercising, or any vibrating environment which will probably cause unexpected short current or damage rotor devices.

Using electrical power

- This product should be operated from the type of power indicated on the marking label. If you are not sure of the type of power available, consult your dealer or local power company.
- Do not allow anything to rest on the power cord. Do not locate this product where people will walk on the cord.
- If an extension cord is used with this product, make sure that the total ampere rating of the equipment plugged into the extension cord does not exceed the extension cord ampere rating. Also, make sure that the total rating of all products plugged into the wall outlet does not exceed the fuse rating.
- Do not overload a power outlet, strip or receptacle by plugging in too many devices. The overall system load must not exceed 80% of the branch circuit rating. If power strips are used, the load should not exceed 80% of the power strip's input rating.
- This product's AC adapter is equipped with a three-wire grounded plug. The plug only fits in a grounded power outlet. Make sure the power outlet is properly grounded before inserting the AC adapter plug. Do not insert the plug into a non-grounded power outlet. Contact your electrician for details.

 **Warning!** The grounding pin is a safety feature. Using a power outlet that is not properly grounded may result in electric shock and/or injury.

Note: *The grounding pin also provides good protection from unexpected noise produced by other nearby electrical devices that may interfere with the performance of this product.*

- Use the product only with the supplied power supply cord set. If you need to replace the power cord set, make sure that the new power cord meets the following requirements: detachable type, UL listed/CSA certified, VDE approved or its equivalent, 4.5 meters (15 feet) maximum length.

Product servicing

Do not attempt to service this product yourself, as opening or removing covers may expose you to dangerous voltage points or other risks. Refer all servicing to qualified service personnel.

Unplug this product from the wall outlet and refer servicing to qualified service personnel when:

- the power cord or plug is damaged, cut or frayed
- liquid was spilled into the product
- the product was exposed to rain or water
- the product has been dropped or the case has been damaged
- the product exhibits a distinct change in performance, indicating a need for service
- the product does not operate normally after following the operating instructions

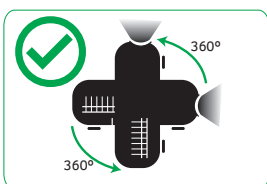
Note: *Adjust only those controls that are covered by the operating instructions, since improper adjustment of other controls may result in damage and will often require extensive work by a qualified technician to restore the product to normal condition.*

Warning! For safety reasons, do not use non-compliant parts when adding or changing components. Consult your reseller for purchase options.

Your device and its enhancements may contain small parts. Keep them out of the reach of small children.

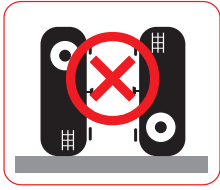
Additional safety information

- Do not look into the projector's lens when the light is on. The bright may hurt your eyes.
- Turn on the projector first and then signal sources
- Do not place the product in following environments:
 - Space that is poorly ventilated or confined. At least 50cm clearance from walls and free flow of air around the projector is necessary.
 - Locations where temperatures may become excessively high, such as inside of a car with all windows rolled up.
 - Locations where excessive humidity, dust, or cigarette smoke may contaminate optical components, shortening the life span and darkening the image.
 - Locations near fire alarms.
 - Locations with an ambient temperature above 40°C / 104°F.
 - Locations where the altitudes are higher than 10000 feet.
- Unplug immediately if there is something wrong with your projector. Do not operate if smoke, strange noise or odor comes out of your projector. It might cause fire or electric shock. In this case, unplug immediately and contact your dealer.
- Do not keep using this product to break or drop it. In this case contact your dealer for inspection.
- Do not face the projector lens to the sun. It can lead to fire.
- When switching the projector off, suggest to ensure the projector completes its cooling cycle before disconnecting power.
- Do not frequently turn off the main power abruptly or unplug the projector during operation. The best way is to wait for the fan to turn off before turning main power off.
- Do not touch air outlet grille and bottom plate which becomes hot.
- Do not look into the air outlet grille when projector is operating. It may hurt your eyes.
- Always open the lens shutter or remove the lens cap when the projector is on.
- Do not block the projector lens with any object when the projector is under operation as this could cause the object to become heated and deformed or even cause a fire.
- Do not attempt to disassemble this projector. There are dangerous high voltages inside which may hurt you. Refer servicing only to suitable qualified professional service personnel.
- Do not stand the projector on end vertically. It may cause the projector to fall over, causing injury or damage.
- 360° projection capability
Images can be projected over a full 360° range along the vertical axis, including reproduction on a ceiling or floor.



Portrait projection

Do not use the projector with it leaning to the left and right. This may result in a malfunction, however, portrait installation is possible.



Note:

- Please do not install the projector in a vertical orientation on the top of the floor or table on its own. The intake vent may be obstructed, resulting in the projector getting warm and the possibility of fire and malfunction occurring.
- When operating the projector in an enclosed space, allow at least 30 cm clearance around the intake and exhaust vents.

Caution for Listening

To protect your hearing, follow these instructions.

- Increase the volume gradually until you can hear clearly and comfortably.
- Do not increase the volume level after your ears have adjusted.
- Do not listen to music at high volumes for extended periods.
- Do not increase the volume to block out noisy surroundings.
- Decrease the volume if you can't hear people speaking near you.

Disposal instructions



Do not throw this electronic device into the trash when discarding. To minimize pollution and ensure utmost protection of the global environment, please recycle. For more information on the Waste from Electrical and Electronics Equipment (WEEE) regulations, visit <http://www.acer-group.com/public/Sustainability/sustainability01.htm>

Do not stare into the beam

IEC 60825-1:2014, EN 60825-1:2014+A11:2021,
EN 50689:2021 CLASS 1 CONSUMER LASER
PRODUCT RISK GROUP 2.

IEC 60825-1:2014 等級1雷射產品RG2危險等級
IEC 60825-1:2014 1类激光产品RG2危险等级

Laser Notice

IEC 60825-1:2014, EN 60825-1:2014+A11:2021: CLASS1 LASER PRODUCT- RISK GROUP 2

The product's intended use as a consumer laser product and compliant with EN 50689:2021.

CLASS 1 CONSUMER LASER PRODUCT

EN 50689:2021

Do not stare into beam, RG2

As with any bright source, do not stare into the direct beam, RG2 IEC 62471-5:2015.

WARNING: MOUNT ABOVE THE HEADS OF CHILDREN!
Do not look into the beam less than 1m.
No direct eye exposure to the beam is permitted.

"AVERTISSEMENT: INSTALLER AU-DESSUS DE LA TÊTE DES ENFANTS."
Avertissement supplémentaire contre l'exposition oculaire pour des expositions à une distance de moins de 1m.

「警告：安裝高於兒童頭頂！」
請勿在距離小於1米的範圍內直視光束，嚴禁眼睛直接暴露於光束中。

「警告：安裝高於兒童頭頂！」
請勿在距離小於1米的範圍內直視光束，嚴禁眼睛直接暴露於光束中。




- Notice is given to supervise children and to never allow them to stare into the projector beam at any distance from the projector.
- Notice is given to use caution when using the remote control for starting the projector while in front of the projection lens
- Notice is given to the user to avoid the use of optical aids such as binoculars or telescopes inside the beam.

Caution for remote button battery

1. Do not ingest battery, Chemical Burn Hazard.
2. This product contains a coin / button cell battery.
3. If the coin / button cell battery is swallowed, it can cause severe internal burns in just 2 hours and can lead to death.
4. Keep new and used batteries away from children.
5. If the battery compartment does not close securely, stop using the product and keep it away from children.
6. If you think batteries might have been swallowed or placed inside any part of the body, seek immediate medical attention.



⚠ WARNING	
<ul style="list-style-type: none">• INGESTION HAZARD: DEATH or serious injury can occur if ingested.• A swallowed button cell or coin battery can cause Internal Chemical Burns in as little as 2 hours.• KEEP new and used batteries OUT OF REACH OF CHILDREN• Seek immediate medical attention if a battery is suspected to be swallowed or inserted inside any part of the body.• For treatment information call: [phone number for the National Battery Ingestion Hotline, currently 1-(800) 498-8666].	

First things first

Usage Notes

Do:

- Turn off the product before cleaning.
- Use a soft cloth moistened with mild detergent to clean the displayhousing.
- Disconnect the power plug from AC outlet if the product is not being used for a long period of time.

Don't:

- Block the slots and openings on the unit provided for ventilation.
- Use abrasive cleaners, waxes or solvents to clean the unit.
- Use under the following conditions:
 - In extremely hot, cold or humid environments.
 - In areas susceptible to excessive dust and dirt.
 - Near any appliance that generates a strong magnetic field.
 - Place In direct sunlight.

Precautions


Follow all warnings, precautions and maintenance as recommended in this user's guide to maximize the life of your unit.


Warning!

- Do not look into the projector's lens when the light is on. The bright may hurt your eyes.
- To reduce the risk of fire or electric shock, do not expose this product to rain or moisture.
- Please do not open or disassemble the product as this may cause electric shock.
- When switching the projector off, please ensure the projector completes its cooling cycle before disconnecting power.
- Turn on the projector first and then the signal sources.
- Do not use lens cap when projector is in operation.

Cleaning the lens

- Before cleaning the lens, be sure to turn off the projector and unplug the power cord to allow it to completely cool down for at least 30 minutes.
- Use a compressed air tank to remove the dust.
- Use a special cloth for cleaning lens and gently wipe the lens. Do not touch the lens with your fingers.
- Do not use alkaline/acid detergents or volatile solvents such as alcohol for cleaning lens. If the lens is damaged due to the cleaning process, it is not covered by the warranty.

 **Warning!** Do not use a spray containing flammable gases to remove dust or dirt from the lens. This may cause a fire due to excessive heat inside the projector.

 **Warning!** Do not clean the lens if the projector is warming up as this may cause the lens' surface film to peel off.

 **Warning!** Do not wipe or tap the lens with a hard object.

Spec label location

- Spec label location are placed the following locations:

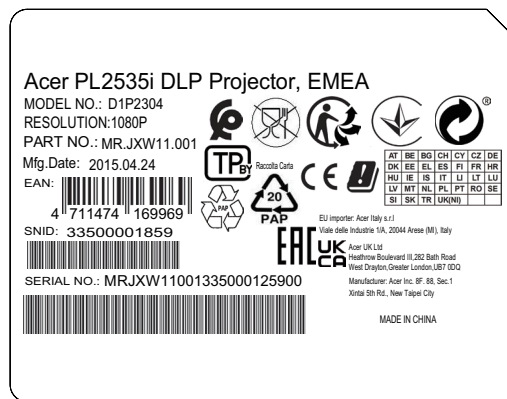
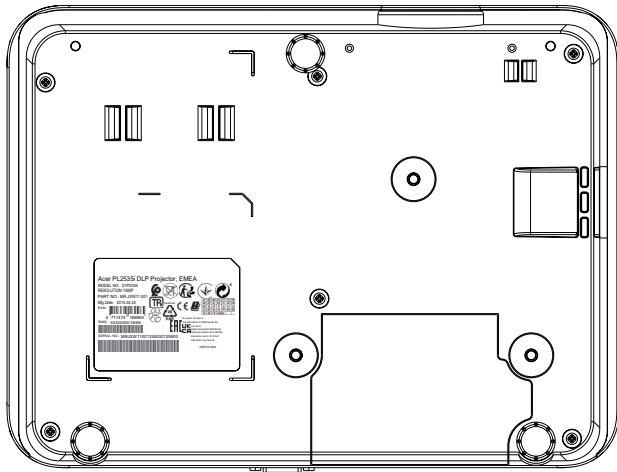


TABLE OF CONTENTS

INTRODUCTION	11
<i>Package Overview.....</i>	<i>11</i>
<i>Standard accessories.....</i>	<i>11</i>
<i>Optional accessories.....</i>	<i>11</i>
<i>Product Overview.....</i>	<i>12</i>
<i>Connections.....</i>	<i>13</i>
<i>Keypad.....</i>	<i>14</i>
<i>Remote control.....</i>	<i>15</i>
SETUP AND INSTALLATION.....	16
<i>Installing the projector.....</i>	<i>16</i>
<i>Connecting sources to the projector.....</i>	<i>19</i>
<i>Adjusting the projector image.....</i>	<i>21</i>
<i>Remote setup.....</i>	<i>22</i>
USING THE PROJECTOR	24
<i>Powering on / off the projector.....</i>	<i>24</i>
<i>Selecting an input source.....</i>	<i>25</i>
<i>Menu navigation and features.....</i>	<i>26</i>
<i>OSD Menu tree.....</i>	<i>27</i>
<i>Display image settings menu.....</i>	<i>31</i>
<i>Display 3D menu.....</i>	<i>33</i>
<i>Display aspect ratio menu.....</i>	<i>33</i>
<i>Display zoom menu.....</i>	<i>37</i>
<i>Display keystone menu.....</i>	<i>37</i>
<i>Audio mute menu.....</i>	<i>38</i>
<i>Audio volume menu.....</i>	<i>38</i>
<i>Setup projection menu.....</i>	<i>39</i>
<i>Setup power settings menu.....</i>	<i>39</i>
<i>Setup security menu.....</i>	<i>39</i>
<i>Setup HDMI Link settings menu.....</i>	<i>40</i>
<i>Setup test pattern menu.....</i>	<i>40</i>
<i>Setup options menu.....</i>	<i>40</i>
<i>Screen capture by PC tool.....</i>	<i>40</i>
<i>Setup reset OSD menu.....</i>	<i>42</i>
<i>Info menu.....</i>	<i>42</i>

ADDITIONAL INFORMATION..... 43

Compatible resolutions 43
Image size and projection distance 46
Projector dimensions and ceiling mount installation..... 50
Troubleshooting 51
Warning indicators..... 52
Specifications 54

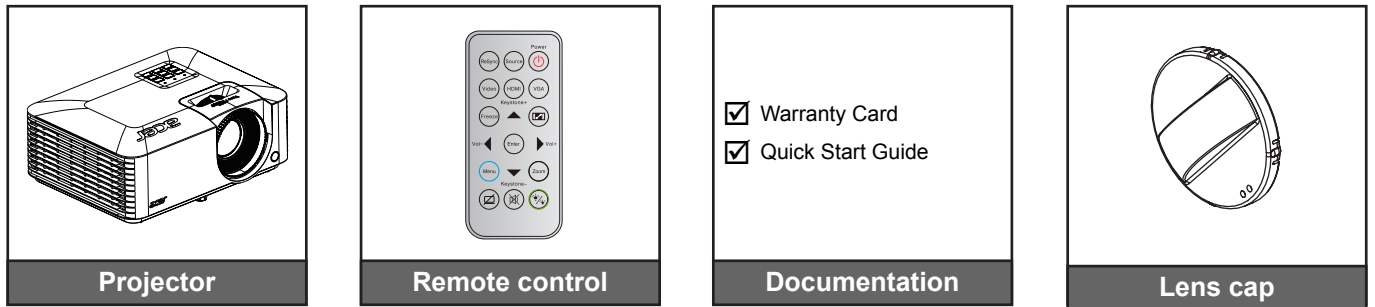
INTRODUCTION

Package Overview

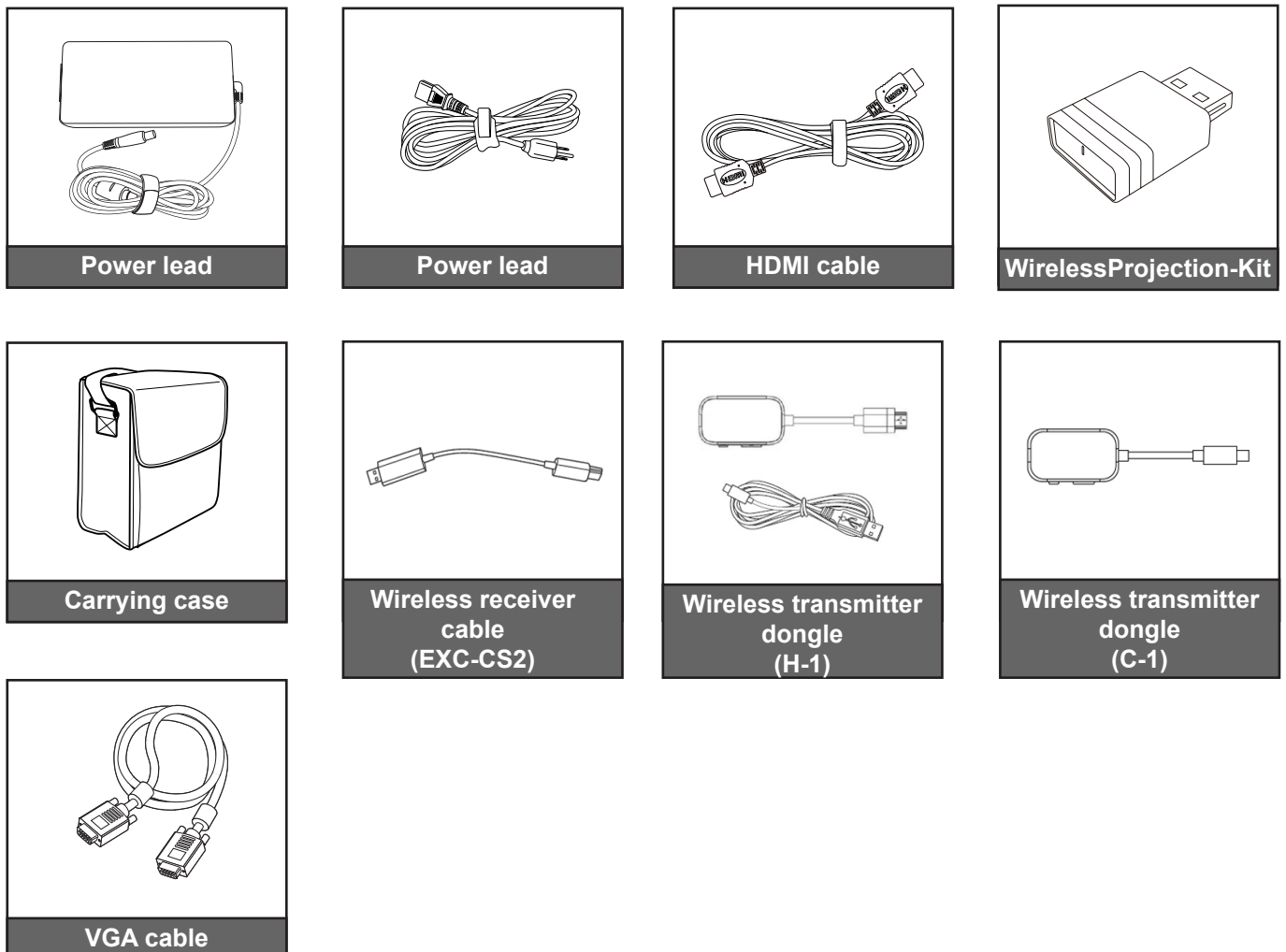
Carefully unpack and verify that you have the items listed below under standard accessories. Some of the items under optional accessories may not be available depending on the model, specification and your region of purchase. Please check with your place of purchase. Some accessories may vary from region to region.

The warranty card is only supplied in some specific regions. Please consult your dealer for detailed information.

Standard accessories



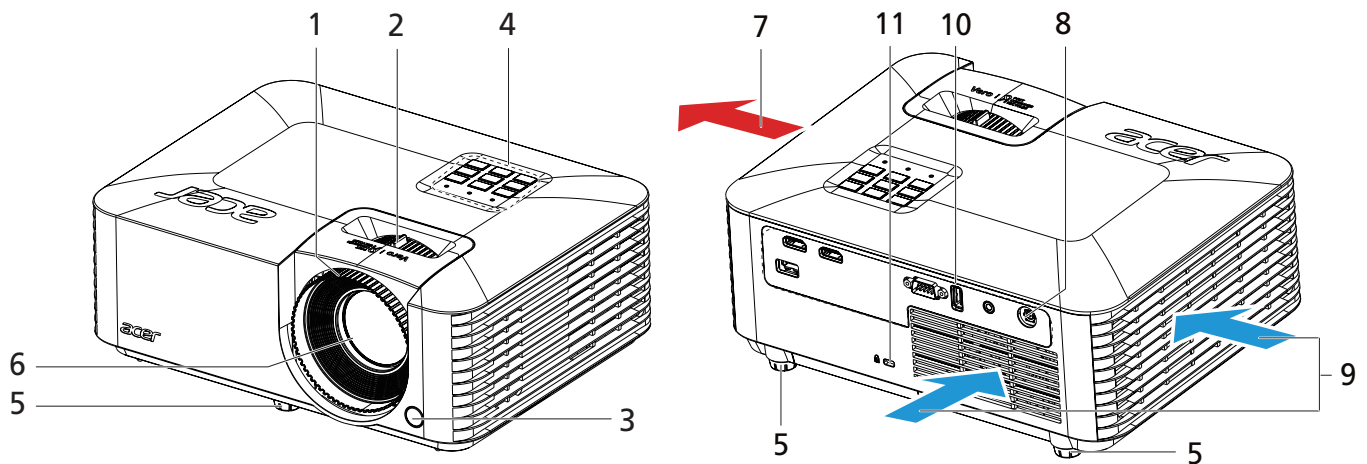
Optional accessories



Note: Optional accessories vary depending on model, specification and region.

INTRODUCTION

Product Overview



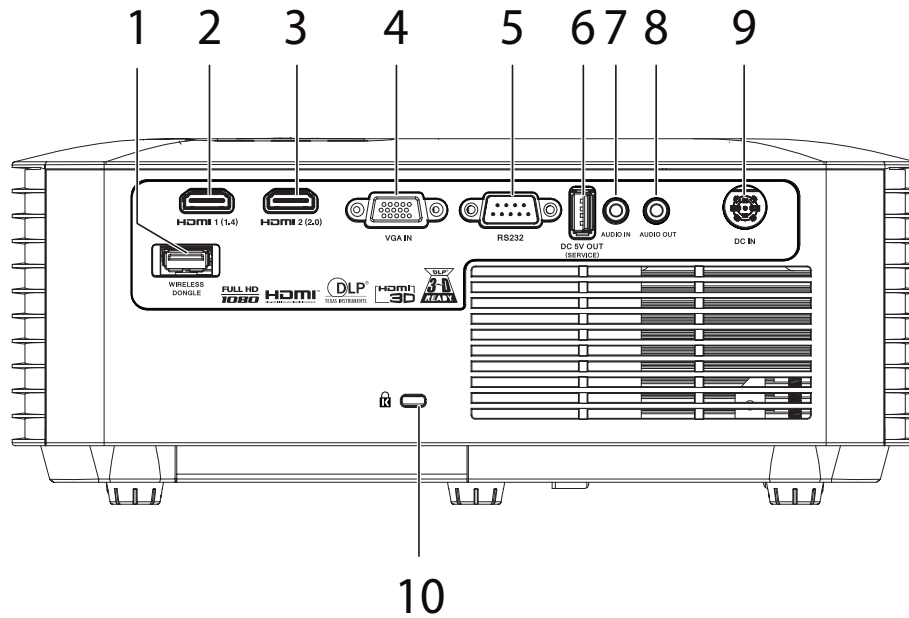
Note:

- Do not block projector intake and exhaust vents.
- When operating the projector in an enclosed space, allow at least 30 cm clearance around the intake and exhaust vents.
- Functions vary depending on model definition.

No.	Item	No.	Item
1.	Focus Ring	7.	Ventilation (outlet)
2.	Zoom Ring	8.	DC IN
3.	IR Receivers	9.	Ventilation (inlet)
4.	Keypad	10.	Input / Output
5.	Tilt-Adjustment Feet	11.	Kensington™ Lock Port
6.	Lens		

INTRODUCTION

Connections



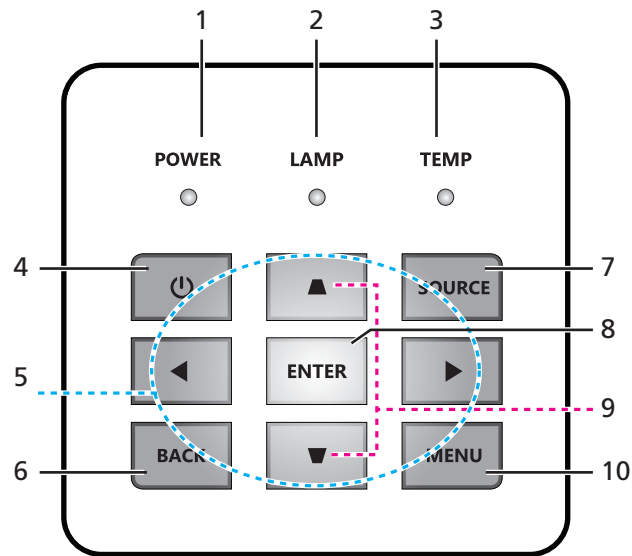
No.	Item	No.	Item
1.	USB connector (for wifi dongle)	6.	DC 5V out(service)
2.	HDMI 1 Connector	7.	Audio in Connector
3.	HDMI 2 Connector	8.	Audio out Connector
4.	VGA in Connector	9.	DC IN
5.	RS232 Connector	10.	Kensington™ lock port

Note:

- Functions vary depending on model definition.
- Smartphone charging is not supported via USB power out connector.
- Wifi dongle no support hot plug.

INTRODUCTION

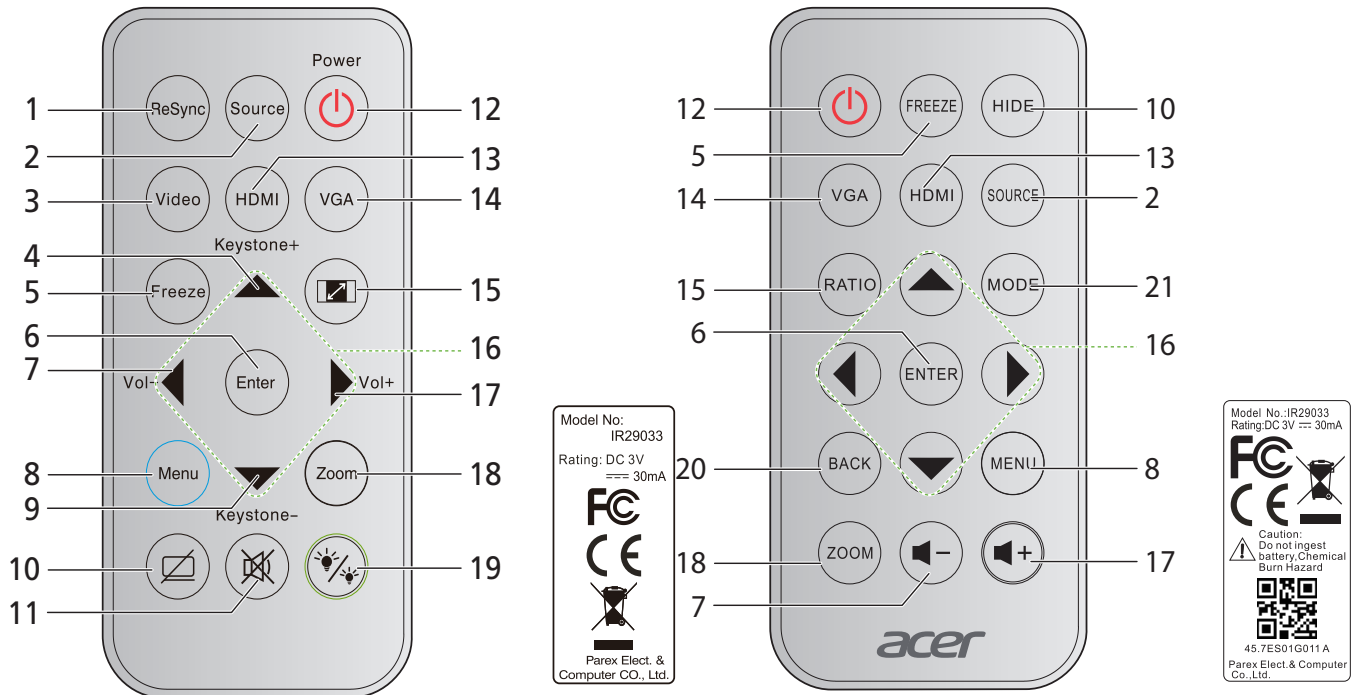
Keypad



No.	Item	No.	Item
1.	Power LED	6.	Back
2.	Lamp LED	7.	Source
3.	Temp LED	8.	Enter
4.	Power	9.	Keystone Correction
5.	Four directional select keys	10.	Menu

INTRODUCTION

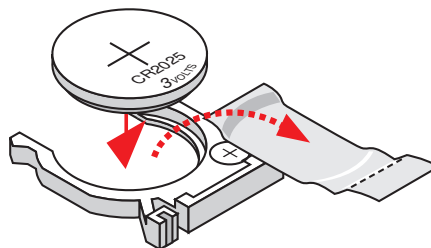
Remote control



No.	Item	No.	Item
1.	ReSync	12.	Power
2.	Source	13.	HDMI
3.	Video	14.	VGA
4.	Keystone +	15.	Aspect
5.	Freeze	16.	Up/Down/Left/Right
6.	Enter	17.	Vol +
7.	Vol -	18.	Zoom
8.	Menu	19.	Brightness Mode
9.	Keystone -	20.	Back
10.	Hide	21.	Mode
11.	Mute		

Note:

- Some keys may have no function for models that do not support these features.
- Before using the remote control for the first time, remove the transparent insulation tape. See page 22 for battery installation.

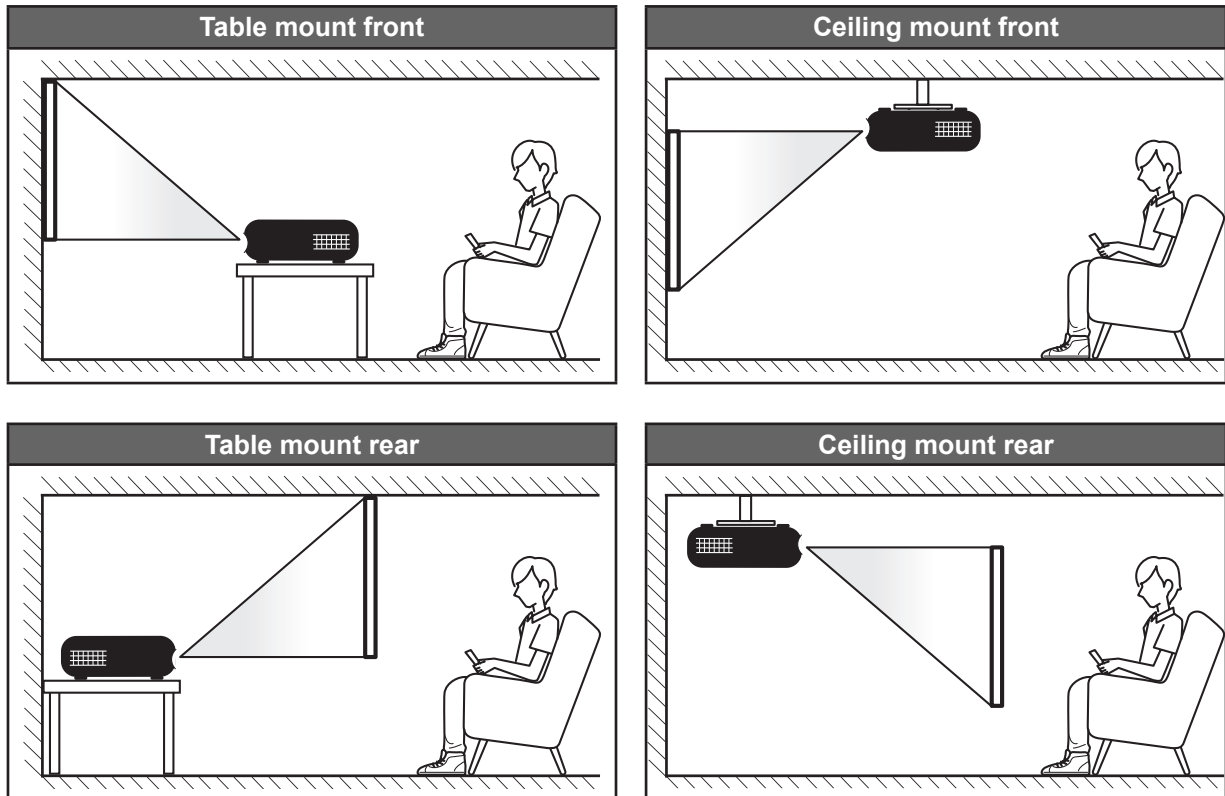


SETUP AND INSTALLATION

Installing the projector

Your projector is designed to be installed in one of four possible positions.

Your room layout or personal preference will dictate which installation location you select. Take into consideration the size and position of your screen, the location of a suitable power outlet, as well as the location and distance between the projector and the rest of your equipment.



Projector should be placed flat on a surface and 90 degrees / perpendicular to the screen.

- How to determine projector location for a given screen size, please refer to distance table on page 46-49.
- How to determine screen size for a given distance, please refer to distance table on pages 46-49.

Note: The further away the projector is placed from the screen the projected image size increases and vertical offset also increases proportionally.

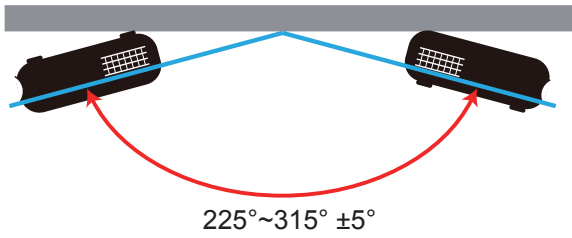
IMPORTANT!

Do not operate the projector in any orientation other than table top or ceiling mount. The projector should be horizontal and not tilted either forwards/backwards or left/right. Any other orientation will invalidate the warranty and may shorten the lifetime of the projector light source or the projector itself. For none standard installation advise, please contact Acer.

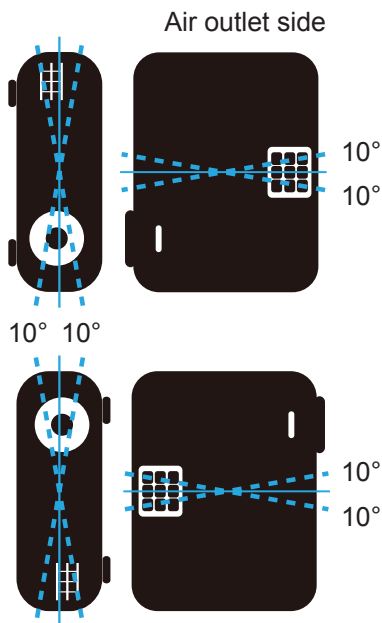
SETUP AND INSTALLATION

Projector installation notice

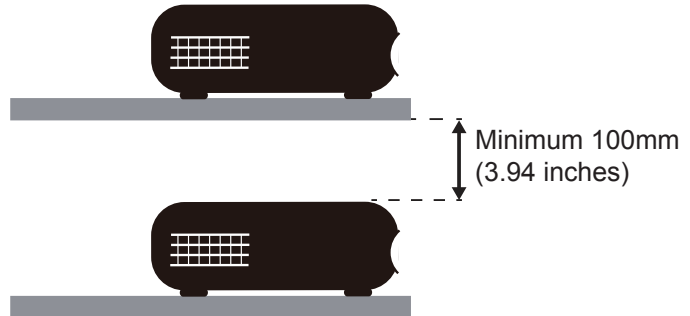
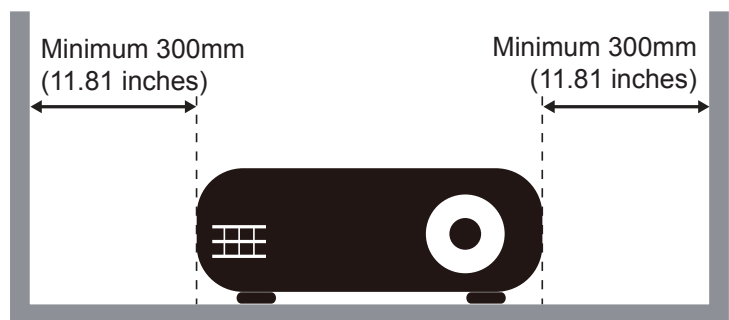
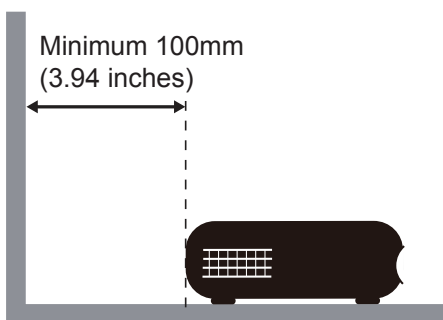
Note: The brightness will be reduced 80% when the projection direction is downward.



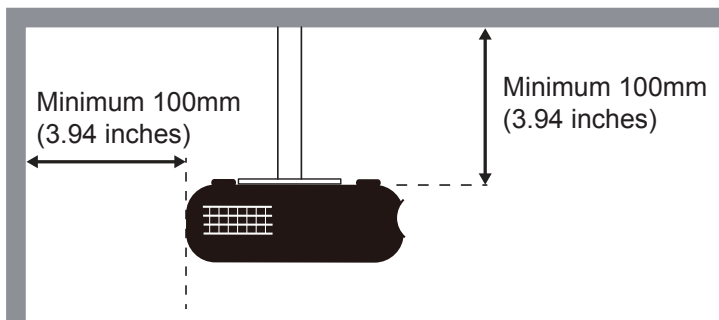
- Portrait mode



- Allow at least 30 cm clearance around the exhaust vent.



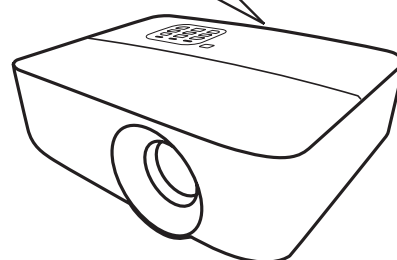
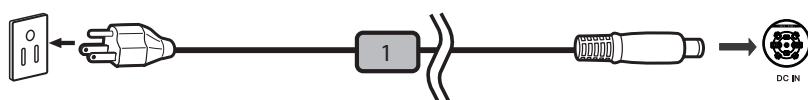
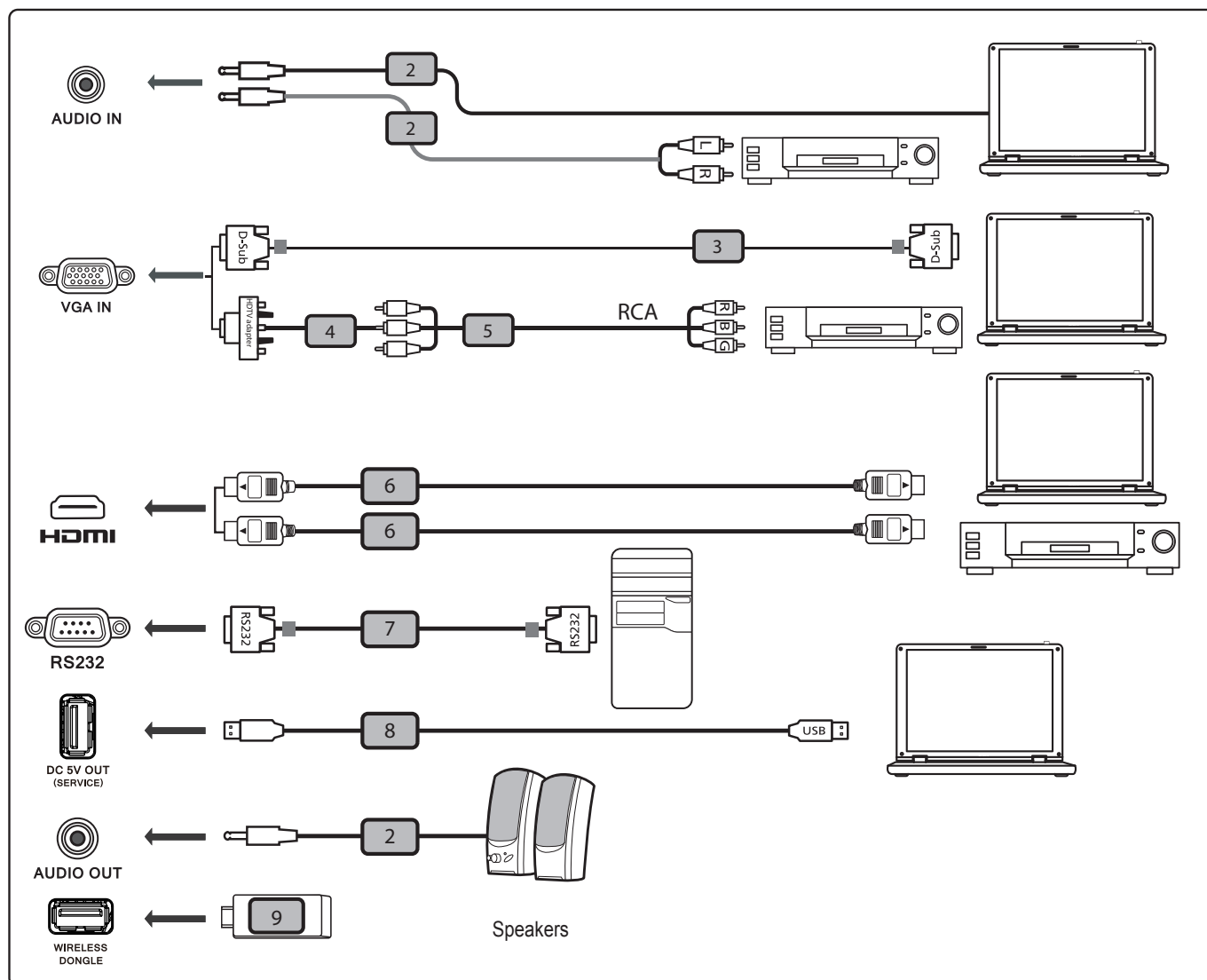
SETUP AND INSTALLATION



- Ensure that the intake vents do not recycle hot air from the exhaust vent.
- When operating the projector in an enclosed space, ensure that the surrounding air temperature within the enclosure does not exceed operation temperature while the projector is running, and the air intake and exhaust vents are unobstructed.
- All enclosures should pass a certified thermal evaluation to ensure that the projector does not recycle exhaust air, as this may cause the device to shutdown even if the enclosure temperature is within the acceptable operation temperature range.

SETUP AND INSTALLATION

Connecting sources to the projector



No.	Item	No.	Item
1.	Power cord	6.	HDMI cable
2.	Audio cable	7.	RS232 cable
3.	VGA cable	8.	USB cable
4.	VGA to component/HDTV adapter	9.	Wireless dongle
5.	3 RCA component cable		

SETUP AND INSTALLATION

Note:

- *To ensure the projector works well with your computer, please make sure the timing of the display mode is compatible with the projector.*
- *Functions vary depending on model definition.*
- *USB cable needs powered extender if the length is over 5 m.*
- *USB DC 5V out connector support 5V power output for HDMI dongle charging.*

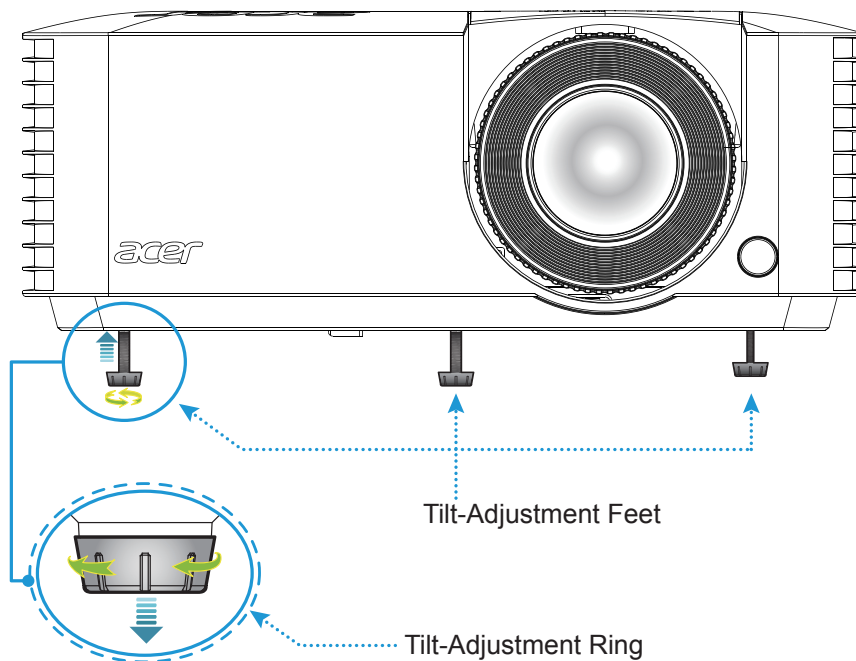
SETUP AND INSTALLATION

Adjusting the projector image

Image height

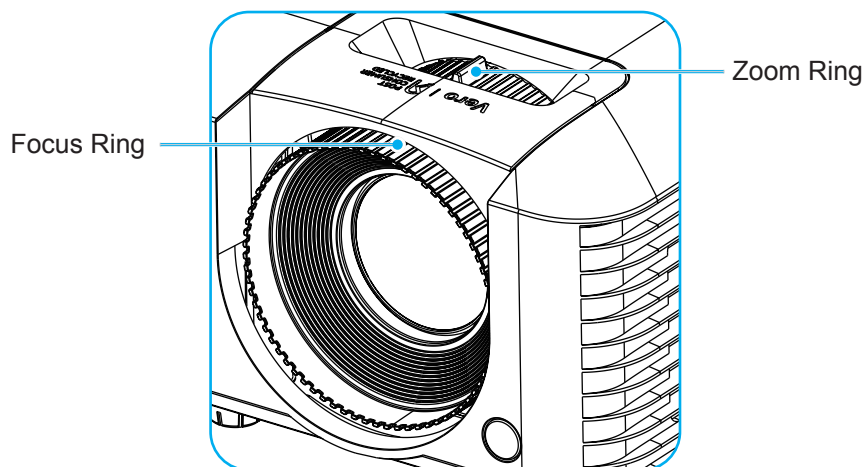
The projector is equipped with elevator feet for adjusting the image height.

1. Locate the adjustable foot you wish to adjust on the underside of the projector.
2. Rotate the adjustable foot clockwise or counterclockwise to raise or lower the projector.



Zoom and focus

- To adjust the image size, turn the zoom ring clockwise or counterclockwise to increase or decrease the projected image size.
- To adjust the focus, turn the focus ring clockwise or counterclockwise until the image is sharp and legible.



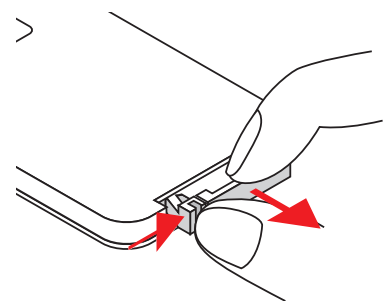
Note: Ensure that the projection screen is within the required distance from the projector. Please refer to "Image size and projection distance" on page 46 for more information.

SETUP AND INSTALLATION

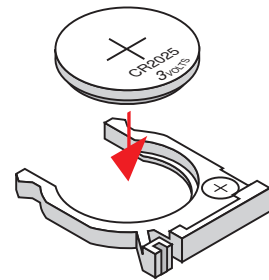
Remote setup

Installing / replacing the batteries

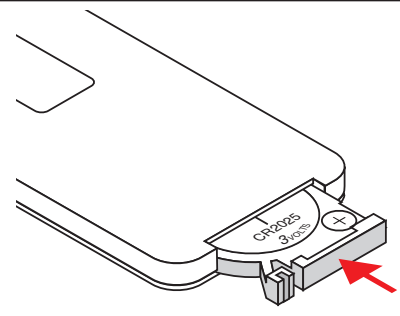
1. Press firmly and slide the battery cover off.



2. Install new battery into the compartment. Remove the old battery and install new one (CR2025). Ensure that the side with a "+" is facing up.



3. Put the cover back.



Note: Replace only with the same or equivalent type batteries.

CAUTION

To ensure safe operation, please observe the following precautions:

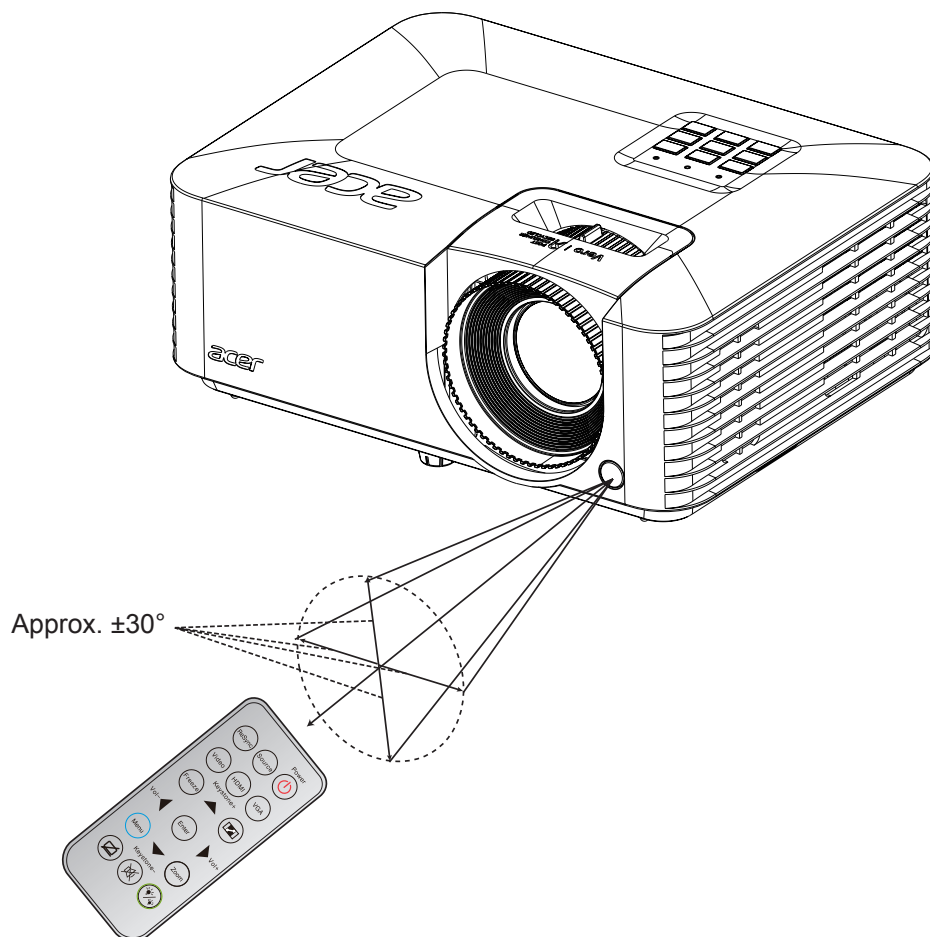
- Use CR2025 type battery.
- Avoid contact with water or liquid.
- Do not expose the remote control to moisture or heat.
- Do not drop the remote control.
- If the battery has leaked in the remote control, carefully wipe the case clean and install new battery.
- Risk of an explosion if battery is replaced by an incorrect type.
- Dispose of used battery according to the instructions.

SETUP AND INSTALLATION

Effective range

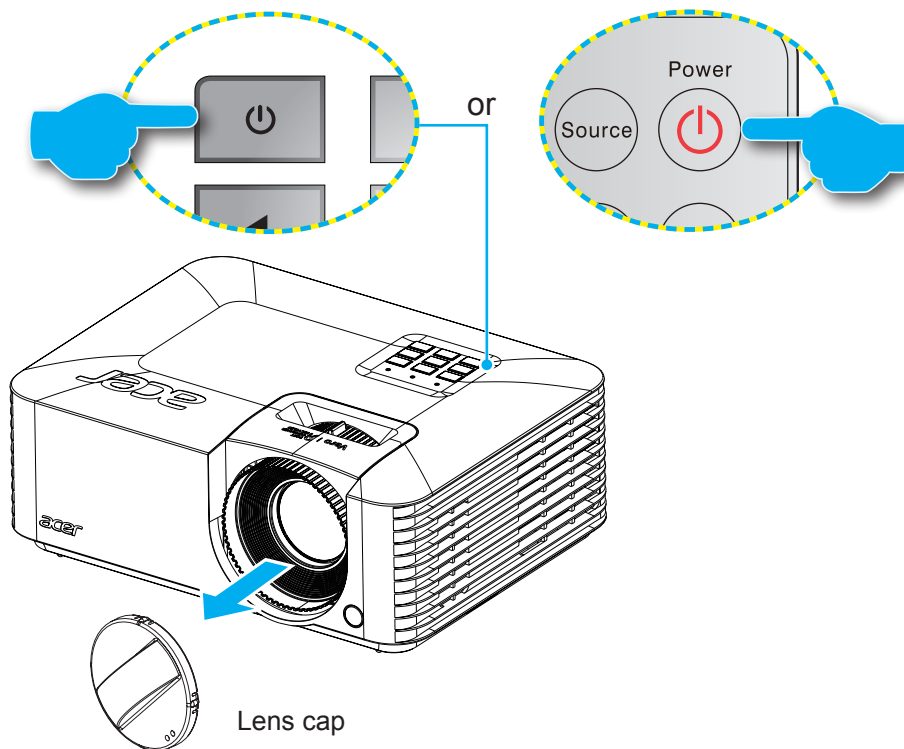
Infra-Red (IR) remote control sensor is located on the front sides of the projector. Ensure to hold the remote control at an angle within 30 degrees perpendicular to the projector's IR remote control sensor to function correctly. The distance between the remote control and the sensor should not be longer than 6 meters (16.4 feet).

- Make sure that there are no obstacles between the remote control and the IR sensor on the projector that might obstruct the infra-red beam.
- Make sure the IR transmitter of the remote control is not being shined by sunlight or fluorescent lamps directly.
- Please keep the remote controller away from fluorescent lamps for over 2 m or the remote controller might become malfunction.
- If the remote control is close to Inverter-Type fluorescent lamps, it might become ineffective from time to time.
- If the remote control and the projector are within a very short distance, the remote control might become ineffective.
- When you aim at the screen, the effective distance is less than 6 m from the remote control to the screen and reflecting the IR beams back to the projector. However, the effective range might change according to screens.




USING THE PROJECTOR

Powering on / off the projector




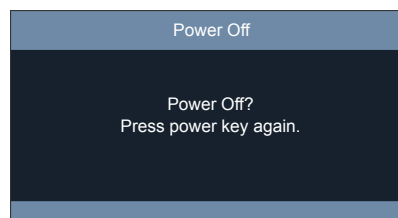
Powering on




1. Remove the lens cap.
2. Securely connect the power lead and signal/source cable. When connected, the Power LED will turn red.
3. Turn on the projector by pressing the  button on the projector keypad or remote control.
4. A start up screen will display in approximately 10 seconds and the Power LED will turn blue or green.

Note: The first time the projector is turned on, you will be prompted to select the preferred language, projection orientation, and other settings.

Powering off

1. Turn off the projector by pressing the  button on the projector keypad or remote control.
2. The following message will be displayed:



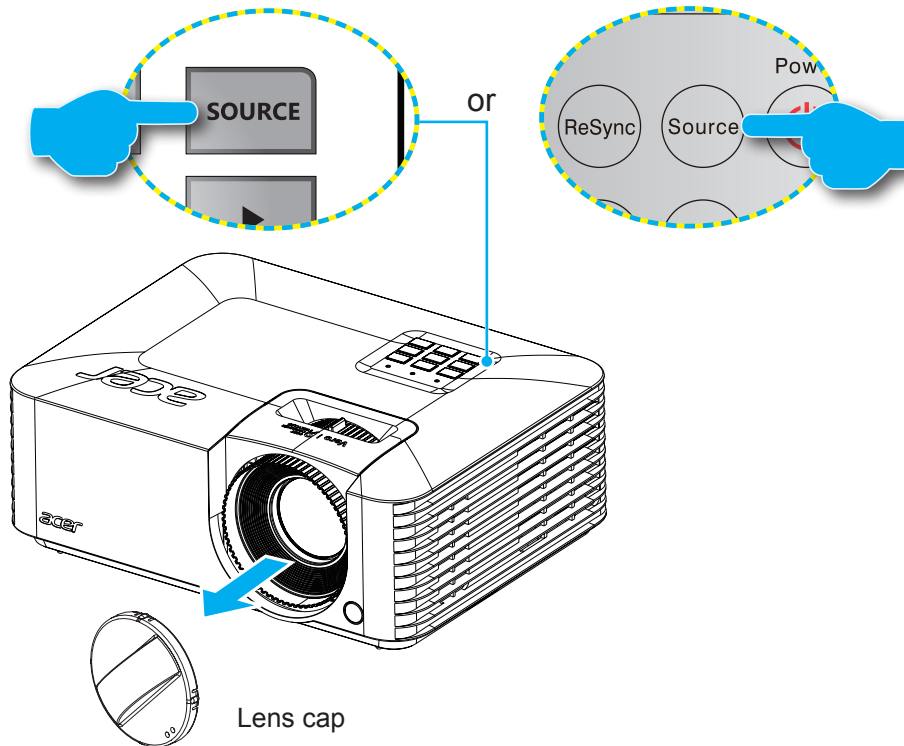
3. Press the  button again to confirm, otherwise the message will disappear after 10 seconds. When you press the  button for the second time, the projector will shut down.
4. When the Power turns solid red, this indicates the projector has entered standby mode. If you wish to turn the projector back on, you must wait until the cooling cycle has finished and the projector has entered standby mode. When the projector is in standby mode, simply press the  button again to turn on the projector.
5. Disconnect the power lead from the electrical outlet and the projector.

Note: It is not recommended that the projector is turned on immediately, right after a power off procedure.

USING THE PROJECTOR

Selecting an input source

Turn on the connected source that you want to display on the screen, such as computer, notebook, video player, etc. The projector will automatically detect the source. If multiple sources are connected, press the **Source** button on the remote control or keypad to select the desired input.

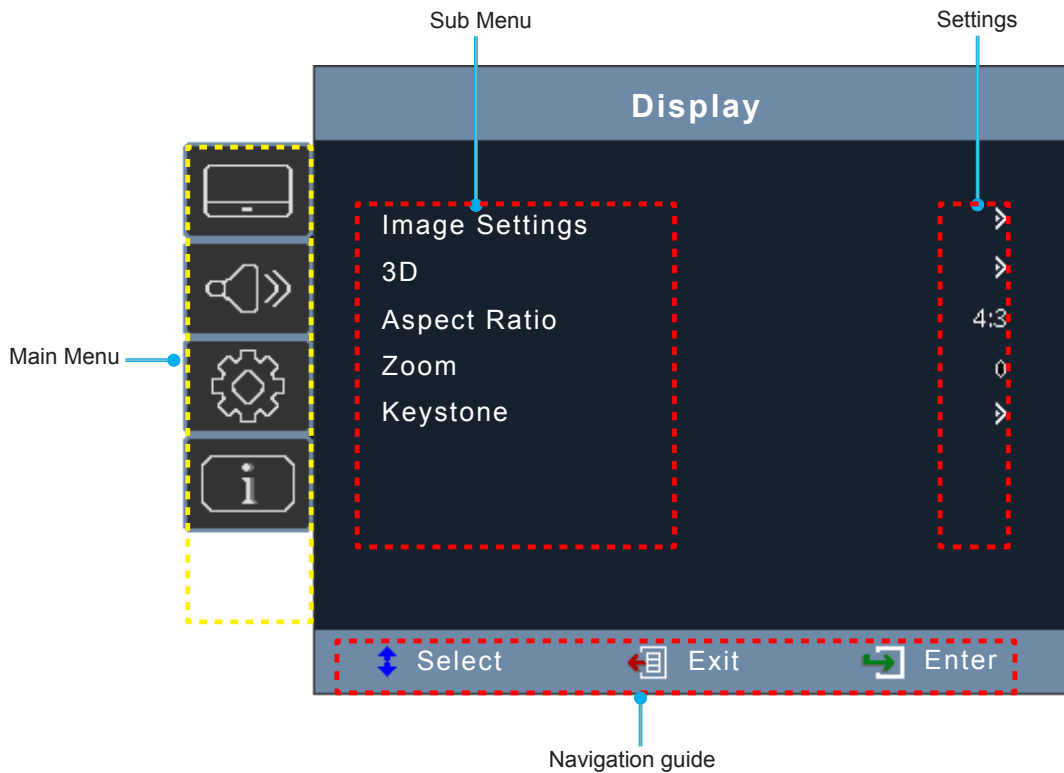


USING THE PROJECTOR

Menu navigation and features

The projector has multilingual on-screen display menus that allow you to make image adjustments and change a variety of settings. The projector will automatically detect the source.

1. To open the OSD menu, press the **Menu** button on the remote control or keypad.
2. When OSD is displayed, use **▲▼** keys to select any item in the main menu. While making a selection on a particular page, press the **Enter** button on the projector keypad or the remote control to enter sub menu.
3. Use **◀▶** keys to select the desired item in the sub menu and then press the **Enter** button to view further settings. Adjust the settings by using **◀▶** keys.
4. Select the next item to be adjusted in the sub menu and adjust as described above.
5. Press press the **Enter** button to confirm, and the screen will return to the main menu.
6. To exit, press the **Menu** button again. The OSD menu will close and the projector will automatically save the new settings.



USING THE PROJECTOR

OSD Menu tree

Main Menu	Sub Menu	Sub Menu 2	Sub Menu 3	Sub Menu 4	Values			
Display	Image Settings	Display Mode			Presentation			
					Bright			
					HDR/HLG SIM.			
					Cinema			
					Football			
					User			
					3D			
		Brightness			-50 ~ 50			
		Contrast			-50 ~ 50			
		Sharpness			1 ~ 15			
		Color			-50 ~ 50			
		Tint			-50 ~ 50			
		Gamma				Film		
						Video		
						Graphics		
						Standard(2.2)		
		Color Settings	BrilliantColor™				1 ~ 10	
				Color Temperature			Warm	
							Standard	
							Cold	
			Color Matching	Color				Red [Default]
								Green
								Blue
								Cyan
								Yellow
								Magenta
								White(*)
							Hue / R(*)	-50 ~ 50
							Saturation / G(*)	-50 ~ 50
							Gain / B(*)	-50 ~ 50
						Reset	Cancel [Default]	
							Yes	
						Exit		
Color Space [Not HDMI Input]					Auto [Default]			
					RGB			
					YUV			
Color Space [HDMI Input]					Auto [Default]			
					RGB(0~255)			
					RGB(16~235)			
					YUV			

USING THE PROJECTOR

Main Menu	Sub Menu	Sub Menu 2	Sub Menu 3	Sub Menu 4	Values	
Display	Image Settings	Brightness Mode			DynamicBlack	
					Eco.	
					Power (Power = 100%~40%)	
		Signal	Automatic			Off
						On [Default]
			Frequency			-10 ~ 10 (depends on signal) [Default: 0]
						0~31 (depends on signal) [Default: 0]
			Phase			-5 ~ 5 (depends on signal) [Default: 0]
			V. Position			-5 ~ 5 (depends on signal) [Default: 0]
		Reset				
	3D	3D Mode			Off [Default]	
					On	
		3D Format			Auto [Default]	
					SBS	
					Top and Bottom	
		3D Sync Invert			Frame Sequential	
				On		
	Aspect Ratio				Off [Default]	
					4:3	
					16:9	
					Full	
					L. Box	
	Zoom				Auto [Default]	
	Low Input Lag				-5 ~ 25 [Default: 0]	
					Off [Default]	
	Keystone	Four Corners			On	
					Off [Default]	
		H Keystone			-30 ~30 [Default: 0]	
		V Keystone			-30 ~30 [Default: 0] or -40 ~40 [Default: 0]	
		Auto Keystone			On	
	Audio	Mute				Off [Default]
						On
Volume					0 ~ 10 [Default: 5]	

USING THE PROJECTOR

Main Menu	Sub Menu	Sub Menu 2	Sub Menu 3	Sub Menu 4	Values		
Setup	Projection				Front  [Default]		
					Rear 		
	Projection Location					Auto	
						Desktop	
						Ceiling	
	Power Settings	Auto Power On	AC Power On			Off [Default]	
						On	
			HDMI Power On			Off [Default]	
					On		
		VGA Power On			Off [Default]		
					On		
		Auto Shutdown (min.)				0 ~ 180 (5 min increments) [Default: 15]	
	Security	Security				Off [Default]	
						On	
		Security Timer	Month				0 ~ 12
			Day				0 ~ 30
			Hour				0 ~ 24
	Change Password					[Default: 1234]	
	HDMI CEC	HDMI CEC				Off [Default]	
						On	
		RC Pass Through					Off [Default]
							On
	Test Pattern					Green Grid	
						Magenta Grid	
						White Grid	
						White	
						Off [Default]	
	Options	Language				English [Default]	
						Deutsch	
						Français	
						Italiano	
						Español	
					Português		
					Polski		
					Nederlands		
					Svenska		
					Norsk/Dansk		
					Suomi		
					繁體中文		
			简体中文				
			日本語				

USING THE PROJECTOR

Main Menu	Sub Menu	Sub Menu 2	Sub Menu 3	Sub Menu 4	Values
Setup	Options	Language			한국어
					Русский
					Magyar
					Čeština
					عربي
					ไทย
					Türkçe
					Tiếng Việt
					Bahasa Indonesia
					Українська
		Auto Source			Off [Default] On
		High Altitude			Off [Default] On
		Logo			Default [Default] User
		Acer Swift Cast Pairing			Off [Default] On
		Reset	Reset to Default		
Info	Serial Number				
	Source				
	Resolution				
	Refresh Rate				
	Display Mode				
	Light Source Hours				
	Brightness Mode				
	Firmware Version	System			
	MCU				

Note:

- *Functions vary depending on model definition.*
- *Adjusting power-related functions may increase energy consumption.*

USING THE PROJECTOR

Display menu

Display image settings menu

Note: Functions vary depending on model definition.

Display Mode

There are many factory presets optimized for various types of images.

- **Presentation:** This mode is suitable for showing in front of public in connection to the PC.
- **Bright:** Maximum brightness from PC input.
- **HDR/HLG SIM.:** Decodes and displays High Dynamic Range (HDR) and Hybrid Log Gamma(HLG) content for the deepest blacks, brightest whites, and vivid cinematic color.
- **Cinema:** Provides the best colors for watching movies.
- **Football:** For football performance
- **User:** Memorize user's settings.
- **3D:** To experience the 3D effect, you need to have 3D glasses, make sure your PC/portable device has a 120 Hz signal output quad buffered graphics card and have a 3D Player installed.

Brightness

Adjust the brightness of the image.

Contrast

The contrast controls the degree of difference between the lightest and darkest parts of the picture.

Sharpness

Adjust the sharpness of the image.

Color

Adjust a video image from black and white to fully saturated color.

Note: This menu option is only available if the input source is other than RGB.

Tint

Adjust the color balance of red and green.

Note: This menu option is only available if the input source is other than RGB.

Gamma

Set up gamma curve type. After the initial setup and fine tuning is completed, utilize the Gamma Adjustment steps to optimize your image output.

- **Film:** For home theater.
- **Video:** For video or TV source.
- **Graphics:** For PC / Photo source.
- **Standard(2.2):** For standardized setting.

Note:

- These options are only available if the 3D mode function is disabled, the **Wall Color** setting is not set to **Blackboard**, and the **Display Mode** setting is not set to **DICOM SIM.**, **HDR SIM.** or **HLG SIM.**
- In 3D mode, user can only select **3D** for **Gamma** setting.
- If the **Wall Color** setting is set to **Blackboard**, user can only select **Blackboard** for **Gamma** setting.

USING THE PROJECTOR

- If the **Display Mode** setting is set to **DICOM SIM.**, user can only select **DICOM SIM.** for **Gamma** setting.
- If the **Display Mode** setting is set to **HDR SIM.** or **HLG SIM.**, user can only select **HDR SIM.** or **HLG SIM.** for **Gamma** setting.

Color Settings

Configure the color settings.

- **BrilliantColor™**: This adjustable item utilizes a new color-processing algorithm and enhancements to enable higher brightness while providing true, more vibrant colors in picture.
- **Color Temperature**: Select a color temperature from Warm, Standard, or Cold.
- **Color Matching**: Select the following options:
 - Color: Adjust the red, green, black, cyan, yellow, magenta, and white level of the image.
 - Hue / R(red)*: Adjust the color balance of red and green.
Note: *If the **Color** setting is set to **White**, you can adjust the red color setting.
 - Saturation / G(green)*: Adjust a video image from black and white to fully saturated color.
Note: *If the **Color** setting is set to **White**, you can adjust the green color setting.
 - Gain / B(blue)*: Adjust the image brightness.
Note: *If the **Color** setting is set to **White**, you can adjust the blue color setting.
 - Reset: Return the factory default settings for color matching.
 - Exit: Exit the “Color Matching” menu.
- **Color Space (non-HDMI input only)**: Select an appropriate color matrix type from the following: Auto, RGB, or YUV.
- **Color Space (HDMI input only)**: select an appropriate color matrix type from the following: Auto, RGB(0-255), RGB(16-235), and YUV.

Signal

Adjust the signal options.

- **Automatic**: Configure automatically the signal (the frequency and phase items are grayed out). If automatic is disabled, the frequency and phase items will appear for tuning and saving the settings.
- **Frequency**: Change the display data frequency to match the frequency of your computer’s graphic card. Use this function only if the image appears to flicker vertically.
- **Phase**: Synchronize the signal timing of the display with the graphic card. If the image appears to be unstable or flickers, use this function to correct it.
- **H. Position**: Adjust the horizontal positioning of the image.
- **V. Position**: Adjust the vertical positioning of the image.

Note: This menu is only available if the input source is RGB/Component.

Brightness Mode

Adjust the brightness mode settings.

- **DynamicBlack**: Use to automatically adjust the picture brightness in order to give optimum contrast performance.
- **Eco.**: Choose “Eco.” to dim the projector light source which will lower power consumption and extend the light source life.
- **Power**: Choose the power percentage for brightness mode.

Reset

Return the factory default settings for color settings.

USING THE PROJECTOR

Display 3D menu

Note:

- This projector is a 3D ready projector with DLP-Link 3D solution.
- Please make sure your 3D glasses are use for DLP-Link 3D before enjoy your video.
- This projector supports frame sequential (page-flip) 3D via HDMI/VGA ports.
- To enable 3D mode, the input frame rate should be set to 60Hz only, lower or higher frame rate is not supported.
- To reach the best performance, resolution 1920x1080 is recommended, please be noted that 4K (3840x2160) resolution is not supported in 3D mode.

3D Mode

Use this option to disable the 3D function or select the appropriate the 3D function.

- **Off:** Select “Off” to turn off 3D mode.
- **On:** Select “On” to turn on 3D mode.

Note: If the 2D and 3D sources enter projector at the same time, if the ghosting image appears in the 2D source, make sure to manually turn off the 3D function.

3D Format

Use this option to select the appropriate 3D format content.

- **Auto:** When a 3D identification signal is detected, the 3D format is selected automatically.
- **SBS:** Display 3D signal in “Side-by-Side” format.
- **Top and Bottom:** Display 3D signal in “Top and Bottom” format.
- **Frame Sequential:** Display 3D signal in “Frame Sequential” format.

3D Sync Invert

Use this option to enable/disable the 3D sync invert function.

Display aspect ratio menu

Aspect Ratio

Select the aspect ratio of the displayed image between the following options:

- **4:3:** This format is for 4:3 input sources.
- **16:9:** This format is for 16:9 input sources, like HDTV and DVD enhanced for Wide screen TV.
- **LBX:** This format is for non-16x9, letterbox source and if you use external 16x9 lens to display 2.35:1 aspect ratio in full resolution.

Note:

- *Detailed informations about LBX mode:*
 - Some Letter-Box Format DVDs are not enhanced for 16x9 TVs. In this situation, the image will not look right when displaying image in 16:9 mode. In this situation, please try to use the 4:3 mode to view the DVD. If the content is not 4:3, there will be black bars around the image in 16:9 display. For this type of content, you can use LBX mode to fill the image on the 16:9 display.
 - If you use an external anamorphic lens, this LBX mode also allows you to watch a 2.35:1 content (include Anamorphic DVD and HDTV film source) that supports anamorphic wide is enhanced for 16x9 Display in a wide 2.35:1 image. In this case, there are no black bars. Light source power and vertical resolution are fully utilized.

USING THE PROJECTOR

XGA scaling table:

16:9 screen	480i/p	576i/p	1080i/p	720p	PC
4x3	Scale to 1024x768.				
16x9	Scale to 1024x576.				
Native	No scaling will be made; the image is displayed with the resolution based on input source.				
Auto	<ul style="list-style-type: none"> - If source is 4:3, the screen type will be scaled to 1024 x 768. - If source is 16:9, the screen type will be scaled to 1024 x 576. - If source is 15:9, the screen type will be scaled to 1024 x 614. - If source is 16:10, the screen type will be scaled to 1024 x 640. 				

XGA auto mapping rule:

Auto	Input resolution		Auto/Scale	
	H-resolution	V-resolution	1024	768
4:3	640	480	1024	768
	800	600	1024	768
	1024	768	1024	768
	1600	1200	1024	768
Wide Laptop	1280	720	1024	576
	1280	768	1024	614
	1280	800	1024	640
SDTV	720	576	1024	576
	720	480	1024	576
HDTV	1280	720	1024	576
	1920	1080	1024	576

USING THE PROJECTOR

WXGA scaling table (screen type 16x10):

Note:

- Supported screen type 16:9 (1280x720), 16:10 (1280x800).
- When screen type is 16:9, the 16x10 format becomes unavailable.
- When screen type is 16:10, the 16x9 format becomes unavailable.
- If you select auto option then the display mode will be also automatically changed.

16 : 10 screen	480i/p	576i/p	1080i/p	720p	PC
4x3	Scale to 1066x800.				
16x10	Scale to 1280x800.				
LBX	Scale to 1280x960, then get the central 1280x800 image to display.				
Native mode	1:1 mapping centered.		1:1 mapping display 1280x800.	1280x720 centered.	1:1 mapping centered.
Auto	-Input source will be fit into 1280x800 display area and be kept its original aspect ratio. -If source is 4:3, the screen type will be scaled to 1066x800. -If source is 16:9, the screen type will be scaled to 1280x720. -If source is 15:9, the screen type will be scaled to 1280x768. -If source is 16:10, the screen type will be scaled to 1280x800.				

WXGA auto mapping rule (screen type 16x10):

Auto	Input resolution		Auto/Scale	
	H-resolution	V-resolution	1280	800
4:3	640	480	1066	800
	800	600	1066	800
	1024	768	1066	800
	1280	1024	1066	800
	1400	1050	1066	800
	1600	1200	1066	800
Wide Laptop	1280	720	1280	720
	1280	768	1280	768
	1280	800	1280	800
SDTV	720	576	1280	720
	720	480	1280	720
HDTV	1280	720	1280	720
	1920	1080	1280	720

USING THE PROJECTOR

WXGA scaling table (screen type 16x9):

16 : 9 screen	480i/p	576i/p	1080i/p	720p	PC
4x3	Scale to 960x720.				
16x9,Full	Scale to 1280x720.				
LBX	Scale to 1280x960, then get the central 1280x720 image to display.				
Native mode	1:1 mapping centered.		1:1 mapping display 1280x720.	1280x720 centered.	1:1 mapping centred.
Auto	-If this format is select, screen type will automatically become 16:9 (1280x720). -If source is 4:3, the screen type will be scaled to 960x720. -If source is 16:9, the screen type will be scaled to 1280x720. -If source is 15:9, the screen type will be scaled to 1200x720. -If source is 16:10, the screen type will be scaled to 1152x720.				

WXGA auto mapping rule (screen type 16x9):

Auto	Input resolution		Auto/Scale	
	H-resolution	V-resolution	1280	720
4:3	640	480	960	720
	800	600	960	720
	1024	768	960	720
	1280	1024	960	720
	1400	1050	960	720
	1600	1200	960	720
Wide Laptop	1280	720	1280	720
	1280	768	1200	720
	1280	800	1152	720
SDTV	720	576	1280	720
	720	480	1280	720
HDTV	1280	720	1280	720
	1920	1080	1280	720

1080p scaling table:

16:9 screen	480i/p	576i/p	1080i/p	720p	PC
4x3	Scale to 1440x1080.				
16x9	Scale to 1920x1080.				
LBX	Scale to 1920x1440, then get the central 1920x1080 image to display.				
Native mode	- 1:1 mapping centered. - No scaling will be made; the image is displayed with the resolution based on input source.				
Auto	- If auto format is selected, the screen type will automatically become 16:9 (1920x1080). - If source is 4:3, the screen type will be scaled to 1440 x1080. - If source is 16:9, the screen type will be scaled to 1920x1080. - If source is 16:10, the screen type will be scaled to 1920x1200 and cut 1920x1080 area to display.				

1080p auto mapping rule:

USING THE PROJECTOR

Auto	Input resolution		Auto/Scale	
	H-resolution	V-resolution	1920	1080
4:3	640	480	1440	1080
	800	600	1440	1080
	1024	768	1440	1080
	1280	1024	1440	1080
	1400	1050	1440	1080
	1600	1200	1440	1080
Wide Laptop	1280	720	1920	1080
	1280	768	1800	1080
	1280	800	1728	1080
SDTV	720	576	1350	1080
	720	480	1620	1080
HDTV	1280	720	1920	1080
	1920	1080	1920	1080

Display zoom menu

Zoom

Use to reduce or magnify an image on the projection screen.

Low Input Lag

Use this function to make the projected screen smoothly without any lag. Only support 1920 * 1080 60/120Hz.

Display keystone menu

V Keystone

Adjust image distortion vertically and make a squarer image. Vertical keystone is used to correct a keystone image shape in which the top and bottom are slanted to one of the sides. This is intended when for use with vertically on-axis applications.

Auto Keystone

Correct keystone digitally to fit the projected image on the area on which you are projecting.

Note: The image size will reduce slightly when adjusting the horizontal and vertical keystone.

USING THE PROJECTOR

Audio menu

Note: *Functions vary depending on model definition.*

Audio mute menu

Mute

Use this option to temporarily turn off the sound.

- **On:** Choose “On” to turn mute on.
- **Off:** Choose “Off” to turn mute off.

Note: *Mute function affects both internal and external speaker volume.*

Audio volume menu

Volume

Adjust the volume level.

USING THE PROJECTOR

Setup menu

Note: Functions vary depending on model definition.

Setup projection menu

Projection

Select the preferred projection between front and rear.

Projection Location

Select the projection location between auto,desktop and ceiling.

Setup power settings menu

AC Power On

Choose “On” to activate Direct Power mode. The projector will automatically power on when AC power is supplied, without pressing the “Power” key on the projector keypad or on the remote control.

HDMI Power On

Choose “On” to activate HDMI Power mode. The projector will automatically power on when a signal is detected, without pressing the “Power” key on the projector Keypad or on the remote control.

Note: Only supported on HDMI 1 and HDMI 2.

VGA Power On

Choose “On” to activate VGA Power mode. The projector will automatically power on when a signal is detected, without pressing the “Power” key on the projector Keypad or on the remote control.

Auto Shutdown (min.)

Sets the countdown timer interval. The countdown timer will start, when there is no signal being sent to the projector. The projector will automatically power off when the countdown has finished (in minutes).

Setup security menu

Security

Enable this function to prompt for a password before using the projector.

- **On:** Choose “On” to use security verification when the turning on the projector.
- **Off:** Choose “Off” to be able to switch on the projector without password verification.

Security Timer

Can be select the time (Month/Day/Hour) function to set the number of hours the projector can be used. Once this time has elapsed you will be requested to enter your password again.

Change Password

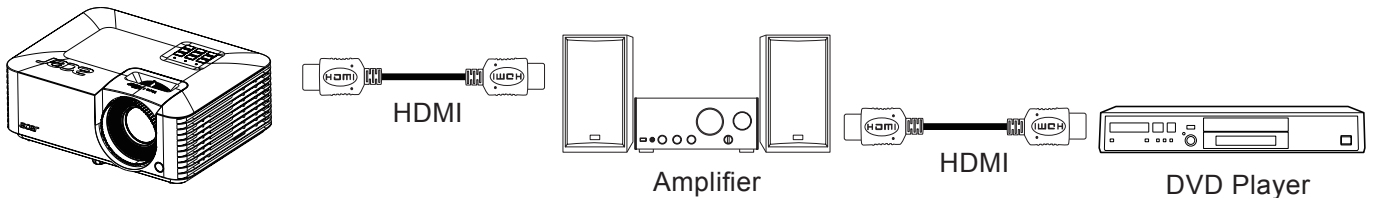
Use to set or modify the password that is prompted when turning the projector on.

Note: Password default value is “1234” (first time).

USING THE PROJECTOR

Setup HDMI Link settings menu

Note: When you connect HDMI CEC-compatible devices to the projector with HDMI cables, you can control them on the same power on or power off status using the HDMI Link control feature in the projector's OSD. This lets one device or multiple devices in a group power on or power off via HDMI Link Feature in a typical configuration, your DVD player may be connected to the projector through an amplifier or home theater system.



HDMI CEC

Default is Off. Select "On" to enable HDMI CEC function.

RC Pass Through

Default is Off. Select "On" to enable RC pass through function.

Setup test pattern menu

Test Pattern

Select the test pattern from green grid, magenta grid, white grid, white or disable this function (off).

Setup options menu

Language

Select the multilingual OSD menu.

Auto Source

Choose this option to let the projector automatically find an available input source.

High Altitude

When "On" is selected, the fans will spin faster. This feature is useful in high altitude areas where the air is thin.

Logo

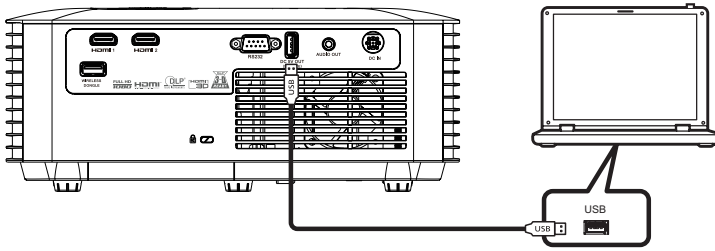
Use this function to set the desired startup screen. If changes are made, they will take effect the next time the projector is powered on.

- **Default:** The default startup screen.
- **User:** Use the stored picture as the startup screen.

Screen capture by PC tool

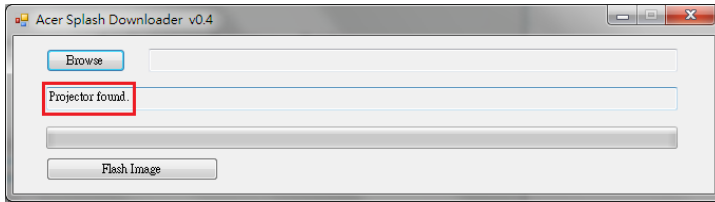
1. **Set "Logo" to "User"**
Set the "Logo" to "User" in **Setup options menu**.
2. **Enter download mode**
Hold both "Power" and "Menu" buttons and then plug in power cord. Release the buttons until Power/Lamp/Temp LED indicators are lighting red.
3. **Connect USB cable between PC and projector**
Please find the "SERVICE" USB port and plug-in USB cable.

USING THE PROJECTOR



4. Copy and Click Splash Downloader

Copy the Acer_Splash_Downloader folder from the CD (User's Guide) to your computer, click the Acer_Splash_Downloader.exe program, and follow the on-screen instructions. If the message says "Projector found", the projector has been connected successfully.



Note: If "Error: No Projector found.", the projector is not connected. Please retry step 2 and step 3.

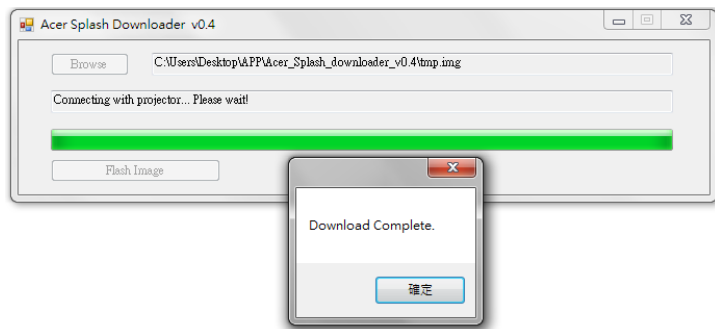
5. Select logo file

Click the "Browse" button and select logo file. The recommended resolution of logo should not exceed the default logo resolution (For example, logo resolution is 1920x1200). The purpose is that keeping the quality of the image. If not, the logo may be blurred.

Note: Support ".bmp/.jpg/.png/.gif/.tiff" file format.

6. Download logo to projector

Click the "Flash Image" button. If the file was written to projector successfully, the message "Download Complete" will be displayed on the screen.



7. Reboot projector

Plug-out the power cord of projector and plug-in it. Please ensure that the logo has been upgraded correctly.

8. Operating system compatibility

Operating system platform	compatible
Windows XP	Not support
Windows 7 (64 bit)	Support
Windows 10 (64 bit)	Support
Mac OS	Not support
Windows 11	Support

USING THE PROJECTOR

Setup reset OSD menu

Reset to Default

Return the factory default settings for all settings except network setting.

Info menu

Note: *Functions vary depending on model definition.*

Info menu

View the projector information as listed below:

- Serial Number
- Source
- Resolution
- Refresh Rate
- Display Mode
- Light Source Hours
- Brightness Mode
- Firmware Version

ADDITIONAL INFORMATION

Compatible resolutions

Digital compatibility

Signal	Resolution	Refresh Rate(Hz)	Notes for Mac
VGA	640 x 480	60/120 ^{(*)2}	Mac 60/72/85/
SVGA	800 x 600	60 ^{(*)2} /72/85/120 ^{(*)2}	Mac 60/72/85
XGA	1024 x 768	50/60 ^{(*)2} /70/75/85/120 ^{(*)2}	Mac 60/70/75/85
SDTV(480I)	720 x 480	60	
SDTV(480P)	720 x 480	60	
SDTV(576I)	720 x 576	50	
SDTV(576P)	720 x 576	50	
WSVGA(1024X600)	1024 x 600	60	
HDTV(720p)	1280 x 720	50 ^{(*)2} /60 ^{(*)2}	Mac 60
WXGA	1280 x 768	60/75/85	Mac 75
WXGA	1280 x 800	60/120 ^{(*)2}	Mac 60
WXGA	1366 x 768	60	
WXGA+	1440 x 900	60	
SXGA	1280 x 1024	60/75/85	Mac 60/75
SXGA+	1400 x 1050	60	
UXGA	1600 x 1200	60	
HDTV(1080I)	1920 x 1080	50/60	
HDTV(1080p)	1920 x 1080	24/30/50/60	Mac 60
WUXGA	1920 x 1200 ^{(*)1}	60	Mac 60
UHD(2160p)	3840 x 2160	24/25/30/50/60	
4K2K(2160p)	4096 x 2160	24/25/30/50/60	

Note:

- Functions vary depending on model definition. 4K 60Hz may not support due to model definition.
- ^{(*)1} 1920 x 1200 @60Hz only support RB (reduced blanking).
- ^{(*)2} 3D timing for True 3D projector (option).

ADDITIONAL INFORMATION

Analog compatibility

Signal	Resolution	Refresh Rate(Hz)	Notes for Mac
VGA	640 x 480	60/67/72/85/120 ^(*)	Mac 60/72/85/
SVGA	800 x 600	56/60 ^(*) /72/85/120 ^(*)	Mac 60/72/85
XGA	1024 x 768	60 ^(*) /70/75/85/120 ^(*)	Mac 60/70/75/85
HDTV(720P)	1280 x 720	50/60 ^(*)	Mac 60
WXGA	1280 x 768	60/75/85	Mac 60/75/85
	1280 x 800	60/120 ^(*)	Mac 60
	1366 x 768	60	
SXGA	1280 x 1024	60/75/85	Mac 60/75
SXGA+	1400 x 1050	60	
UXGA	1600 x 1200	60	
HDTV(1080p)	1920 x 1080	24/50/60	Mac 60
WUXGA	1920 x 1200 ^(*)	60	Mac 60
	720 x 400	70	
	832 x 624	75	Mac 75
	1152 x 870	75	Mac 75

Note:

- Functions vary depending on model definition.
- (*1) 1920 x 1200 @60Hz only support RB (reduced blanking).
- (*2) 3D timing for True 3D projector (Option).

Video compatibility

Supported video formats:

Video Formats	
SDTV	480i/p, 576i/p
HDTV	720p(50/60Hz), 1080i(50/60Hz), 1080P(50/60Hz)

Signal	Resolution	Refresh Rate(Hz)	Notes
SDTV(480I)	720 x 480	60	
SDTV(480P)	720 x 480	60	
SDTV(576I)	720 x 576	50	
SDTV(576P)	720 x 576	50	
HDTV(720p)	1280 x 720	50/60	
HDTV(1080I)	1920 x 1080	50/60	
HDTV(1080p)	1920 x 1080	24/50/60	

ADDITIONAL INFORMATION

True 3D video compatibility

Input resolutions	HDMI 3D Input (with 3D InfoFrame information)	Input timing		
		1280 x 720P @ 50Hz	Top-and-Bottom	
		1280 x 720P @ 60Hz	Top-and-Bottom	
		1280 x 720P @ 50Hz	Frame packing	
		1280 x 720P @ 60Hz	Frame packing	
		1920 x 1080i @ 50Hz	Side-by-Side(Half)	
		1920 x 1080i @ 60Hz	Side-by-Side(Half)	
		1920 x 1080P @ 24Hz	Top-and-Bottom	
		1920 x 1080P @ 24Hz	Frame packing	
	HDMI 3D Input (without 3D InfoFrame information)	1920 x 1080i @ 50Hz	Side-by-Side(Half)	SBS mode is on
		1920 x 1080i @ 60Hz		
		1280 x 720P @ 50Hz		
		1280 x 720P @60Hz	Top-and-Bottom	TAB mode is on
		1920 x 1080i @ 50Hz		
		1920 x 1080i @ 60Hz		
		1280 x 720P @ 50Hz		
		1280 x 720P @60Hz		
480i	HQFS (3D format is Frame sequential)			

Note:

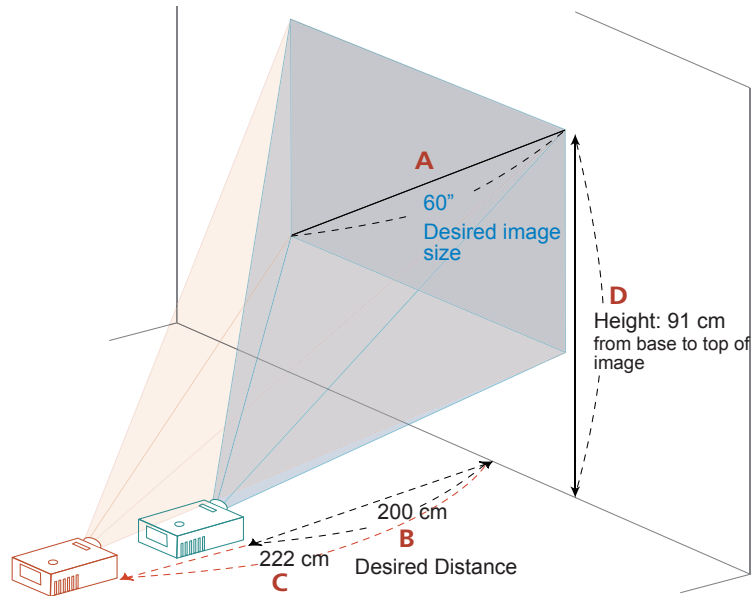
- Functions vary depending on model definition.
- If 3D input is 1080p@24Hz, the DMD should replay with integral multiple with 3D mode.
- 1080i@25Hz and 720p@50Hz will run in 100Hz, other 3D timing will run in 120Hz.
- 1080P@24Hz will run in 144Hz.

ADDITIONAL INFORMATION

Image size and projection distance

WXGA Series for 1.1x zoom

To obtain an image size of 60" set the projector at a distance 200 cm and 222 cm from the screen.



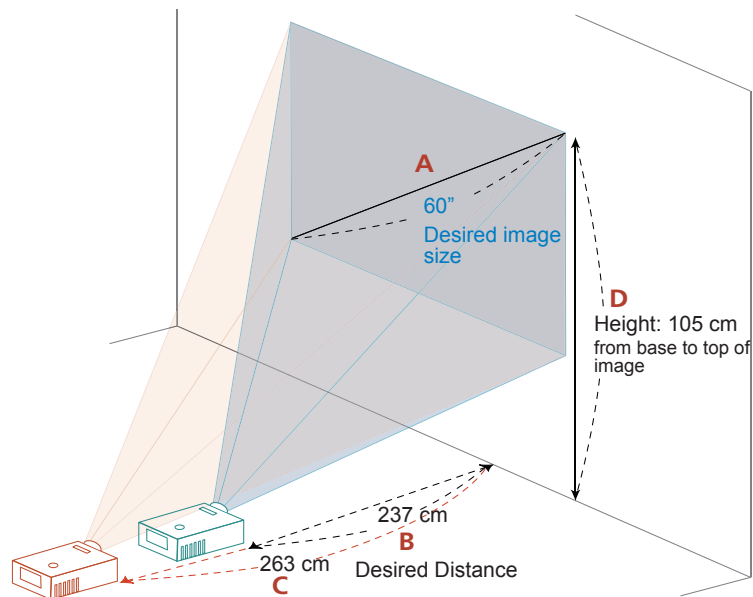
Desired image size			Distance (cm)		Top (cm)
Diagonal (inch) <A>	W (cm)	H (cm)	Max zoom 	Min zoom <C>	From base to top of image <D>
30	65	40	100	111	45
40	86	54	133	148	61
50	108	67	166	185	76
60	129	81	200	222	91
70	151	94	233	259	106
80	172	108	266	296	121
90	194	121	299	333	136
100	215	135	333	370	151
150	323	202	499	556	227
180	388	242	599	667	272
200	431	269	665	741	303
250	538	337	831	926	378
300	646	404	998	N/A	454

Zoom Ratio: 1.1x

ADDITIONAL INFORMATION

XGA Series for 1.1x zoom

To obtain an image size of 60" set the projector at a distance 237 cm and 263 cm from the screen.



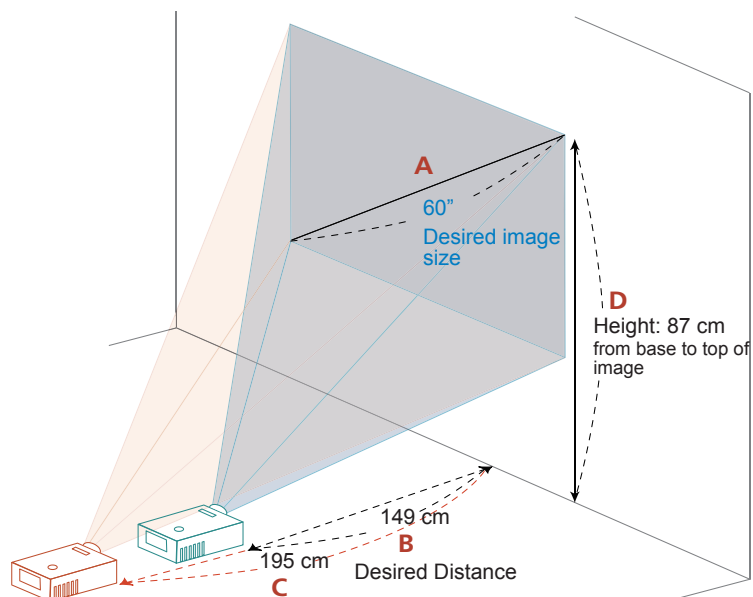
Desired image size			Distance (cm)		Top (cm)
Diagonal (inch) <A>	W (cm)	H (cm)	Max zoom 	Min zoom <C>	From base to top of image <D>
30	61	46	118	132	53
40	81	61	158	176	70
50	102	76	197	219	88
60	122	91	237	263	105
70	142	107	276	307	123
80	163	122	315	351	140
90	183	137	355	395	158
100	203	152	394	439	175
150	305	229	591	658	263
180	366	274	710	790	315
200	406	305	788	878	351
250	508	381	986	1097	438
300	610	457	1183	N/A	526

Zoom Ratio: 1.1x

ADDITIONAL INFORMATION

1080p series for 1.3x zoom ratio

To obtain an image size of 60" set the projector at a distance 149 cm and 195 cm from the screen.



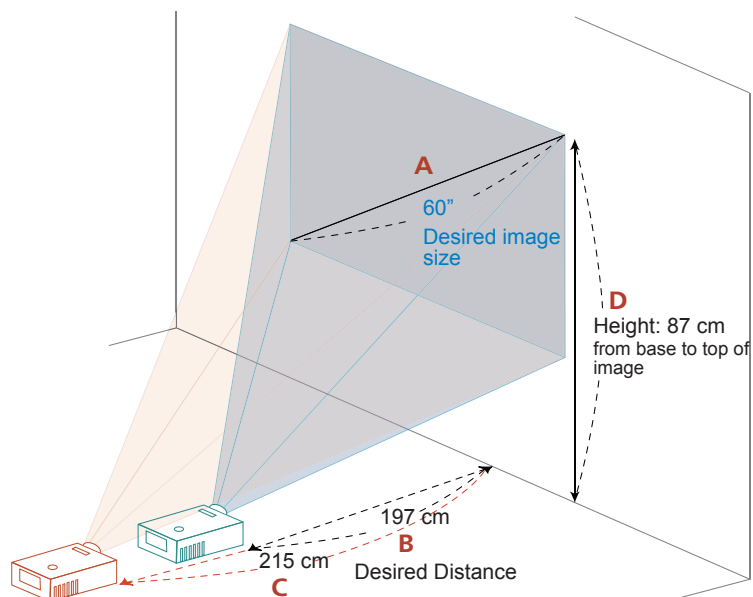
Desired image size			Distance (cm)		Top (cm)
Diagonal (inch) <A>	W (cm)	H (cm)	Max zoom 	Min zoom <C>	From base to top of image <D>
30	66	37	NA	98	43
40	89	50	99	130	58
50	111	62	124	163	72
60	133	75	149	195	87
70	155	87	174	228	101
80	177	100	198	260	116
90	199	112	223	293	130
100	221	125	248	325	144
120	266	149	298	391	173
150	332	187	372	488	217
180	398	224	446	586	260
200	443	249	496	651	289
250	553	311	620	814	361
300	664	374	744	N/A	433

Zoom Ratio: 1.3x

ADDITIONAL INFORMATION

1080p series for 1.1x zoom ratio

To obtain an image size of 60" set the projector at a distance 197 cm and 215 cm from the screen.



Diagonal (inch) <A>	Desired image size		Distance (cm)		Top (cm)
	W (cm)	H (cm)	Max zoom 	Min zoom <C>	From base to top of image <D>
30	66	37	98	108	43
40	89	50	131	143	58
50	111	62	164	179	72
60	133	75	197	215	87
70	155	87	229	251	101
80	177	100	262	287	116
90	199	112	295	323	130
100	221	125	328	359	144
120	266	149	393	430	173
150	332	187	491	538	217
180	398	224	590	646	260
200	443	249	655	717	289
250	553	311	819	897	361
300	664	374	983	NA	433







Zoom Ratio: 1.1x

ADDITIONAL INFORMATION

Troubleshooting

If you experience a problem with your projector, please refer to the following information. If a problem persists, please contact your local reseller or service center.

Image problems

-  *No image appears on-screen*
- Ensure all the cables and power connections are correctly and securely connected as described in the "Installation" section.
 - Ensure the pins of connectors are not crooked or broken.
 - Ensure that the "Mute" feature is not turned on.
-  *Image is out of focus*
- Turn the focus ring clockwise or counterclockwise until the image is sharp and legible. (Please see page 21).
 - Make sure the projection screen is between the required distance from the projector. (Please refer to pages 46-49).
-  *The image is stretched when displaying 16:9 DVD title*
- When you play anamorphic DVD or 16:9 DVD, the projector will show the best image in 16: 9 format on projector side.
 - If you play the LBX format DVD title, please change the format as LBX in projector OSD.
 - If you play 4:3 format DVD title, please change the format as 4:3 in projector OSD.
 - Please setup the display format as 16:9 (wide) aspect ratio type on your DVD player.
-  *Image is too small or too large*
- Turn the zoom lever clockwise or counterclockwise to increase or decrease the projected image size. (Please see page 21).
 - Move the projector closer to or further from the screen.
 - Press "Menu" on the projector panel, go to "Display → Aspect Ratio". Try the different settings.
-  *Image has slanted sides:*
- If possible, reposition the projector so that it is centered on the screen and below the bottom of the screen.
-  *Image is reversed*
- Select "Setup → Projection" from the OSD and adjust the projection direction.


ADDITIONAL INFORMATION

Other problems

 *The projector stops responding to all controls*

- If possible, turn off the projector, then unplug the power cord and wait at least 20 seconds before reconnecting power.

Remote control problems

 *If the remote control does not work*

- Check the operating angle of the remote control is pointed within $\pm 20^\circ$ to the IR receiver on the projector.
- Make sure there are not any obstructions between the remote control and the projector. Move to within 5 m (16.4 ft) of the projector.
- Make sure batteries are inserted correctly.
- Replace batteries if they are exhausted.

Warning indicators

When the warning indicators (see below) light up or flash, the projector will automatically shutdown:

- “Lamp” LED indicator is lit red and if “Power” indicator flashes red.
- “Temp” LED indicator is lit red and if “Power” indicator flashes red. This indicates the projector has overheated. Under normal conditions, the project can be switched back on.
- “Temp” LED indicator flashes red and if “Power” indicator flashes red.

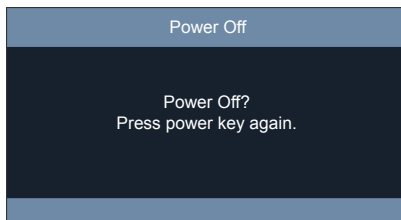
Unplug the power cord from the projector, wait for 30 seconds and try again. If the warning indicator light up or flash, please contact your nearest service center for assistance.

LED lightning messages

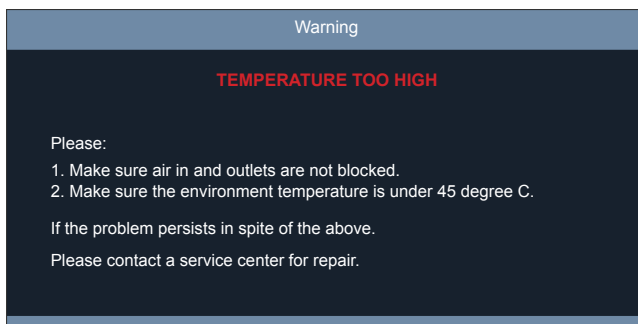
Message	Power LED		Temp LED	Lamp LED
	(Red)	(Green) or (Blue)	(Red)	(Red)
Standby state (Input power cord)	Steady light			
Power on (Warming)		Flashing (0.5 sec off / 0.5 sec on)		
Power on and Lamp lighting		Steady light		
Power off (Cooling)		Flashing (0.5 sec off / 0.5 sec on). Back to red steady light when cooling fan turns off.		
Error (Lamp failure)	Flashing			Steady light
Error (Fan failure)	Flashing		Flashing	
Error (Over temp.)	Flashing		Steady light	

ADDITIONAL INFORMATION

- Power off:



- Temperature warning:



ADDITIONAL INFORMATION

Specifications

Optical	Description
Maximum resolution	Up to 4K resolution (1080P model only)
Native resolution	<ul style="list-style-type: none">• XGA 1024(H) x 768(V)• WXGA 1280(H) x 800(V)• 1080p 1920(H) x 1080(V)
Lens	Manual zoom and manual focus
Image size (diagonal)	<ul style="list-style-type: none">• XGA: 30"~300" (76.2cm~762cm)• WXGA: 30"~300" (76.2cm~762cm)• 1080p: 30"~300" (76.2cm~762cm)
Projection distance	<ul style="list-style-type: none">• XGA: 1.18m~11.8m (3.6 feet~38.7 feet)• WXGA: 1.00m~9.98m (3.3 feet~32.5 feet)• 1080p: 0.74m~7.44m (2.3 feet~24.2 feet)• 1080p: 1.00m~9.83m (3.3 feet~32.4 feet)

Electrical	Description
I/O ports	<ul style="list-style-type: none">• HDMI 1• HDMI 2• RS232• USB Type-A for DC 5V Out (service)• Audio out• DC IN• USB Type A for WiFi• Audio In 3.5mm• VGA In
Native resolution	<ul style="list-style-type: none">• XGA 1024(H) x 768(V)• WXGA 1280(H) x 800(V)• 1080p 1920(H) x 1080(V)
Color reproduction	1.07 billion colors
Built-in speaker	15W
Power Adaptor	230W power AC Input: 100~240V, 50-60Hz DC Output: 19.5V, 9.23A(max) Load.
Input current	230W power Inupt 3.5A

Mechanical	Description
Installation orientation	Front, Rear, Ceiling-top, Rear-top
Dimensions	<ul style="list-style-type: none">• 286 x 216 x 115.5mm(with feet)• 286 x 216 x 108.5mm(without feet)
Weight	2.9±0.5kg
Environmental conditions	Operating in 0 ~ 40°C , 0 to 80% humidity (non-condensing)

Note:

- All specifications are subject to change without notice.
- Functions vary depending on model definition.

ADDITIONAL INFORMATION

Regulations and safety notices

Compliant with Russian/ Ukraine regulatory certification



Radio device regulatory notice

Note: The regulatory information below is for models with wireless LAN and/or Bluetooth only.

General

This product complies with the radio frequency and safety standards of any country or region in which it has been approved for wireless use. Depending on configurations, this product may or may not contain wireless radio devices (such as wireless LAN and/or Bluetooth modules).

Canada — Low-power license-exempt radio communication devices (RSS-247)

a Common information

Operation is subject to the following two conditions:

1. This device may not cause interference, and
2. This device must accept any interference, including interference that may cause undesired operation of the device.

b Operation in 2.4 GHz band

To prevent radio interference to the licensed service, this device is intended to be operated indoors and installation outdoors is subject to licensing.

List of applicable countries

This device must be used in strict accordance with the regulations and constraints in the country of use. For further information, please contact the local office in the country of use.

Please see <http://ec.europa.eu/enterprise/rtte/implem.htm> for the latest country list.

Recycling Information for the United States of America

Acer encourages information technology (IT) equipment owners to responsibly recycle their equipment when it is no longer needed. Acer offers programs and services to assist equipment owners with this process.

For more information on recycling IT equipment, please go to: <https://www.acer.com/ac/en/US/content/recycling>