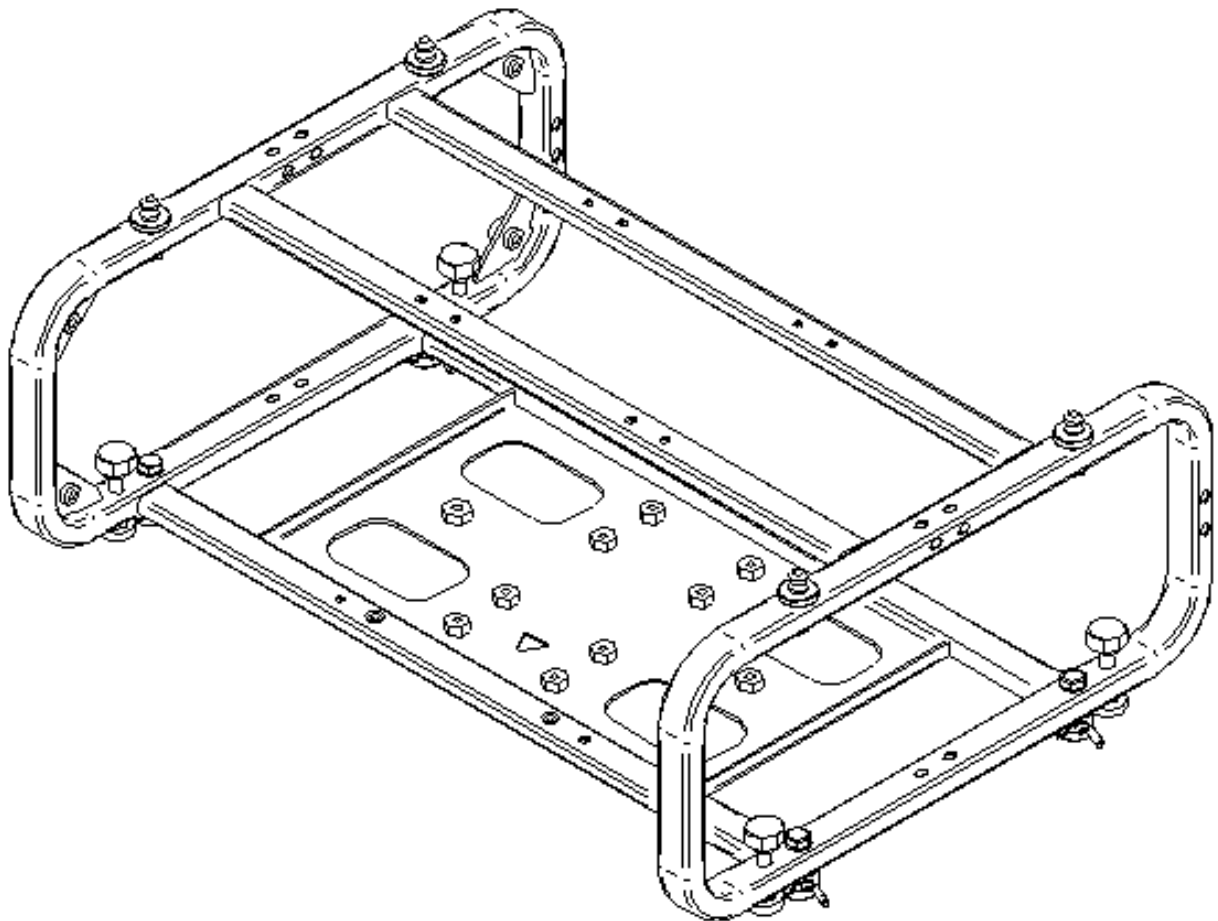


User's Guide

ELPMB84

Projector Stacking Frame Beta

V12H006AW0



Safety Precautions

DANGER

- Failure to comply with these safety precautions results in death or serious injury;
- ELECTRICAL SHOCK HAZARD! Always turn off, disconnect, and disengage all power sources to the projector before servicing;

WARNING

Failure to comply with these safety precautions may result in serious injury.

- At least two qualified people should perform the installation procedure. Personal injury and/or property damage can result from dropping or mishandling the projector;
- If mounting to ceiling studs, make sure that the mounting screws are anchored into the center of the ceiling studs. Use of an edge-to-edge stud finder is recommended;
- Be aware of the mounting environment. If drilling and/or cutting into the mounting surface, always make sure that there are no electrical wires in the wall;
- Do not install near sources of high heat. Do not install on a structure that is prone to vibration, movement or chance of impact.

INSTALLATION SAFETY

KITE can only be used by skilled staff who also have the authorization to TRANSPORT, INSTALL and ADJUST the projector in complete safety based on the necessary knowledge and competence.

In order to avoid injuries, it is necessary to comply with the following safety rules:

- Use ELPMB84 with a projector only in environments which are not exposed to weather events.
- Make sure the projector is compatible with the cage on which it is fitted, as using incompatible projectors could cause serious damages and injuries.
- Do not place ELPMB84 on: unstable surfaces, walls or unsuitable structures.
- For STACKING, make sure all safety PINS are fastened with their safety locks, then make sure all nuts are tightened correctly onto the threaded PINS.
- Do not mount ELPMB84 or the projector when people are standing underneath the installation area.

- Always fasten ELPMB84 to the TRUSS with a steel safety cord using the specific eyelets: in case of fault or failure, the cord must ensure the cage not to be falling down lower than 5 cm.
- Please read the local rules and regulations to comply with any possible additional safety rules for hanging loads.
- Before mounting the projectors on ELPMB84, carefully read the user's manual for both products.
- If the projector is equipped with an additional lens, make sure it is removed during the installation process.
- At least 2 people are required to install ELPMB84.
- To avoid any risks during assembly and disassembly process:
 - Wear gloves, helmet and suitable safety shoes,
 - Make sure the underlying area is cleared and free.
- Carefully follow the instructions described in the manual for STACKING ELPMB84.
- Do not stack more than 3 ELPMB84 on the floor and no more than 2 hanging.

The supporting structures and their components must be certified to support the cage and projector weight.

TOOLS AND SPARE PARTS INCLUDED

- M6 – 35mm x4 kit;
- M6 – 30mm x4 kit;

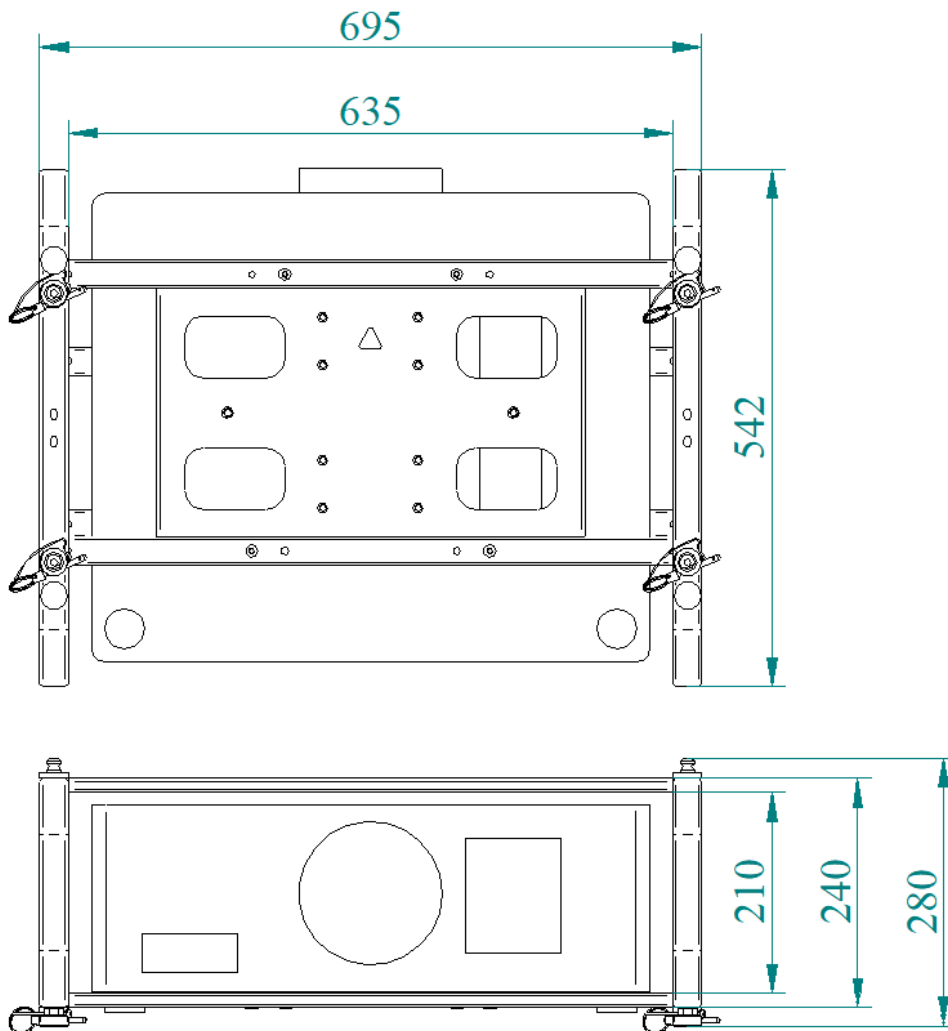
General information and compatibility

ELPMB84 is a support system for EPSON video-projectors.
Compatible projectors are:

- EB-PU2213B, EB-PU2113W (13 000 lumen)
- EB-PU2216B, EB-PU2116W (16 000 lumen)
- EB-PU2220B, EB-PU2120W (20 000 lumen)
- and similar.

Furthermore, all series L-1000 projectors are also compatible, yet they require an optional plate (see chapter 10) find the complete list here:

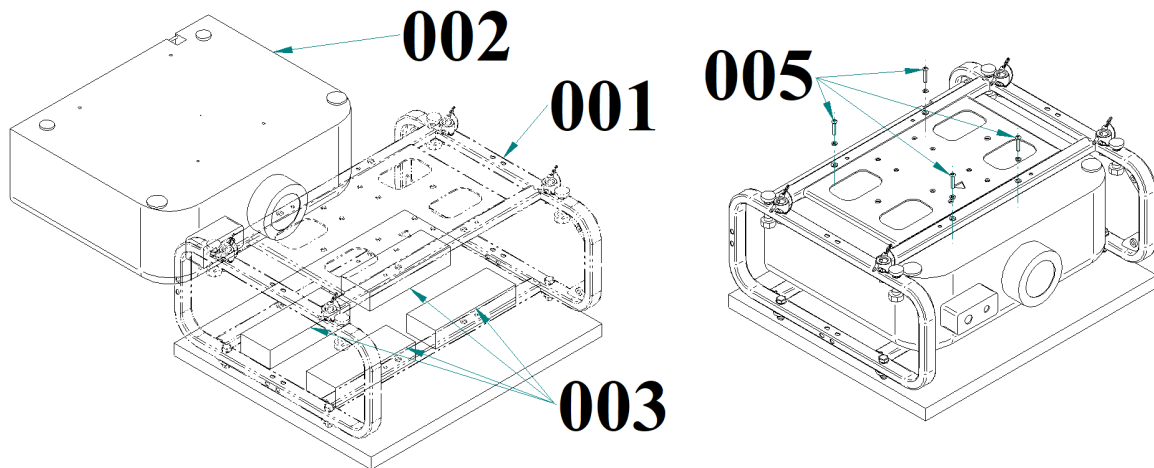
EB-L1000U, EB-L1100U, EB-L1200U, EB-L1300U, EB-L1405U, EB-L1490U, EB-L1495U, EB-L1500UH, EB-L1505UH, EB-L1710S, EB-L1715S, EB-L1750U, EB-L1755U, and similar models.



VIDEO PROJECTOR INSTALLATION

In order to assemble the video-projector, it is necessary to:

- 2.1 - Put the cage (001) upside down (with the plate turned upwards);
- 2.2 - Place the 4 cardboard spacers (003) you can find inside the box as shown in the picture;
- 2.3 - Insert the projector into the cage (see picture) until flush with the spacers and placing the fastening holes onto the 4 cage points (where the white bushings are located) and fasten it with the screws and washers set available (005) in the box.

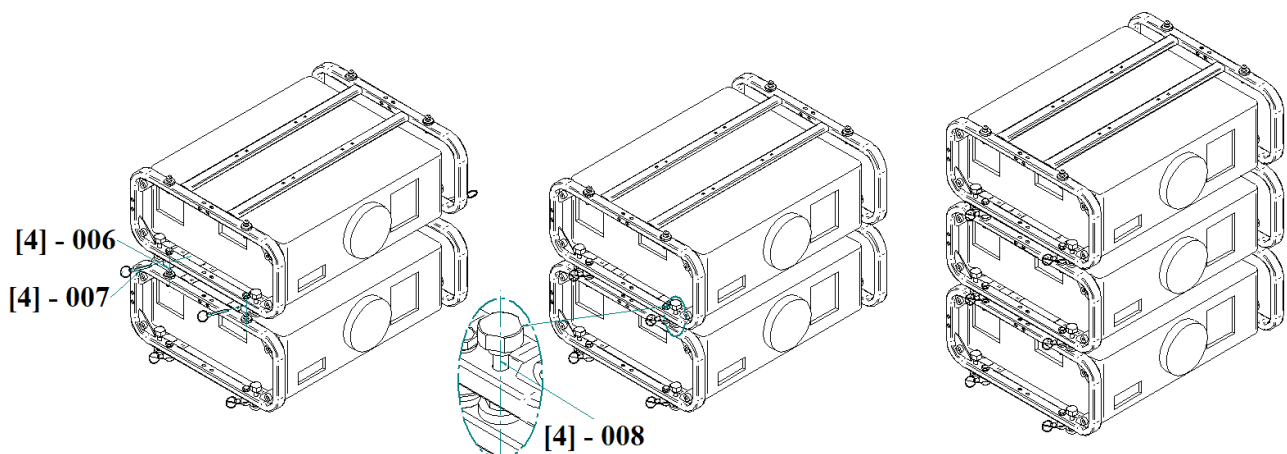


VERTICALLY STACKED POSITION

It is possible to stack 2 ELPMB84 (by hanging them) up to maximum 3 ELPMB84 (when on the ground).

To stack 2 cages it is necessary to:

- 3.1 - Place the 4 female upper cage pins onto the 4 male lower cage pins (006), perfectly overlapping both cages on these coupling positions
- 3.2 – Fasten the 2 ELPMB84 with the safety pin (007)
- Turn the 4 legs knob (008) until there is no more play between the 2 cages;
- 3.4 – Repeat the previous steps if stacking a third cage.

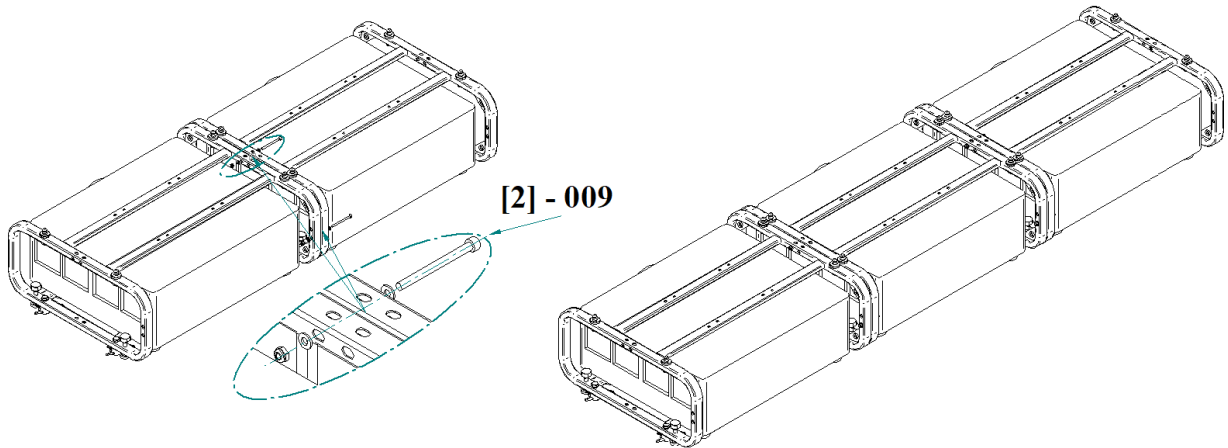


STACKING Laterally

ELPMB84 can also be stacked laterally.

In this case it is necessary to:

- 4.1 – Place 2 ELPMB84 in a parallel way on the ground;
- 4.2 – Make sure the (upper and rear) lateral eyelet pairs are coaxial;
- 4.3 – Use the screws, washers and nuts set (009) to fasten the cages to each other;
- 4.4 – Repeat the previous steps if stacking a third cage.

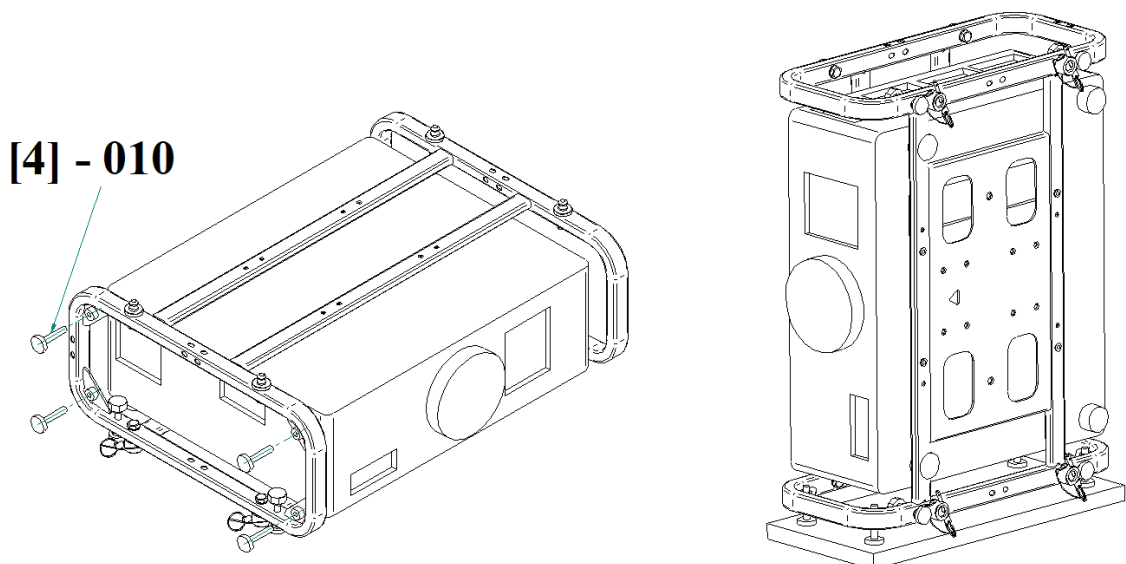


FLOOR PORTRAIT

ELPMB84 can be laid on the floor on a side.

In order to do it, it is necessary to:

- 5.1 – Fasten the 4 threaded feet (010) available in the 4 plate set (on the right-hand side of the cage);
- 5.2 – Lay the cage on the ground laterally and adjust its position by using the feet.



ADDITIONAL UPPER/REAR BAR (ELPMB80 – ELPMB83)

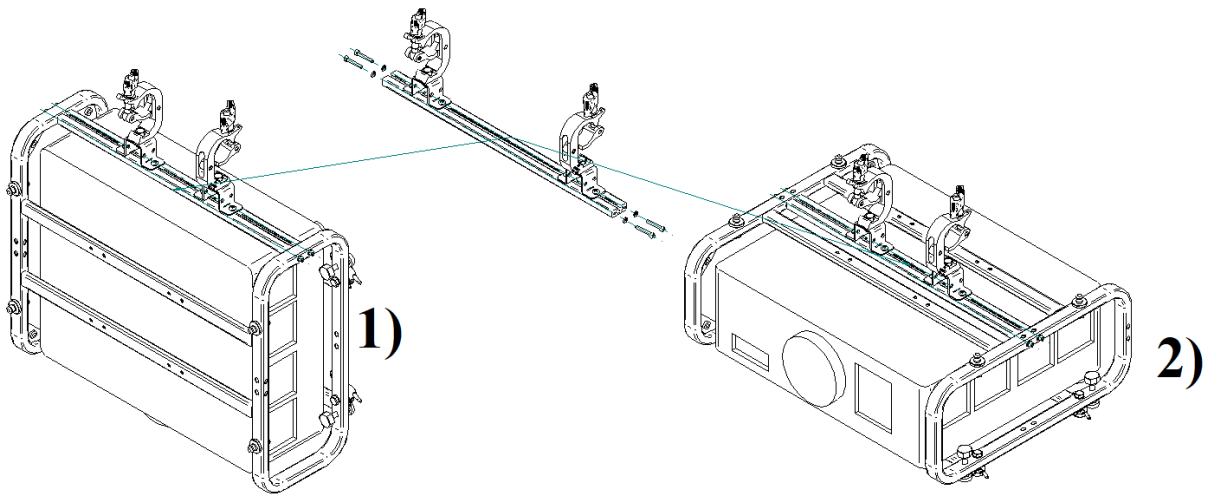
It is an option that is compatible with ELPMB84 and is used to fasten the cage to a truss by hanging it from the upper or rear side (not compatible with ELPMB76).

To fasten the bar (in both cases):

6.1 – place the bar so that its thread is coaxial with the (upper or rear)side eyelets located on the ring pipe;

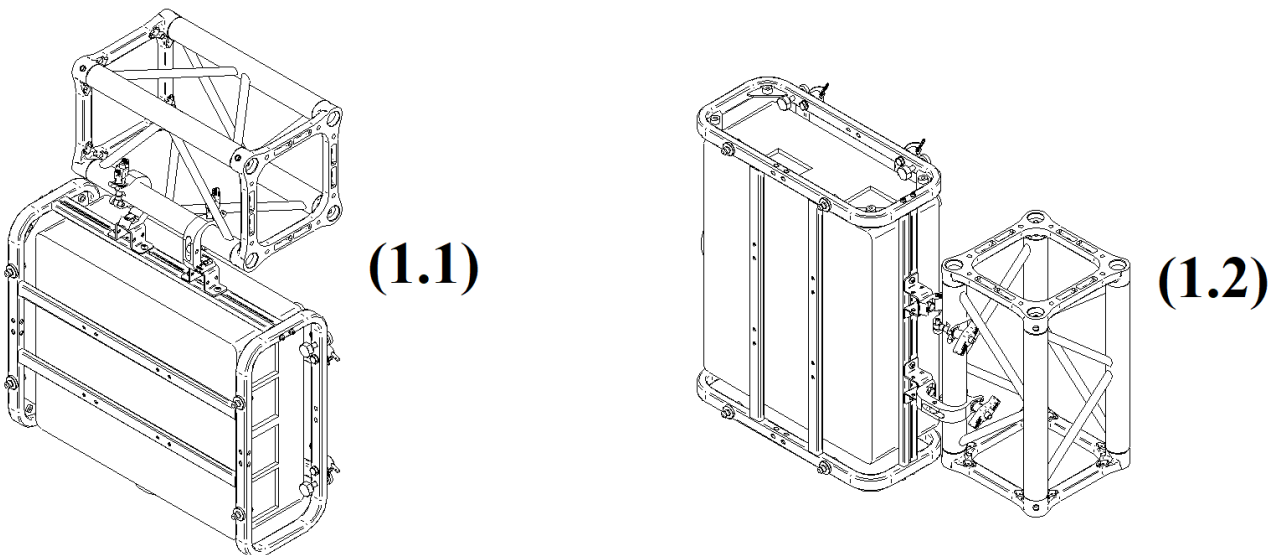
6.2 – Then, tighten the 4 screws and washers (included in the optional set) until the bar is safely fastened.

The 2 Clamps can slide on each other (by loosening the 2 lateral screws on each omega plate) and can also be rotated to adapt the coupling to any situation.



1) When the additional bar is in the rear position, it is possible to use the projection as follows:

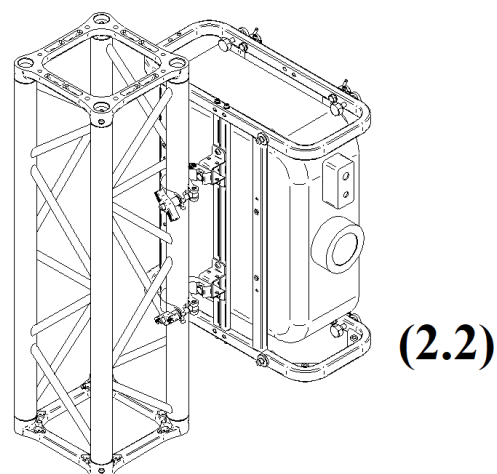
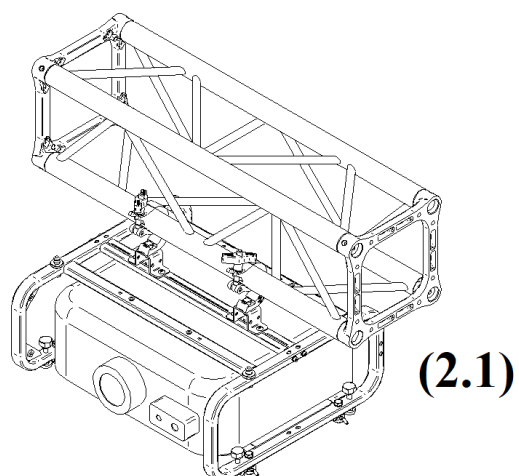
- 1.1) Floor
- 1.2) Portrait



2) Whereas in the upper position, the possible projections modes are:

2.1) Landscape

2.2) Portrait

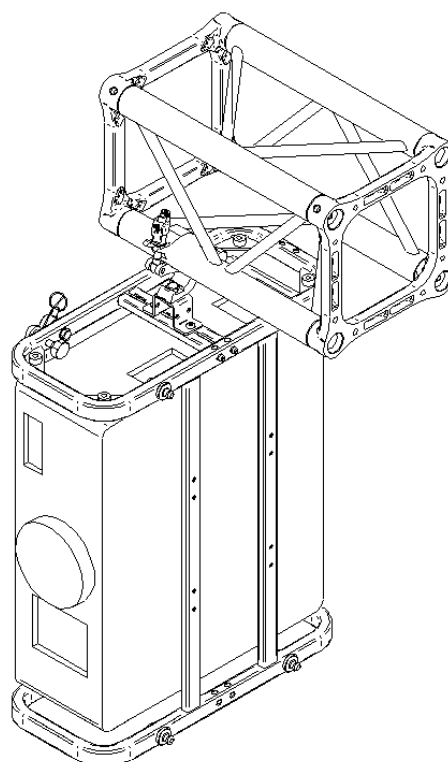
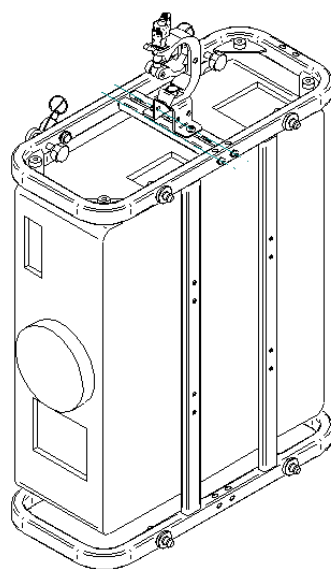


ADDITIONAL SIDE BAR (ELPMB78)

It is based on the same principle as the additional upper/rear bar, although the latter must be fastened laterally and has a single Clamp.

To assemble the items, follow the same procedure illustrated in the previous chapter.

In this case, the only projection mode allowed is Portrait, hanging on a traditional horizontal truss.



STANDARD EUROMET FASTENING (FOR OPT)

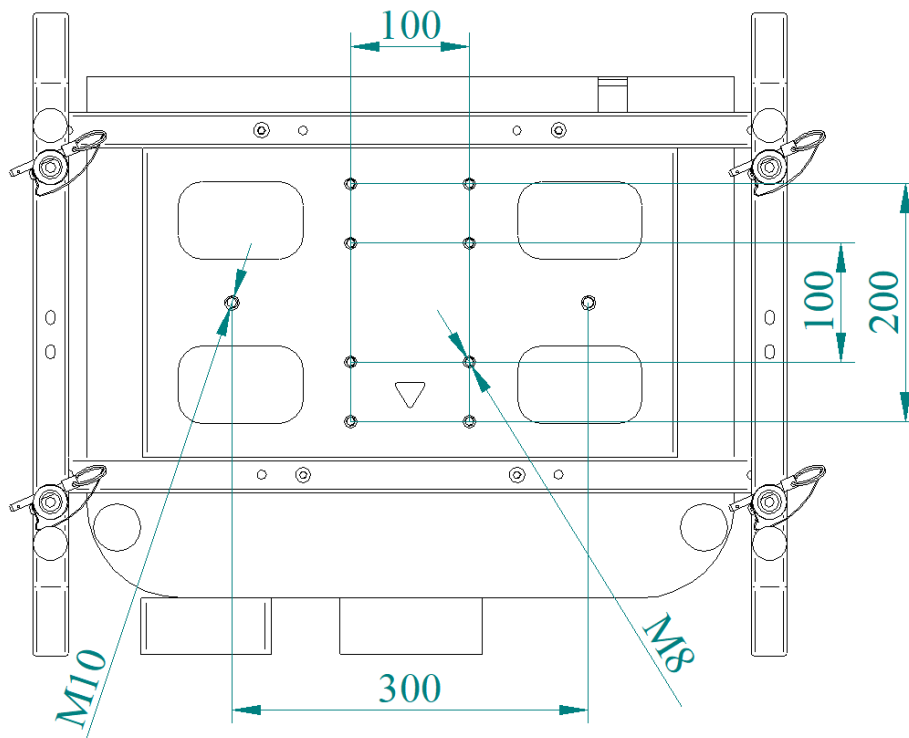
ELPMB84 has a 100x100 mm centre distance with M8 thread to fasten all Euromet OPT equipped with the same standard fastening system.

ELPMB84 has another 100x200 fastening system that can be useful when securing Kite (see chapter 11B).

The 2 M10 threads are used to directly fasten the Clamps (see chapter 10).

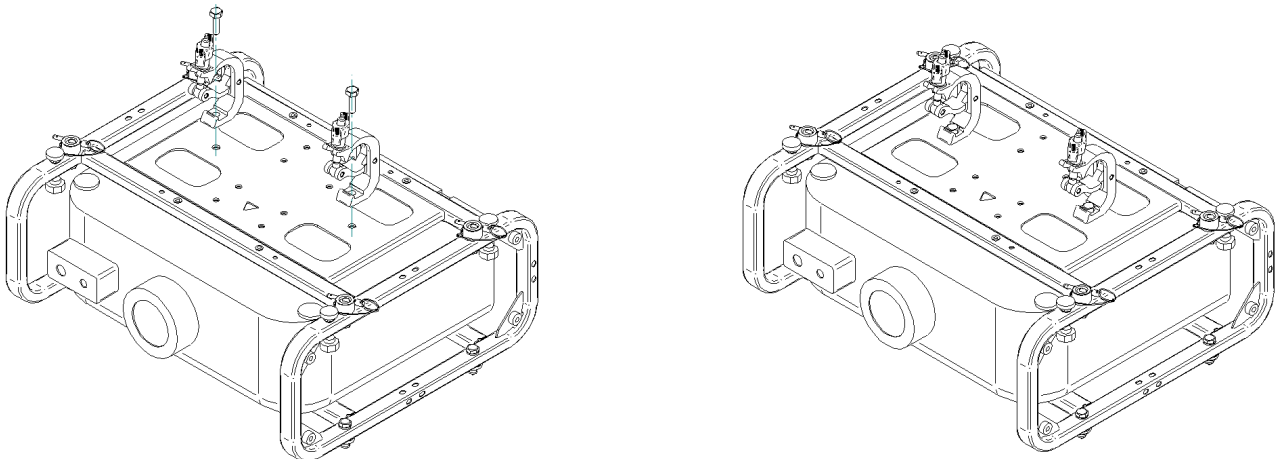
If special installations are required, please contact Euromet to know which OPT you should use together with the cage.

In the following picture you can see the lower fastening plate and its fastening holes.



CLAMP FASTENING

This OPT includes a Clamp pair with a standard 50 mm diameter, including the M10 screw set for the 2 ELPMB84 plate holes (2 male M10 holes with a 300mm distance).



MECHANICAL ORIENTATION SYSTEM (OPT – OPTIONAL)

A)

B) ELPMB81 Tilt Adapter

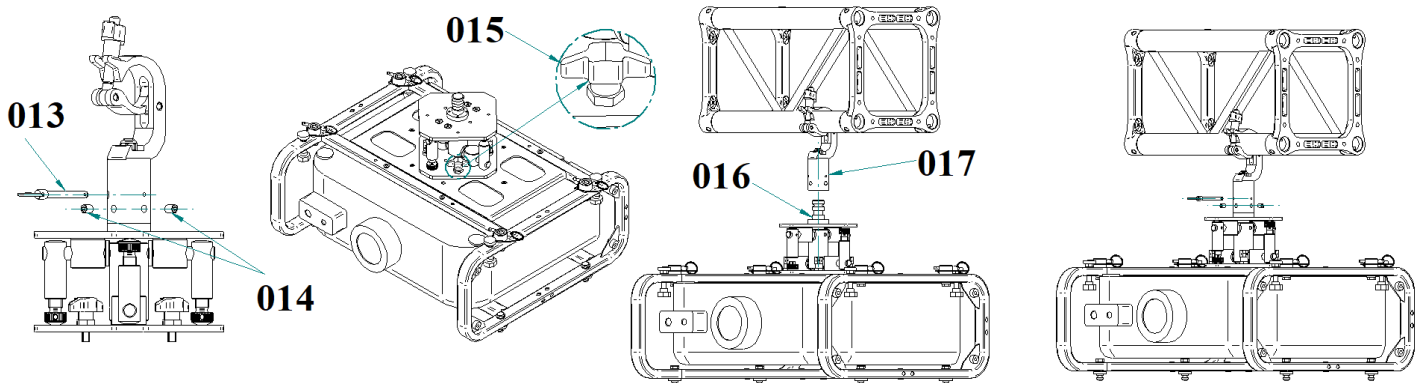
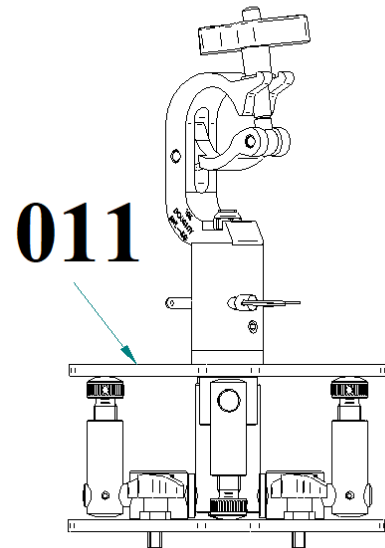
ELPMB81 is an OPT making it possible to hang ELPMB84 to a truss and provide projection orientation:

- by tilting $\pm 10^\circ$ on 2 rotation axes (pitching, rolling);
- by rotating by 360° (yaw).

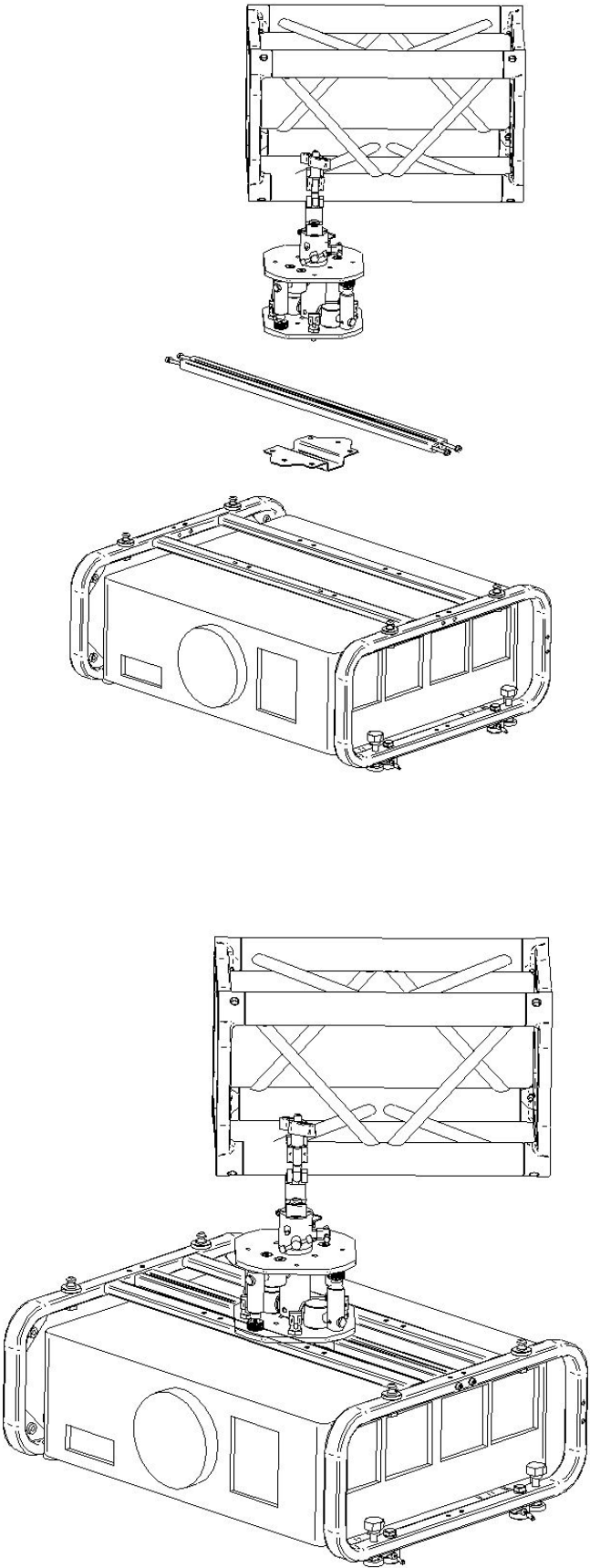
This item is also equipped with fastening systems to secure the desired position.

The following paragraph explains how to use ELPMB81:

- Loosen the 2 pins (014) and remove the safety pin (013);
- Remove the ELPMB81 female pin (017) where the Clamp has already been fastened and hang it to the truss;
- Place ELPMB84 with the plate turned upwards;
- Apply ELPMB81 to the plate and screw the unlosable handles (015) to the ELPMB84 4 female M8 threaded holes with 100x100 distance (tighten the 4 threads manually with the knob);
- Insert the female pin (016) into its counterpart (017) again and insert the previously removed safety pin into the specific hole;
- ELPMB84 can now turn 360° . Choose the desired angle and secure the rotation by tightening the 2 pins (in the pictures the pins are removed from the female insert for an easier understanding, but as a matter of fact, it is just necessary to loosen them enough as to remove the male insert);
- Once ELPMB84 is fastened to the truss, use the 4 ELPMB81 adjustment pins (018) to adjust pitching and rolling and, then, to secure the position.



ELPMB76 can be attached via upper bar (ELPMB80/83) using the Exhagon Plate and the ELPMB81 for a micrometric adjustment of the projector.

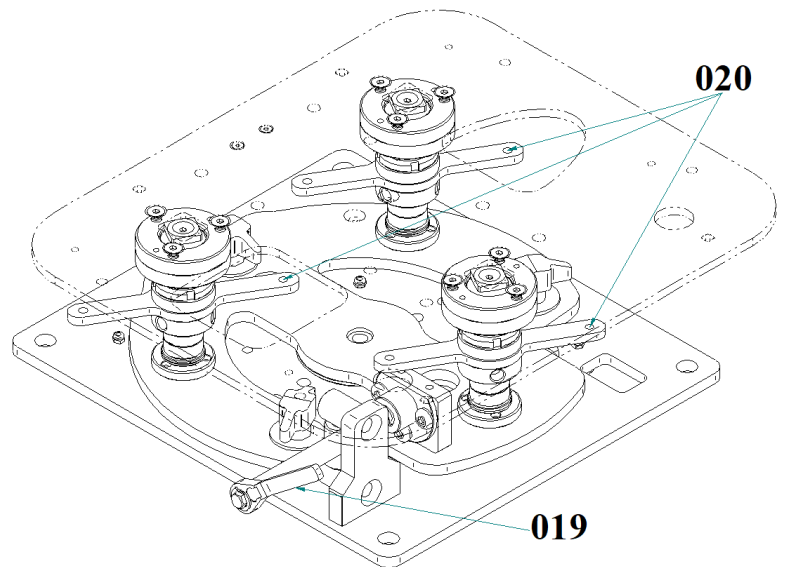


C) ELPMB77 Tilt Mounting Plate Adapter

As to ELPMB81, ELPMB77 has lower adjustment angles (4° for each rotation axis), yet it has a micrometric adjustment for a better precision if compared to the other OPT. ELPMB77 can lay on the floor, can be hung to a truss, to the ceiling or a wall (with its specific Euromet OPT items).

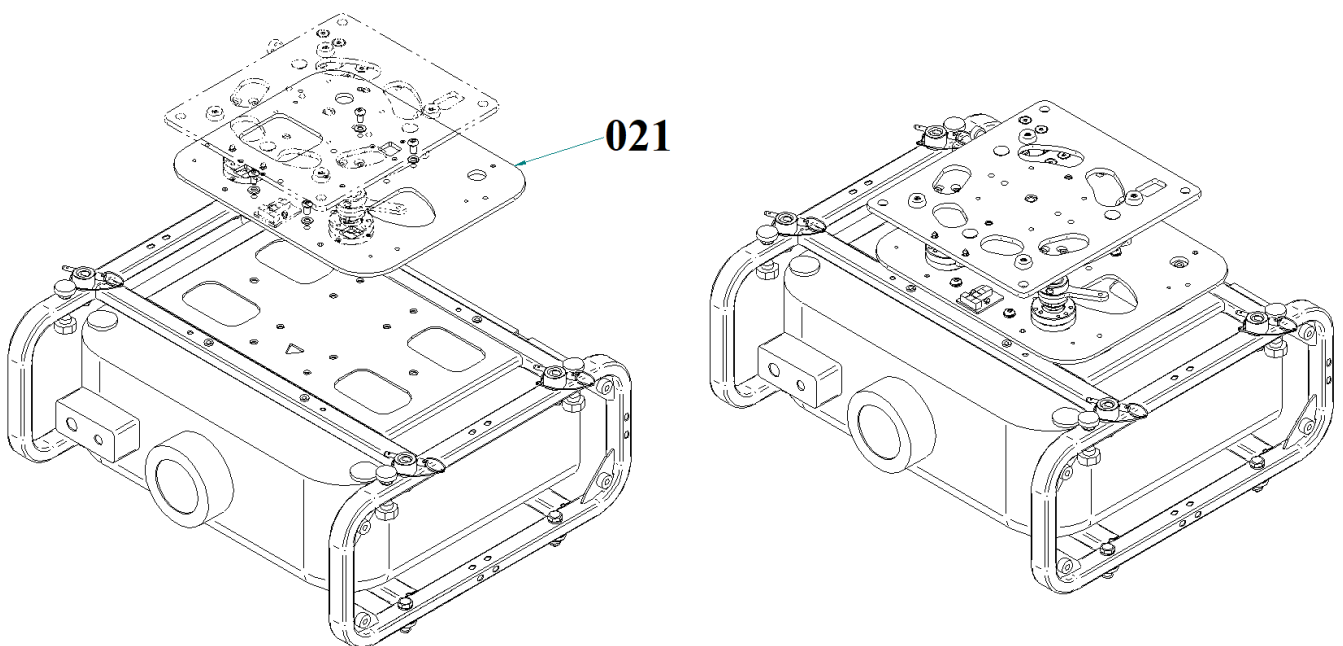
For adjusting, use:

- The ratchet (019) can change the projection yaw in both directions by using its tab.
- The 3 plate lifters (020) are used to adjust pitching and rolling.



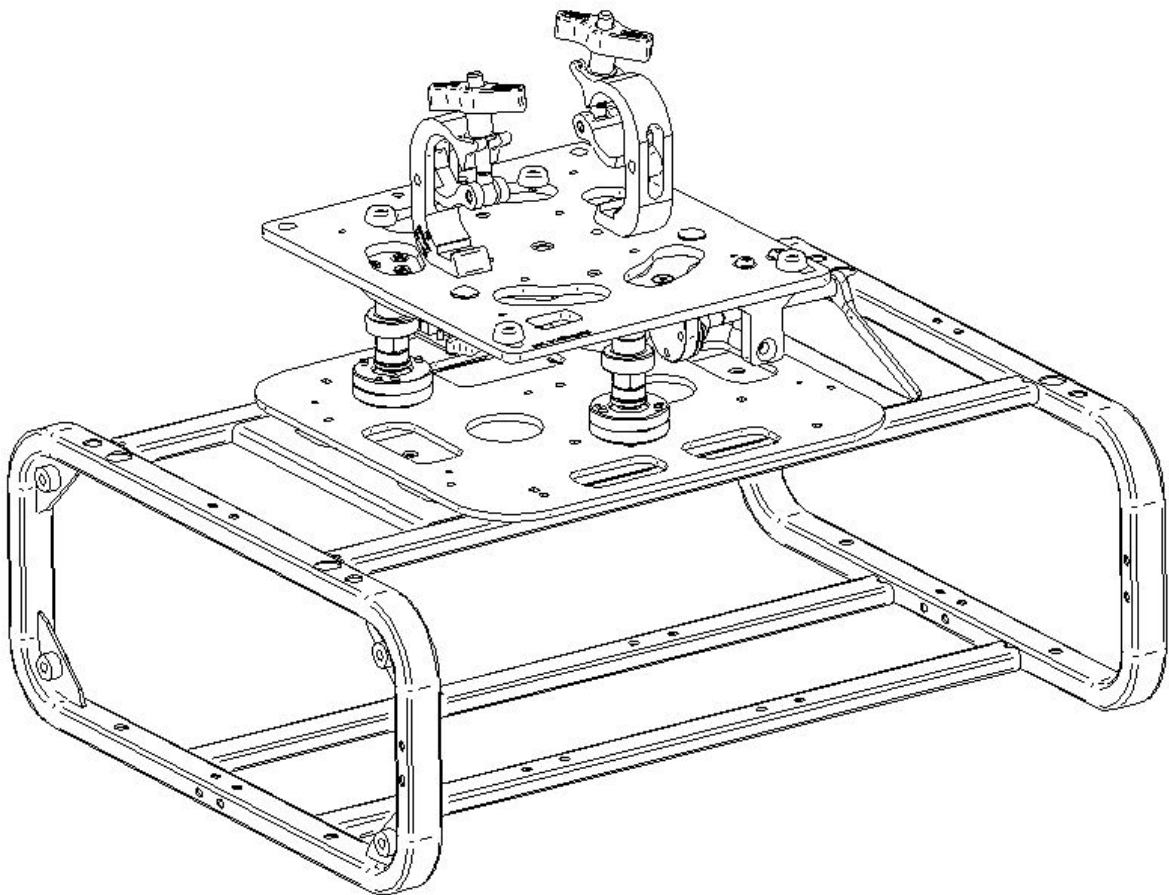
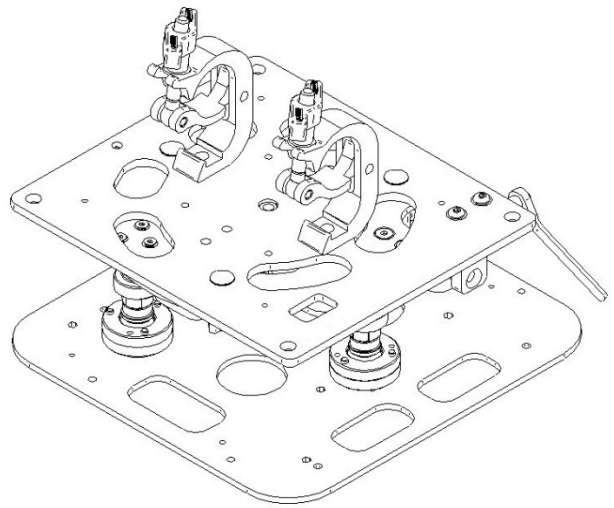
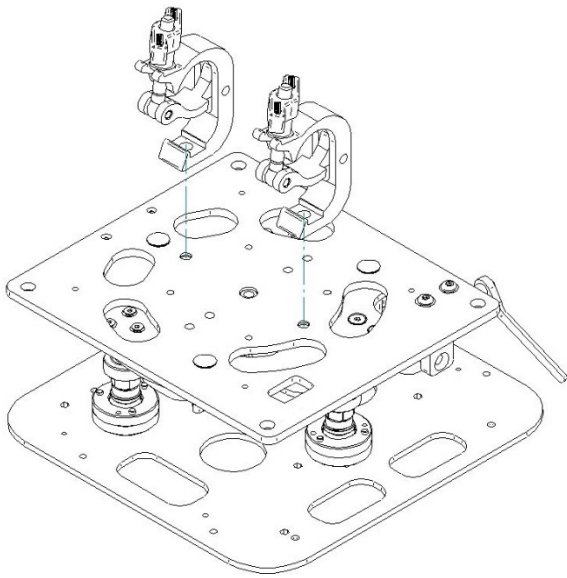
To fasten ELPMB84 to ELPMB77 it is necessary to:

- Place ELPMB84 with the plate turned upwards;
- Apply the upper ELPMB77 plate (021) to the cage plate (as shown in the picture)
- Overlap the 2 plates holes (the ones with 100x200 distance)
- Fasten them with 4 M8 screws and washers



Once ELPMB84 has been secured to ELPMB77, it is also possible stack another cage (this way both cages are secured to each other, but can be adjusted against the ELPMB77 fastening position). ELPMB77 stacking requires maximum 2 cages (both hanging and in floor position).

Clamps can be added to the ELPMB77 for a regulable truss connection.



Maintenance

Do not try to service this product yourself, except as specifically explained in this User's Guide. Refer all other servicing to qualified service personnel.

HARDWARE'S INSPECTION

The ELPMB79 arm adapter does not require special maintenance, but a visual inspection must be conducted before each installation involving the system.

Please conduct a visual inspection to ensure that all screws are in the correct positions and none are missing.

Tighten any loose hardware as needed to maintain stability and prevent the risk of the projector falling or becoming misaligned.

Ensure that screws, nuts and all components are not bent, damaged, or broken.

Please use the appropriate tool to check that all screws are securely tightened.

If any parts are broken or missing, please contact the seller to obtain the necessary spare parts.

CLEANING

Use a soft, dry cloth to gently wipe down the mount's surfaces, removing any dust or dirt. For stubborn stains or dirt buildup, lightly dampen the cloth with water or a mild, non-abrasive cleaner.

Avoid using harsh chemicals that may damage the mount's finish. Ensure that the mount is completely dry before reattaching the projector to prevent any electrical issues.

LUBRICATION OF MOVING PARTS (IF APPLICABLE):

If the projector mount includes moving parts such as hinges or swivel mechanisms, apply a small amount of lubricant to ensure smooth operation.

Use a lubricant recommended by the manufacturer to prevent damage to the mount's components.

CONCLUSIONS

By following this maintenance plan, you can keep your mount adapter and in optimal condition, prolonging their lifespan and ensuring reliable performance for your presentations or entertainment needs.