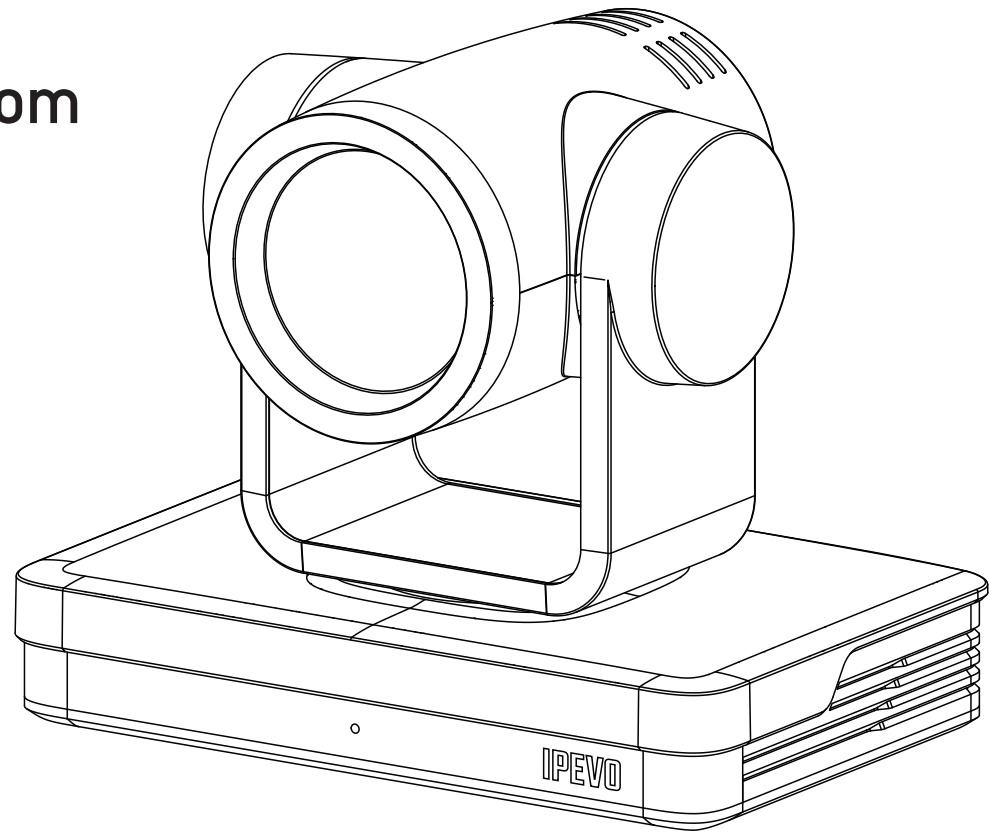


# IPEVO VC-Z4K

UHD 4K PTZ Camera

AI-empowered Pan, Tilt & Zoom



**IPEVO**  
www.ipevo.com

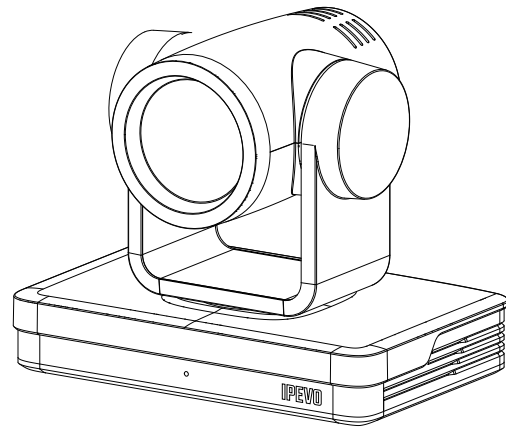
**Customer Service**

Email : salesus@ipevo.com

Tel : +1-408-490-3085 [USA]

# IPEVO

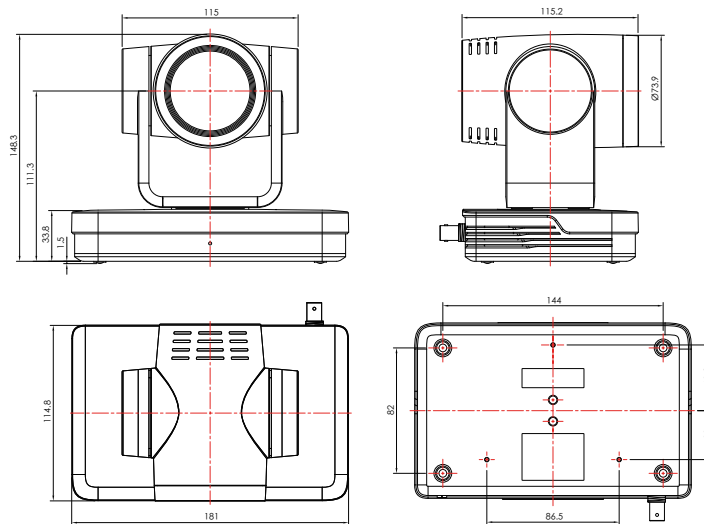
## VC-Z4K UHD 4K PTZ Camera



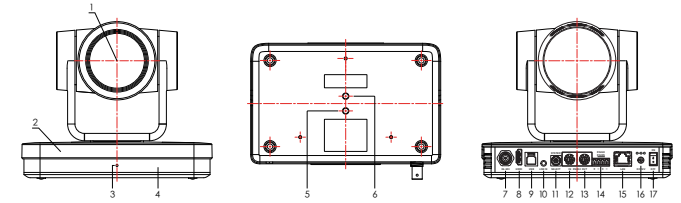
### 1. Packing List

Items	Quantity	Configuration
Video Conferencing Camera	1	Standard
Power Adapter	1	
USB3.0 Cable	1	
RS232 Serial Cable	1	
IR Remote Control	1	
Quick Start Guide	1	
Wall Mount Bracket	1	Optional
Ceiling Mount Bracket	1	

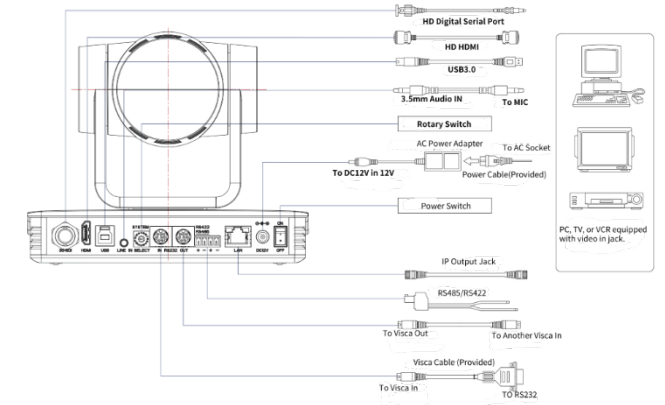
### 2. Product Dimension



### 3. Interfaces



Interfaces Description:		
1. Camera Lens	2. Camera Base	3. Indicator Light
4. Reserved Hole for Bottom Dip Switch	5. Tripod Screw Hole	6. Hole for Installation Fixation
7. SDI Output Interface	8. HDMI Output Interface	9. USB3.0 Interface
10. LINE-IN	11. Rotary DIP Switch	12. RS232 Control Interface(input)
13. RS232 Control Interface(output)	14. RS422/RS485 Interface	15. LAN Port
16. DC12V Input Power Supply Socket	17. Power Switch	



Product default IP address:192.168.5.163, 5 network segments need to be added to the computer.  
Note: Adding an IP address cannot conflict with the IP of other computers or products. Before adding, please verify whether this IP already exists.

## 4. Specification

Parameter/Model	12X
Image Sensor	1/2.8 inch high quality HD CMOS sensor
Effective Pixel	8.29M, 16: 9
Video Signal	<b>HDMI:</b> 4KP30, 4KP25, 1080P60, 1080P50, 1080P30, 1080P25, 720P60, 720P50, 1080P59.94, 1080P29.97, 720P59.94 <b>SDI:</b> 1080P60, 1080P50, 1080P30, 1080P25, 720P60, 720P50, 1080P59.94, 1080P29.97, 720P59.94 <b>USB3.0</b> <b>Main Stream:</b> YUY2/NV12: 1920×1080@10/5fps;1280×720@25/20/15/10/5fps; 1024×576/800×600/800×448/640×360/480×270/320×180@30/25/20/15/10/5fps; <b>MJPG/H264:</b> 3840*2160/2560*1440/1920*1080/1600*896/1280*720/1024*576/960*540/800*600/800*448/720*576/720*480/640*360/640*480/480*270/352*288/320*240@30/25/20/15/10/5fps; <b>Sub Stream:</b> YUY2/NV12: 1280*720/1024*576/800*600/800*448/640*360/640*480/480*270/320*180@30/25/20/15/10/5fps; <b>MJPG/H264:</b> 1920×1080/1600×896/1280×720/1024×576/960×540/800×600/800×448/720×576/720×480/640×360/640×480/480×270/352×288/320×240@30/25/20/15/10/5fps;
Optical Zoom	12X
Viewing Angle	H: 6.5° (N) ~ 70.9° (W)
Iris	F1.6 – F2.8±5%
Digital Zoom	15 X
Minimum Illumination	0.5Lux(F1.8, A6C ON)
DNR	2D * 3D
White Balance	Auto/Manual/One-push/Specified Color Temperature
Focus	Auto/Manual/One-push
Iris Mode	F1.8–F11, Close
Shutter Speed	1/25–1/20000

Interface Parameter	
Interfaces	HDMI, SDI, LAN(POE), USB3.0, A-IN, RS232-IN, RS232-OUT, RS422(Compatible with RS485), DC12V Power Supply, Dial Switch, Power Switch
Video Output	HDMI, SDI, LAN, USB3.0
Video Compression Format	LAN: H.264, H.265 USB 3.0: MJPG, H264, YUY2, NV12
Audio Input Interface	Double track 3.5mm linear input;
Audio Output Interface	HDMI, LAN, USB3.0, SDI
Audio Compression Format	AAC, MP3, G.711A
LAN Interface	10M/100M/1000M adaptive Ethernet port, support POE power supply, support audio and video output.
Control Interface	RS232-IN, RS232-OUT, RS422 compatible with RS485
Power Supply	HEC3800 Power Socket(DC12V)
Power Adapter	Input: AC110V-AC220V ; Output: DC12V/2.5A
Input Voltage	DC12V±10%
Input	<1A
Consumption	<12W

AI Function	
Real-time Tracking	The longest tracking distance of up to 6 to 7 meters, can support the speaker to walk at 3 to 4 mph
Zone Tracking	Support setting 4 tracking areas, and the areas is set within -170° ~ +170°in horizontal and -30° ~ +90°in vertical.

## 5. Remote Control



No.	Items	Function Description
1	Standby	Enter standby mode
2	Camera selection	select the camera you want to control
3	Number keys	Set or call out presetting
4	*, #	use with other keys
5	Focus	Focus +, Focus -
6	Zoom	Zoom in, zoom out
7	Set presetting	Set presetting + Number key (0-9)
8	Clear presetting	clear presetting + Number key (0-9)
9	PTZ Control	up, down, left, right movement
10	Home	PTZ back to center or enter the next menu
11	Backlight	Turn on/off BLC
12	Menu	Enter/exit OSD menu
13	AI Function Short Keys	F1: Turn off AI Human Detection F2: Turn on AI Human Detection F3: Switch between real time and region tracking modes F4: Change tracking target on real tracking modes

## 6. Warranty Card

This warranty apply to non-human damage within one year from the date of purchase. During the user's use, one of the following conditions is not covered by the warranty:

- ★ The failure due to man-made reasons such as unauthorized dismantling and modification.
- ★ The failure due to the use environment does not meet the product requirements.
- ★ Failure caused by force majeure factors (such as fire, earthquake, lightning strike, etc.).

Please keep this warranty card in proper for further service request.

Customer Name	
Address/Zip Code	
Telephone	
Product Model	
Serial No.	

Purchase Date	
Purchase Date	
Where Purchased	

## 7. Safety Precaution

### 1. Usage Caution

★ Avoid damage to product caused by heavy pressure, strong vibration or immersion during transportation, storage and installation.

★ Cover of this product is made of organic materials. Do not expose it to any liquid, gas or solids which may corrode the shell.

★ Do not expose the product to rain or moisture.

Wipe the lens with a soft, dry cloth gently and use a mild detergent if necessary.

★ Do not use strong or corrosive detergents to avoid scratching the lens and affecting the image;

★ Any damage caused by dismantling the product by user without permission is not covered by warranty.

### 2. Electrical Safety

★ Installation and use of this product must strictly comply with local electrical safety standards.

★ Do not use a power adapter that exceeds the power specification, otherwise it will cause the device components to burn out and not work properly

★ When using the product, keep a sufficient distance from strong electrical equipment, and take protective measures such as lightning protection and surge protection when necessary.

★ Please turn off the power switch when the product is not in use, and unplug the power adapter from the power socket at the same time.

### 3. Install

★ Do not rotate the camera head violently, otherwise it may cause mechanical failure.

★ This product should be placed on a stable desktop or other horizontal surface. Do not install the product obliquely, otherwise it may display inclined image.

★ Ensure there are no obstacles within rotation range.

★ Do not power on before completely installation.

### 4. Magnetic Interference

Electromagnetic fields at specific frequencies may affect the video image. This product type is Class A, which may cause radio interference in household application, thus appropriate measure is required to avoid magnetic interference.

For a full user manual, FAQ & tech support, visit

[www.ipevo.com/products/](http://www.ipevo.com/products/)