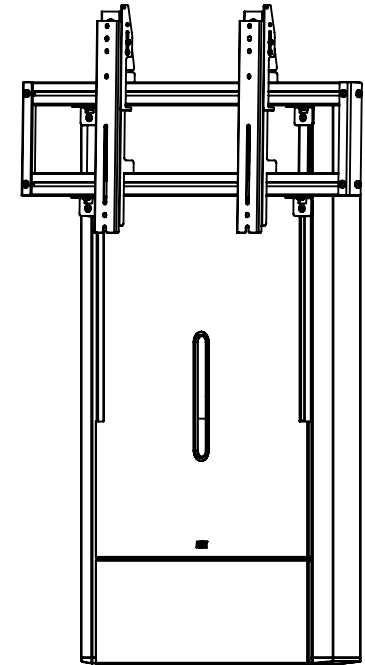
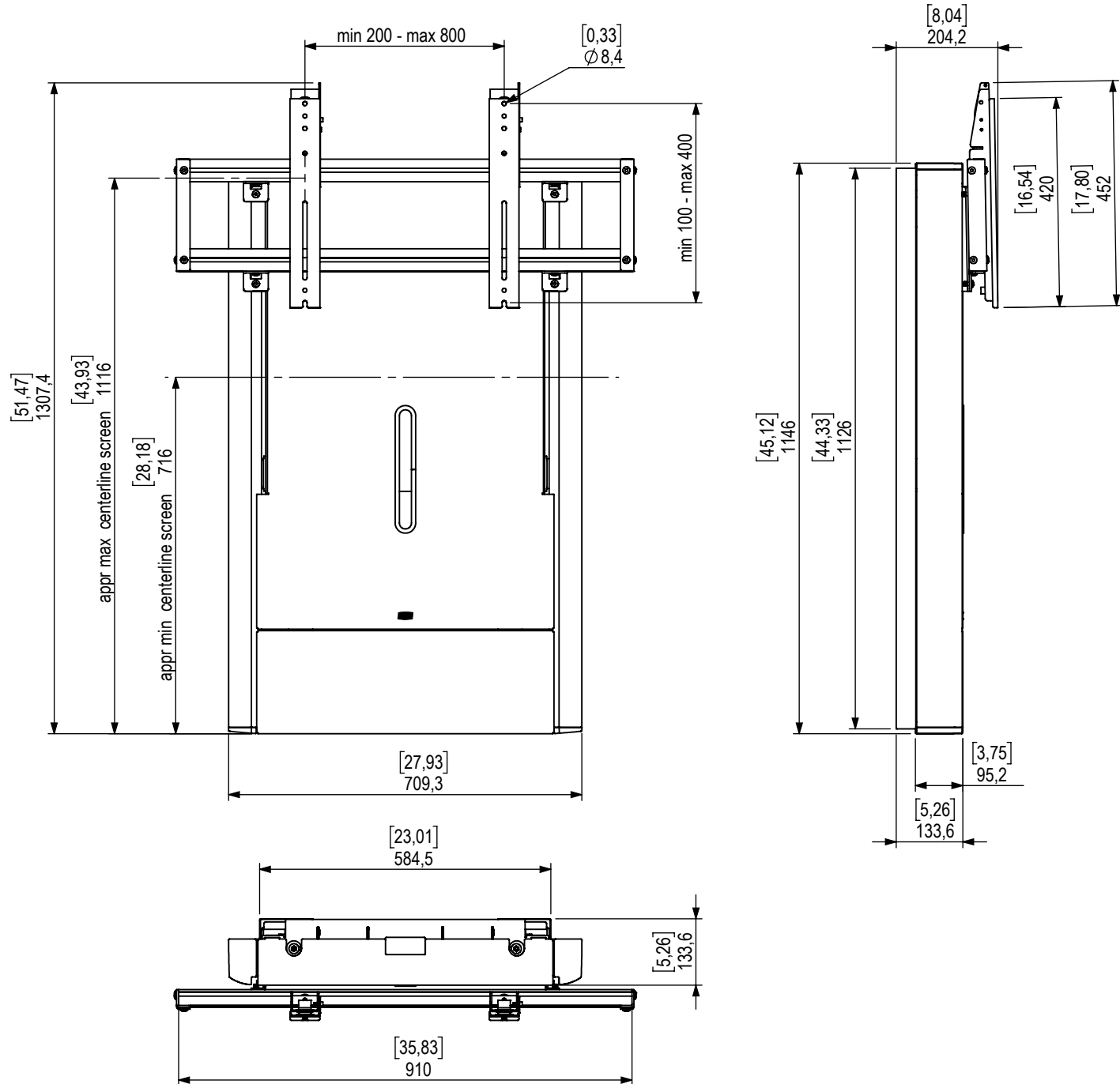


Technical drawing (mm/inch)
 K580-001-6 SMS Presence Wall Speed dimensions



Technical drawing (mm/inch)

K580-001-6 SMS Presence Wall Speed dimension - hole pattern in the wall

