

## Specifications

## Main unit

|                                                        |                                            |                                                                                                                                                                                          |                                                                                                                            |
|--------------------------------------------------------|--------------------------------------------|------------------------------------------------------------------------------------------------------------------------------------------------------------------------------------------|----------------------------------------------------------------------------------------------------------------------------|
| Power supply                                           |                                            | AC 100V-240V, 50Hz/60Hz                                                                                                                                                                  |                                                                                                                            |
| Power consumption <sup>1</sup>                         | Maximum power consumption                  |                                                                                                                                                                                          | 1140 W (11.5A-4.7A) (1150VA)<br>(The power consumption is 1090 W at 200-240V) <sup>2</sup>                                 |
|                                                        | On-mode power consumption (Operating mode) | [Normal]                                                                                                                                                                                 | 985 W (100-120V),<br>940 W (200-240V)                                                                                      |
|                                                        |                                            | [Eco]                                                                                                                                                                                    | 765 W (100-120V),<br>735 W (200-240V)                                                                                      |
|                                                        |                                            | [QUIET]                                                                                                                                                                                  | 760 W (100-120V),<br>730 W (200-240V)                                                                                      |
| Standby mode power consumption                         | [Normal]                                   | 12 W                                                                                                                                                                                     |                                                                                                                            |
|                                                        | [Eco]                                      | 0.5 W                                                                                                                                                                                    |                                                                                                                            |
| BTU value                                              |                                            | Max 3,890 BTU                                                                                                                                                                            |                                                                                                                            |
| DLP™ chip                                              | Size                                       |                                                                                                                                                                                          | [0.8 in] diagonal (16:10 aspect ratio)                                                                                     |
|                                                        | Display system                             |                                                                                                                                                                                          | DLP™ chip x 1                                                                                                              |
|                                                        | Number of pixels                           |                                                                                                                                                                                          | 2,304,000 pixels (1920 x 1200 dots)                                                                                        |
| Refresh rate                                           |                                            | 240 Hz Refresh rate varies depending on scanning frequency.                                                                                                                              |                                                                                                                            |
| Light source                                           |                                            | Laser diode                                                                                                                                                                              |                                                                                                                            |
| Light output <sup>1</sup>                              | Operation mode                             | [Normal]                                                                                                                                                                                 | 15,000 lm/15,500 lm (Center) <sup>3</sup>                                                                                  |
|                                                        |                                            | [Eco]                                                                                                                                                                                    | 12,000 lm                                                                                                                  |
|                                                        |                                            | [QUIET]                                                                                                                                                                                  | 12,000 lm                                                                                                                  |
| Time until light output declines to 50% <sup>4</sup>   | Operation mode                             | [Normal]                                                                                                                                                                                 | 20,000 hours                                                                                                               |
|                                                        |                                            | [Eco]                                                                                                                                                                                    | 24,000 hours                                                                                                               |
|                                                        |                                            | [QUIET]                                                                                                                                                                                  | 20,000 hours                                                                                                               |
| Resolution                                             |                                            | 4K (3840 x 2400 dots) (Quad Pixel Drive: ON)                                                                                                                                             |                                                                                                                            |
| Contrast ratio <sup>1</sup>                            |                                            | 25,000:1 (All White/All Black, Dynamic Contrast [3])                                                                                                                                     |                                                                                                                            |
| Screen size (diagonal)                                 |                                            | [70-1000 in] with standard lens (C1S600)                                                                                                                                                 |                                                                                                                            |
| Center to corner zone ratio <sup>1</sup>               |                                            | 90%                                                                                                                                                                                      |                                                                                                                            |
| Lens                                                   | PT-REQ15B                                  | Powered zoom/focus lenses (TR:1.36-2.10:1), F-number (1.84-2.31)                                                                                                                         |                                                                                                                            |
|                                                        | PT-REQ15LB                                 | Optional powered zoom/focus lenses                                                                                                                                                       |                                                                                                                            |
| Lens shift (From the origin point of the lens mounter) |                                            | Vertical                                                                                                                                                                                 | (Max) ±60% (with ET-C1W400, ET-C1W500, ET-C1S600, ET-C1T700) (powered)<br>(Max) ±50% (with ET-C1U100, ET-C1W300) (powered) |
|                                                        |                                            | Horizontal                                                                                                                                                                               | (Max) ±29% (with ET-C1W400, ET-C1W500, ET-C1S600, ET-C1T700) (powered)<br>(Max) ±23% (with ET-C1U100, ET-C1W300) (powered) |
| Installation                                           |                                            | Ceiling/floor, front/rear, free 360-degree installation                                                                                                                                  |                                                                                                                            |
| Compatible Signal                                      | HDMI™ signal input                         | Moving image signal resolution: 480/60p, 576/50p to 4096 x 2160/60p<br>Still image signal resolution: 640 x 480 to 3840 x 2400 (non-interlace)<br>Dot clock frequency: 25 MHz to 594 MHz |                                                                                                                            |
|                                                        | DisplayPort signal input                   | Moving image signal resolution: 720/60p to 4096 x 2160/60p<br>Still image signal resolution: 640 x 480 to 3840 x 2400 (non-interlace)<br>Dot clock frequency: 25 MHz to 594 MHz          |                                                                                                                            |
|                                                        | DIGITAL LINK <sup>5</sup> signal input     | Moving image signal resolution: 480/60p, 576/50p to 4096 x 2160/60p<br>Still image signal resolution: 640 x 480 to 3840 x 2400 (non-interlace)<br>Dot clock frequency: 25 MHz to 297 MHz |                                                                                                                            |
|                                                        | SDI <sup>6</sup> signal input              | HD-SDI signal<br>3G-SDI signal<br>12G-SDI signal                                                                                                                                         |                                                                                                                            |
| Terminals                                              | <HDMI™ 1 IN><br><HDMI™ 2 IN>               | HDMI™ x 2<br>Deep Color, compatible with HDCP2.3, 4K/60p signal <sup>7</sup>                                                                                                             |                                                                                                                            |
|                                                        | <DisplayPort IN>                           | DisplayPort x 1<br>Deep Color, compatible with HDCP 2.3, 4K/60p signal <sup>7</sup>                                                                                                      |                                                                                                                            |
|                                                        | <MULTI SYNC IN>                            | BNC x 1<br>TTL high impedance                                                                                                                                                            |                                                                                                                            |
|                                                        | <MULTI SYNC OUT>                           | BNC x 1<br>TTL output: Maximum 10 mA                                                                                                                                                     |                                                                                                                            |
|                                                        | <SERIAL IN>                                | D-sub 9-pin (female) x 1<br>for external control (RS-232C compliant)                                                                                                                     |                                                                                                                            |
|                                                        | <SERIAL OUT>                               | D-sub 9-pin (male) x 1<br>for link control (RS-232C compliant)                                                                                                                           |                                                                                                                            |
|                                                        | <REMOTE 1 IN>                              | M3 stereo mini-jack x 1<br>for wired remote control                                                                                                                                      |                                                                                                                            |
|                                                        | <REMOTE 1 OUT>                             | M3 stereo mini-jack x 1<br>for link control (for wired remote control)                                                                                                                   |                                                                                                                            |

|                                           |                       |                                                                                                            |
|-------------------------------------------|-----------------------|------------------------------------------------------------------------------------------------------------|
| Terminals                                 | <REMOTE 2 IN>         | D-sub 9-pin (female) x 1<br>for external control (parallel)                                                |
|                                           | <LAN>                 | RJ-45 x 1<br>for network connection, PJLink™ (class 2) compatible, 10Base-T/100Base-TX, Art-Net compatible |
|                                           | <USB>                 | USB connector (Type A) x 1<br>for optional AJ-WM50 Series Wireless Module/USB memory stick                 |
|                                           | <DC OUT>              | USB connector (Type A) x 1<br>for power supply, DC 5 V, total of 2 A                                       |
|                                           | <SLOT>                | SLOT x 1<br>Open slot, for function boards, Intel® SDM compatible                                          |
| Supported Internet Protocol version       |                       | IPv4, IPv6 <sup>8</sup>                                                                                    |
| Power cord length                         |                       | 3.0 m [118 1/8 in]                                                                                         |
| Cabinet materials                         |                       | Molded plastic                                                                                             |
| Dimension                                 | Width                 | 498 mm [19 5/8 in] (excluding protrusions)                                                                 |
|                                           | Height                | 212 mm [8 3/8 in] (with the feet at shortest position)                                                     |
|                                           |                       | 196 mm [7 11/16 in] (excluding feet)                                                                       |
|                                           | Depth                 | PT-REQ15B                                                                                                  |
| PT-REQ15LB                                |                       | 538 mm [21-3/16 in] (excluding protrusions)                                                                |
| Weight <sup>9</sup>                       | PT-REQ15B             | Approx. 28.7 kg (63.3 lbs.) (including standard zoom lens)                                                 |
|                                           | PT-REQ15LB            | Approx. 27.0 kg (59.5 lbs.) (excluding the optional lens)                                                  |
| Operating noise <sup>1</sup>              | [Normal]              | 42 dB                                                                                                      |
|                                           | [Eco]                 | 42 dB                                                                                                      |
|                                           | [QUIET]               | 38 dB                                                                                                      |
| Laser Classification                      | Laser Class           | Class 1 (IEC/EN 60825-1:2014)                                                                              |
|                                           | Risk Group            | Risk Group 3 (IEC 62471-5:2015)                                                                            |
| Operating environment                     | Operating temperature | 0-45 °C (32-113 °F) <sup>10</sup>                                                                          |
|                                           | Operating humidity    | 10-80% (no condensation)                                                                                   |
| IP rating (dust protection) <sup>11</sup> |                       | IP5X (only the optical engine and light source module)                                                     |

### Remote control unit

|                 |                                                                                |                     |
|-----------------|--------------------------------------------------------------------------------|---------------------|
| Power supply    | 3V DC (AAA/R03/LR03 battery x 2)                                               |                     |
| Operation range | Approx. 30 m [98 ft 5 in] (when operated directly in front of signal receiver) |                     |
| Dimensions      | Width                                                                          | 48 mm [1 7/8 in]    |
|                 | Height                                                                         | 145 mm [5 23/32 in] |
|                 | Depth                                                                          | 27 mm [1 1/16 in]   |
| Weight          | Approx. 102 g (3.60 ozs.) including batteries                                  |                     |

### Supplied accessories

Power cord (x 1) (x 2 for Europe / ASIA models)  
 Wireless/wired remote control unit (x 1)  
 Batteries for remote control (AAA/R03 or AAA/LR03 battery x 2)  
 SLOT adapter (x 1)

### Other Applications

Multi Monitoring Control Software (for Windows)  
 Geometry Manager Pro (for Windows)  
 Smart Projector Control (for iOS/Android™)  
 Projector Network Setup Software (for Windows)

### Supported services of Control via LAN

Art-net  
 PJLink™ (class 2)  
 Crestron Connected™ V2  
 Crestron XiO Cloud™  
 AMX Device Discovery

## Optional accessories

|                                                   |                                             |                                                                                                                                                                               |
|---------------------------------------------------|---------------------------------------------|-------------------------------------------------------------------------------------------------------------------------------------------------------------------------------|
| Lens                                              | Zoom lens                                   | ET-C1U100 (0.308-0.330:1)                                                                                                                                                     |
|                                                   |                                             | ET-C1U200 (0.380:1) TBD *Available from CY2025 Q2                                                                                                                             |
|                                                   |                                             | ET-C1W300 (0.550-0.690:1)                                                                                                                                                     |
|                                                   |                                             | ET-C1W400 (0.680-0.950:1)                                                                                                                                                     |
|                                                   |                                             | ET-C1W500 (0.940-1.39:1)                                                                                                                                                      |
|                                                   |                                             | ET-C1S600 (1.36-2.10:1)<br>Note: This product is equivalent to the lens attached to the projector model with standard zoom lens.                                              |
|                                                   |                                             | ET-C1T700 (2.07-3.38:1)                                                                                                                                                       |
|                                                   |                                             | ET-C1T800 (3.3-6.6:1) TBD *Available from CY2025 Q2                                                                                                                           |
| Ceiling Mount Bracket                             | with 6-axis adjustment for high ceilings    | ET-PKD130H                                                                                                                                                                    |
|                                                   | for high ceilings                           | ET-PKD120H                                                                                                                                                                    |
|                                                   | for low ceilings                            | ET-PKD120S                                                                                                                                                                    |
| Attachment for Ceiling Mount Bracket              |                                             | ET-PKD130B                                                                                                                                                                    |
| Function Board                                    | 12G-SDI Terminal Board                      | TY-SB01QS                                                                                                                                                                     |
|                                                   | 12G-SDI Optical Function Board              | TY-SB01FB                                                                                                                                                                     |
|                                                   | DIGITAL LINK Terminal Board                 | TY-SB01DL                                                                                                                                                                     |
|                                                   | Wireless Presentation System Receiver Board | TY-SB01WP                                                                                                                                                                     |
| DIGITAL LINK Switcher                             |                                             | ET-YFB200G                                                                                                                                                                    |
| Digital Interface Box                             |                                             | ET-YFB100G                                                                                                                                                                    |
| Wireless module                                   |                                             | AJ-WM50 Series<br>Note: Product availability may vary by country or region. The suffix at the end of the model number is omitted. Operating Temperature: 0–40 °C (32–104 °F). |
| NFC Upgrade Kit                                   |                                             | ET-NUK10<br>Note: Product availability may vary by country or region.                                                                                                         |
| Geometry Manager Pro Upgrade kit (preactivated)   |                                             | ET-UK20                                                                                                                                                                       |
| Auto Screen Adjustment Upgrade kit (preactivated) |                                             | ET-CUK10/CUK10P                                                                                                                                                               |
| Wireless Presentation System PressIT              |                                             | TY-WPS1 (basic set)                                                                                                                                                           |
| Media Processors                                  | Box-type                                    | ET-FMP50/ET-FMP20 *Available from CY2024 Q2.                                                                                                                                  |
|                                                   | Function board-type                         | ET-SBFMP10<br>*ET-SBFMP10 is estimated for release in CY2024 Q4. Compatible with Intel® SDM standard SLOT.                                                                    |

Weights and dimensions shown are approximate. Specifications subject to change without notice.

1 Measurement, measuring conditions, and method of notation all comply with ISO/IEC 21118:2020 international standards.

2 This value has included a maximum power consumption of 80W when using the function board.

3 Average light output value of all shipped products measured at center of screen in [NORMAL] Mode.

4 Around this time, light output will have decreased by approximately 50%. IEC62087: 2008 Broadcast contents, Dynamic Contrast [3], under conditions with 35°C (95°F), 700m (2297ft) above sea level, and 0.15 mg/m<sup>3</sup> of particulate matter. Estimated time until light output declines to 50% varies depending on environment.

5 Requires TY-SB01DL Interface Board for DIGITAL LINK.

6 Requires TY-SB01QS or TY-SB01FB Interface Board for 12G-SDI Input.

7 4K/60p signals are converted to the projector's resolution upon projection.

8 Optional wireless module AJ-WM50 only supports IPv4.

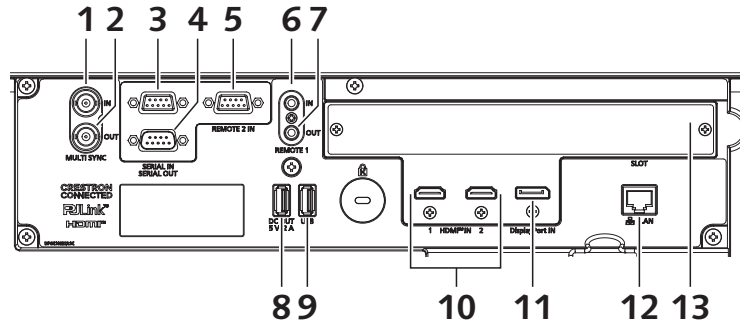
9 Average value. May differ depending on the actual unit.

10 When using the projector at an altitude lower than 2700m (8858ft) above sea level, and the operating environment temperature becomes 30°C (86°F) or higher, the light output may be reduced to protect the projector.

When using the projector at an altitude between 2700m (8858ft) and 4200m (13780ft), and the operating environment temperature becomes 25°C (77°F) or higher, the light output may be reduced to protect the projector.

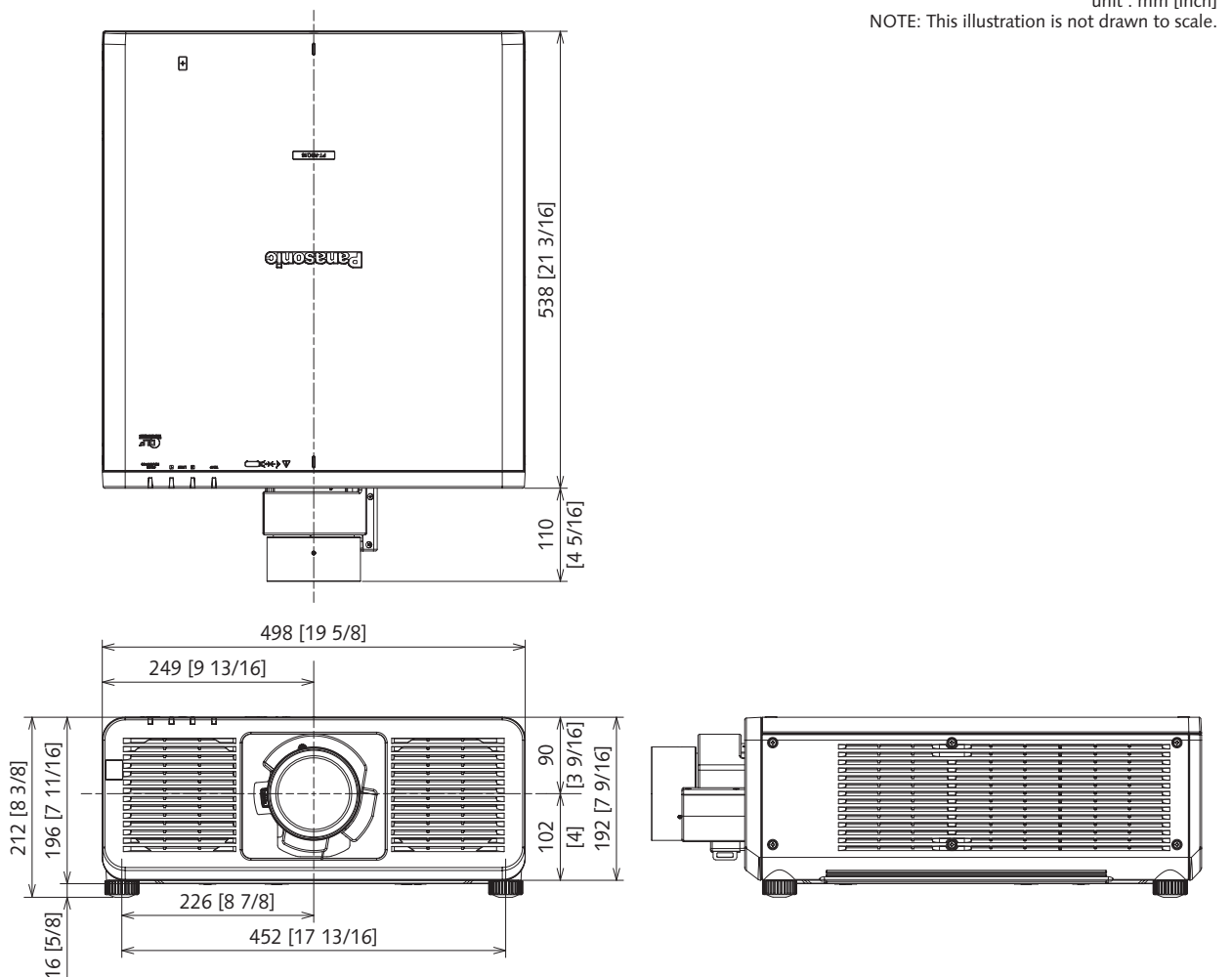
11 The measurement method and measurement conditions are based on IEC standard 60529 IP5X (dustproof type). The dustproof performance of this unit is not guaranteed to be free from damage or failure under all conditions (environment with conductive dust, etc.).

Terminals



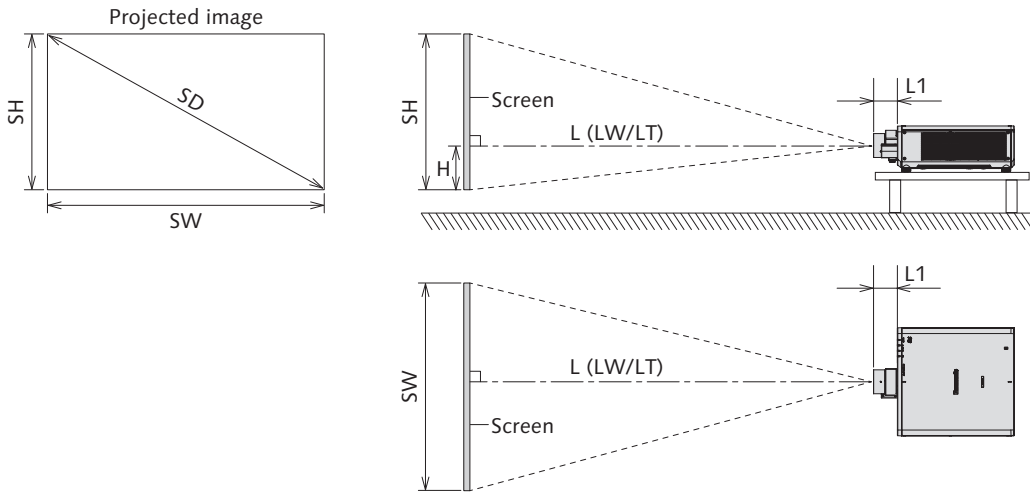
|   |                |    |                         |
|---|----------------|----|-------------------------|
| 1 | MULTI SYNC IN  | 8  | DC OUT                  |
| 2 | MULTI SYNC OUT | 9  | USB                     |
| 3 | SERIAL IN      | 10 | HDMI™ 1 IN / HDMI™ 2 IN |
| 4 | SERIAL OUT     | 11 | DisplayPort IN          |
| 5 | REMOTE 2 IN    | 12 | LAN                     |
| 6 | REMOTE 1 IN    | 13 | SLOT                    |
| 7 | REMOTE 1 OUT   |    |                         |

Dimensions



**Projected image and throw distance**

Install the projector referring to the projected image size and projection distance. Image size and image position can be adjusted in accordance with the screen size and screen position.



**Note**

- This illustration is prepared on the assumption that the projected image size and position have been aligned to fit full in the screen.
- This illustration is not drawn to scale.
- The values are approximate.

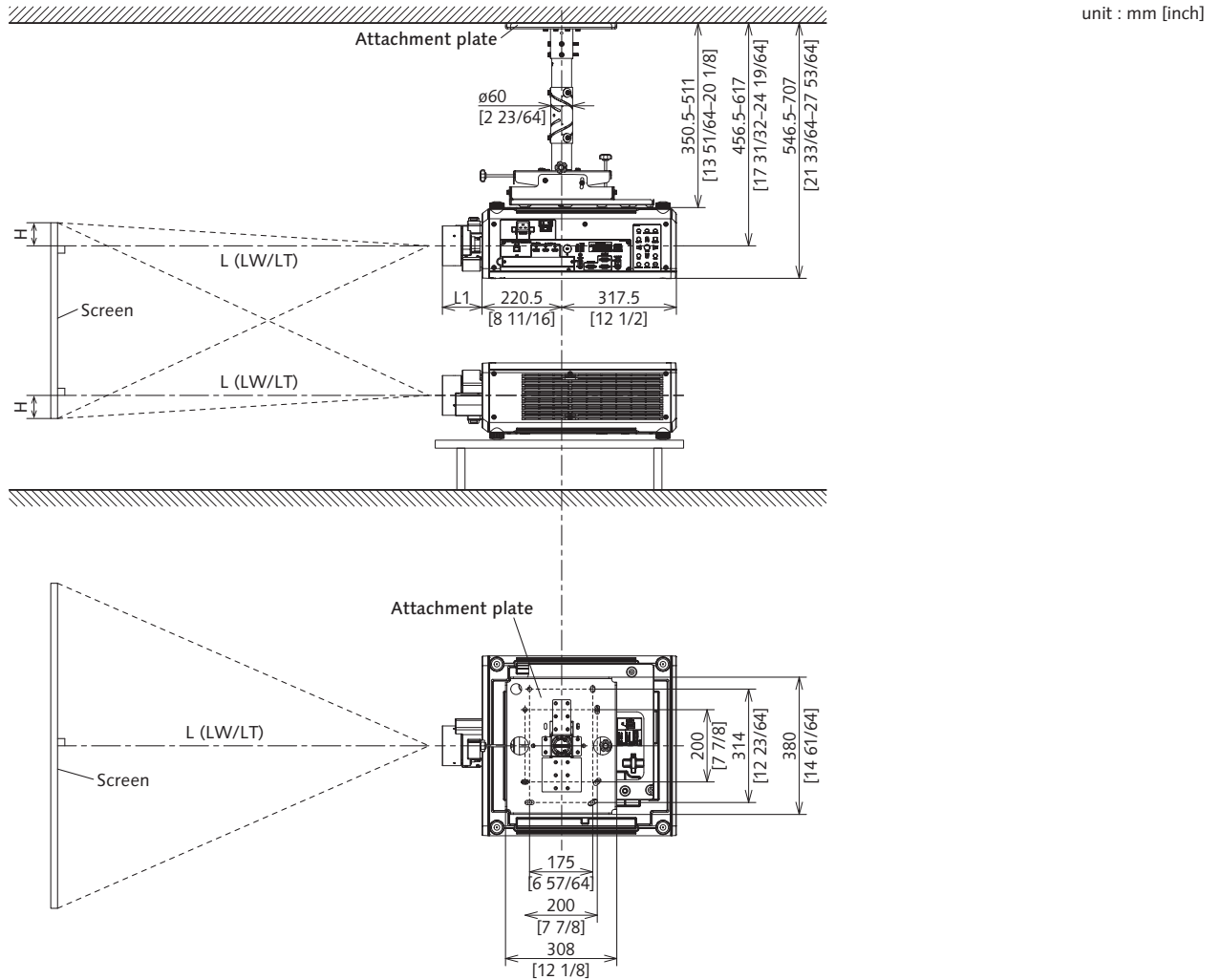
|    |                                                                                                                         |
|----|-------------------------------------------------------------------------------------------------------------------------|
| SH | Projected image height                                                                                                  |
| SW | Projected image width                                                                                                   |
| SD | Projected image size                                                                                                    |
| H  | Distance from the lens center to the bottom edge of the projected image                                                 |
| L  | Projection distance<br>(distance from the front end of the projection lens to the screen)                               |
|    | LW Minimum projection distance when the Zoom Lens is used                                                               |
|    | LT Maximum projection distance when the Zoom Lens is used                                                               |
| L1 | Lens protrusion dimension<br>(distance from the front surface of the projector to the front end of the projection lens) |

unit : m

| Projection lens Model No. | Lens protrusion dimension (L1) (approximate value) |
|---------------------------|----------------------------------------------------|
| ET-C1U100                 | 0.384                                              |
| ET-C1W300                 | 0.155                                              |
| ET-C1W400                 | 0.149                                              |
| ET-C1W500                 | 0.144                                              |
| ET-C1S600                 | 0.110                                              |
| ET-C1T700                 | 0.160                                              |

**Standard setting position**

Illustrations show the projector installed using optional ceiling mountbracket ET-PKD130H, optional bracket assembly ET-PKD130B.



**Caution**

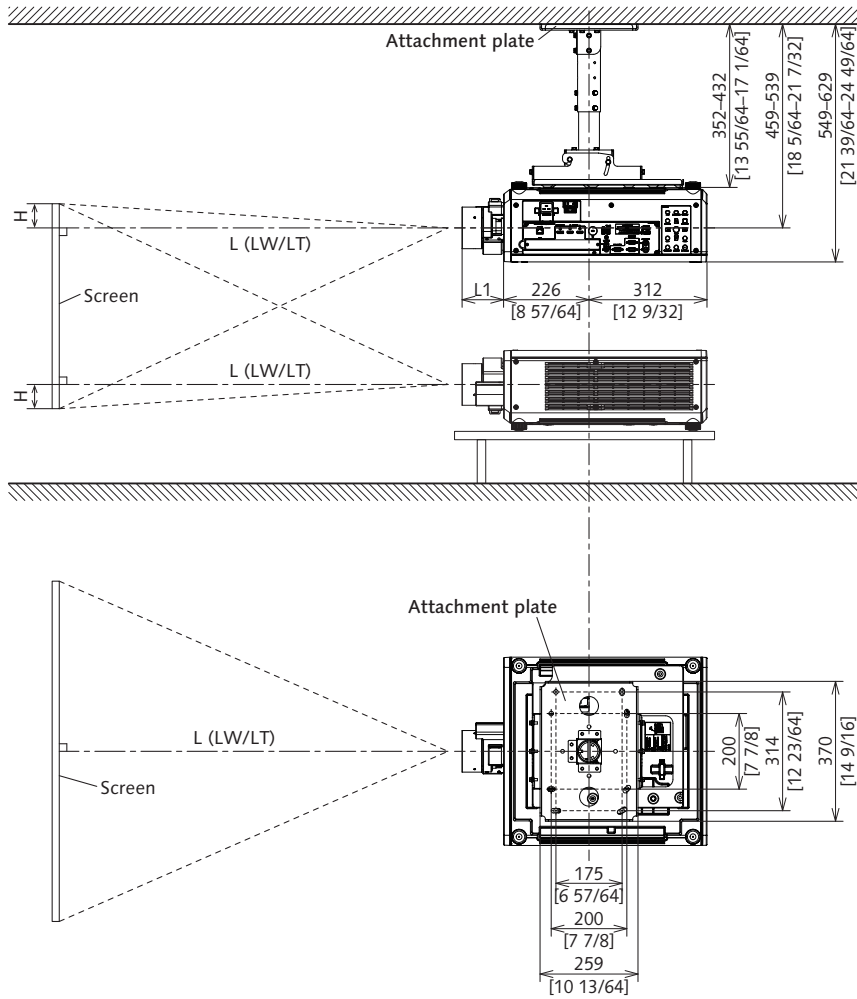
- All construction work should be done by a qualified technician.
- When mounting to the ceiling, use the special mounting bracket. Furthermore, in order to prevent it from falling down from the ceiling, use the supplied wire on the mounting bracket.

**Note**

- This illustration is prepared on the assumption that the projected image size and position have been aligned to fit full in the screen.
- This illustration is not drawn to scale.
- The values are approximate.

Illustrations show the projector installed using optional ceiling mountbracket ET-PKD120H, optional bracket assembly ET-PKD130B.

unit : mm [inch]



**Caution**

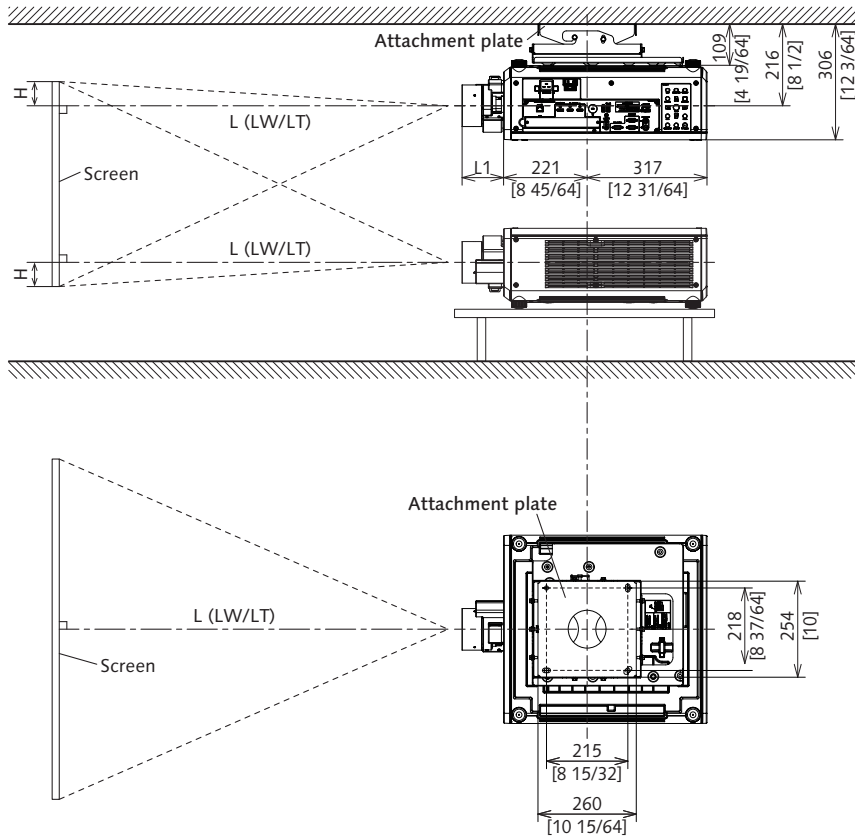
- All construction work should be done by a qualified technician.
- When mounting to the ceiling, use the special mounting bracket. Furthermore, in order to prevent it from falling down from the ceiling, use the supplied wire on the mounting bracket.

**Note**

- This illustration is prepared on the assumption that the projected image size and position have been aligned to fit full in the screen.
- This illustration is not drawn to scale.
- The values are approximate.

Illustrations show the projector installed using optional ceiling mountbracket ET-PKD120S, optional bracket assembly ET-PKD130B.

unit : mm [inch]



**Caution**

- All construction work should be done by a qualified technician.
- When mounting to the ceiling, use the special mounting bracket. Furthermore, in order to prevent it from falling down from the ceiling, use the supplied wire on the mounting bracket.

**Note**

- This illustration is prepared on the assumption that the projected image size and position have been aligned to fit full in the screen.
- This illustration is not drawn to scale.
- The values are approximate.



**Projection distance**

A ±5% error in listed projection distances may occur.

When [SCREEN ADJUSTMENT] is used, distance is corrected to become smaller than the specified image size.

Screen aspect ratio 16:10

Unit: meters

| Projection lens Model No. |        |             | ET-C1U100 <sup>2</sup>  | ET-C1W300       | ET-C1W400       | ET-C1W500      | Standard zoom lens/<br>ET-C1S600 | ET-C1T700     |           |           |           |           |           |           |           |
|---------------------------|--------|-------------|-------------------------|-----------------|-----------------|----------------|----------------------------------|---------------|-----------|-----------|-----------|-----------|-----------|-----------|-----------|
| Throw ratio <sup>1</sup>  |        |             | 0.308 - 0.330:1         | 0.550 - 0.690:1 | 0.680 - 0.950:1 | 0.940 - 1.39:1 | 1.36 - 2.10:1                    | 2.07 - 3.38:1 |           |           |           |           |           |           |           |
| Projected image size      |        |             | Projection distance (L) |                 |                 |                |                                  |               |           |           |           |           |           |           |           |
| Diagonal (SD)             |        | Height (SH) | Width (SW)              | Min. (LW)       | Max. (LT)       | Min. (LW)      | Max. (LT)                        | Min. (LW)     | Max. (LT) | Min. (LW) | Max. (LT) | Min. (LW) | Max. (LT) | Min. (LW) | Max. (LT) |
| m                         | inches |             |                         |                 |                 |                |                                  |               |           |           |           |           |           |           |           |
| 1.778                     | 70     | 0.942       | 1.508                   | -               | -               | 0.82           | 1.03                             | 1.01          | 1.42      | 1.41      | 2.08      | 2.03      | 3.15      | 3.09      | 5.07      |
| 2.032                     | 80     | 1.077       | 1.723                   | -               | -               | 0.94           | 1.18                             | 1.16          | 1.63      | 1.61      | 2.39      | 2.33      | 3.61      | 3.55      | 5.81      |
| 2.286                     | 90     | 1.212       | 1.939                   | -               | -               | 1.06           | 1.33                             | 1.31          | 1.84      | 1.82      | 2.69      | 2.63      | 4.06      | 4.00      | 6.54      |
| 2.540                     | 100    | 1.346       | 2.154                   | 0.65            | 0.70            | 1.18           | 1.49                             | 1.46          | 2.05      | 2.03      | 2.99      | 2.93      | 4.52      | 4.46      | 7.28      |
| 3.048                     | 120    | 1.615       | 2.585                   | 0.79            | 0.85            | 1.43           | 1.79                             | 1.76          | 2.46      | 2.44      | 3.60      | 3.53      | 5.44      | 5.37      | 8.75      |
| 3.810                     | 150    | 2.019       | 3.231                   | 0.99            | 1.07            | 1.79           | 2.25                             | 2.21          | 3.09      | 3.06      | 4.51      | 4.43      | 6.82      | 6.73      | 10.96     |
| 5.080                     | 200    | 2.692       | 4.308                   | 1.34            | 1.44            | 2.40           | 3.01                             | 2.96          | 4.13      | 4.09      | 6.03      | 5.93      | 9.11      | 9.01      | 14.64     |
| 6.350                     | 250    | 3.365       | 5.385                   | 1.68            | 1.80            | 3.01           | 3.77                             | 3.71          | 5.18      | 5.12      | 7.55      | 7.43      | 11.40     | 11.28     | 18.32     |
| 7.620                     | 300    | 4.039       | 6.462                   | 2.02            | 2.17            | 3.62           | 4.53                             | 4.46          | 6.22      | 6.15      | 9.07      | 8.92      | 13.70     | 13.56     | 22.00     |
| 8.890                     | 350    | 4.712       | 7.539                   | 2.37            | 2.54            | 4.22           | 5.29                             | 5.22          | 7.26      | 7.18      | 10.59     | 10.42     | 15.99     | 15.83     | 25.68     |
| 10.160                    | 400    | 5.385       | 8.616                   | 2.71            | 2.91            | 4.83           | 6.06                             | 5.97          | 8.30      | 8.21      | 12.10     | 11.92     | 18.28     | 18.11     | 29.37     |
| 12.700                    | 500    | 6.731       | 10.770                  | 3.39            | 3.64            | 6.05           | 7.58                             | 7.47          | 10.39     | 10.27     | 15.14     | 14.92     | 22.87     | 22.66     | 36.73     |
| 15.240                    | 600    | 8.077       | 12.923                  | 4.08            | 4.38            | 7.26           | 9.10                             | 8.97          | 12.48     | 12.33     | 18.18     | 17.92     | 27.46     | 27.21     | 44.09     |
| 17.780                    | 700    | 9.423       | 15.077                  | 4.77            | 5.11            | 8.48           | 10.63                            | 10.47         | 14.56     | 14.39     | 21.22     | 20.91     | 32.04     | 31.76     | 51.45     |
| 20.320                    | 800    | 10.770      | 17.231                  | 5.45            | 5.85            | 9.70           | 12.15                            | 11.97         | 16.65     | 16.45     | 24.25     | 23.91     | 36.63     | 36.31     | 58.81     |
| 22.860                    | 900    | 12.116      | 19.385                  | 6.14            | 6.58            | 10.91          | 13.67                            | 13.48         | 18.73     | 18.51     | 27.29     | 26.91     | 41.22     | 40.86     | 66.18     |
| 25.400                    | 1000   | 13.462      | 21.539                  | 6.82            | 7.32            | 12.13          | 15.20                            | 14.98         | 20.82     | 20.57     | 30.33     | 29.90     | 45.80     | 45.41     | 73.54     |

| Projection lens Model No. |        |             | ET-C1W400<br>ET-C1W500<br>ET-C1S600<br>ET-C1T700 | ET-C1W300     | ET-C1U100    |              |
|---------------------------|--------|-------------|--------------------------------------------------|---------------|--------------|--------------|
| Throw ratio <sup>1</sup>  |        |             |                                                  |               |              |              |
| Projected image size      |        |             | Height position (H)                              |               |              |              |
| Diagonal (SD)             |        | Height (SH) | Width (SW)                                       |               |              |              |
| m                         | inches |             |                                                  |               |              |              |
| 1.778                     | 70     | 0.942       | 1.508                                            | -0.09 - 1.04  | 0.00 - 0.94  | -            |
| 2.032                     | 80     | 1.077       | 1.723                                            | -0.11 - 1.19  | 0.00 - 1.08  | -            |
| 2.286                     | 90     | 1.212       | 1.939                                            | -0.12 - 1.33  | 0.00 - 1.21  | -            |
| 2.540                     | 100    | 1.346       | 2.154                                            | -0.14 - 1.48  | 0.00 - 1.35  | 0.00 - 1.35  |
| 3.048                     | 120    | 1.615       | 2.585                                            | -0.16 - 1.78  | 0.00 - 1.62  | 0.00 - 1.62  |
| 3.810                     | 150    | 2.019       | 3.231                                            | -0.20 - 2.22  | 0.00 - 2.02  | 0.00 - 2.02  |
| 5.080                     | 200    | 2.692       | 4.308                                            | -0.27 - 2.96  | 0.00 - 2.69  | 0.00 - 2.69  |
| 6.350                     | 250    | 3.365       | 5.385                                            | -0.34 - 3.70  | 0.00 - 3.37  | 0.00 - 3.37  |
| 7.620                     | 300    | 4.039       | 6.462                                            | -0.40 - 4.44  | 0.00 - 4.04  | 0.00 - 4.04  |
| 8.890                     | 350    | 4.712       | 7.539                                            | -0.47 - 5.18  | 0.00 - 4.71  | 0.00 - 4.71  |
| 10.160                    | 400    | 5.385       | 8.616                                            | -0.54 - 5.92  | 0.00 - 5.39  | 0.00 - 5.39  |
| 12.700                    | 500    | 6.731       | 10.770                                           | -0.67 - 7.40  | 0.00 - 6.73  | 0.00 - 6.73  |
| 15.240                    | 600    | 8.077       | 12.923                                           | -0.81 - 8.89  | 0.00 - 8.08  | 0.00 - 8.08  |
| 17.780                    | 700    | 9.423       | 15.077                                           | -0.94 - 10.37 | 0.00 - 9.42  | 0.00 - 9.42  |
| 20.320                    | 800    | 10.770      | 17.231                                           | -1.08 - 11.85 | 0.00 - 10.77 | 0.00 - 10.77 |
| 22.860                    | 900    | 12.116      | 19.385                                           | -1.21 - 13.33 | 0.00 - 12.12 | 0.00 - 12.12 |
| 25.400                    | 1000   | 13.462      | 21.539                                           | -1.35 - 14.81 | 0.00 - 13.46 | 0.00 - 13.46 |

1 The throw ratio is based on the value during projection with the projected image size of 2.54 m [100 in].

However, the throw ratio for ET-C1U100 is based on the value during projection with the projected image size of 3.81 m [150 in].

2 For ET-C1U100, fine text and images may not be displayed clearly during projection with the projected image size over 15.24 m [600 in].

Screen aspect ratio 16:10

Unit: feet

| Projection lens Model No. |        | ET-C1U100 <sup>2</sup> |            | ET-C1W300               |           | ET-C1W400       |           | ET-C1W500      |           | Standard zoom lens/<br>ET-C1S600 |           | ET-C1T700     |           |           |           |
|---------------------------|--------|------------------------|------------|-------------------------|-----------|-----------------|-----------|----------------|-----------|----------------------------------|-----------|---------------|-----------|-----------|-----------|
| Throw ratio <sup>1</sup>  |        | 0.308 - 0.330:1        |            | 0.550 - 0.690:1         |           | 0.680 - 0.950:1 |           | 0.940 - 1.39:1 |           | 1.36 - 2.10:1                    |           | 2.07 - 3.38:1 |           |           |           |
| Projected image size      |        |                        |            | Projection distance (L) |           |                 |           |                |           |                                  |           |               |           |           |           |
| Diagonal (SD)             |        | Height (SH)            | Width (SW) | Min. (LW)               | Max. (LT) | Min. (LW)       | Max. (LT) | Min. (LW)      | Max. (LT) | Min. (LW)                        | Max. (LT) | Min. (LW)     | Max. (LT) | Min. (LW) | Max. (LT) |
| m                         | inches |                        |            |                         |           |                 |           |                |           |                                  |           |               |           |           |           |
| 1.778                     | 70     | 3.09                   | 4.95       | -                       | -         | 2.69            | 3.38      | 3.31           | 4.66      | 4.63                             | 6.82      | 6.66          | 10.34     | 10.14     | 16.63     |
| 2.032                     | 80     | 3.53                   | 5.65       | -                       | -         | 3.08            | 3.87      | 3.81           | 5.35      | 5.28                             | 7.84      | 7.64          | 11.84     | 11.65     | 19.06     |
| 2.286                     | 90     | 3.98                   | 6.36       | -                       | -         | 3.48            | 4.36      | 4.30           | 6.04      | 5.97                             | 8.83      | 8.63          | 13.32     | 13.12     | 21.46     |
| 2.540                     | 100    | 4.42                   | 7.07       | 2.13                    | 2.30      | 3.87            | 4.89      | 4.79           | 6.73      | 6.66                             | 9.81      | 9.61          | 14.83     | 14.63     | 23.89     |
| 3.048                     | 120    | 5.30                   | 8.48       | 2.59                    | 2.79      | 4.69            | 5.87      | 5.77           | 8.07      | 8.01                             | 11.81     | 11.58         | 17.85     | 17.62     | 28.71     |
| 3.810                     | 150    | 6.62                   | 10.60      | 3.25                    | 3.51      | 5.87            | 7.38      | 7.25           | 10.14     | 10.04                            | 14.80     | 14.53         | 22.38     | 22.08     | 35.96     |
| 5.080                     | 200    | 8.83                   | 14.13      | 4.40                    | 4.72      | 7.87            | 9.88      | 9.71           | 13.55     | 13.42                            | 19.78     | 19.46         | 29.89     | 29.56     | 48.03     |
| 6.350                     | 250    | 11.04                  | 17.67      | 5.51                    | 5.91      | 9.88            | 12.37     | 12.17          | 17.00     | 16.80                            | 24.77     | 24.38         | 37.40     | 37.01     | 60.11     |
| 7.620                     | 300    | 13.25                  | 21.20      | 6.63                    | 7.12      | 11.88           | 14.86     | 14.63          | 20.41     | 20.18                            | 29.76     | 29.27         | 44.95     | 44.49     | 72.18     |
| 8.890                     | 350    | 15.46                  | 24.73      | 7.78                    | 8.33      | 13.85           | 17.36     | 17.13          | 23.82     | 23.56                            | 34.74     | 34.19         | 52.46     | 51.94     | 84.25     |
| 10.160                    | 400    | 17.67                  | 28.27      | 8.89                    | 9.55      | 15.85           | 19.88     | 19.59          | 27.23     | 26.94                            | 39.70     | 39.11         | 59.97     | 59.42     | 96.36     |
| 12.700                    | 500    | 22.08                  | 35.34      | 11.12                   | 11.94     | 19.85           | 24.87     | 24.51          | 34.09     | 33.69                            | 49.67     | 48.95         | 75.03     | 74.34     | 120.51    |
| 15.240                    | 600    | 26.50                  | 42.40      | 13.39                   | 14.37     | 23.82           | 29.86     | 29.43          | 40.95     | 40.45                            | 59.65     | 58.79         | 90.09     | 89.27     | 144.65    |
| 17.780                    | 700    | 30.92                  | 49.47      | 15.65                   | 16.77     | 27.82           | 34.88     | 34.35          | 47.77     | 47.21                            | 69.62     | 68.60         | 105.12    | 104.20    | 168.80    |
| 20.320                    | 800    | 35.34                  | 56.53      | 17.88                   | 19.19     | 31.82           | 39.86     | 39.27          | 54.63     | 53.97                            | 79.56     | 78.45         | 120.18    | 119.13    | 192.95    |
| 22.860                    | 900    | 39.75                  | 63.60      | 20.14                   | 21.59     | 35.79           | 44.85     | 44.23          | 61.45     | 60.73                            | 89.53     | 88.29         | 135.24    | 134.06    | 217.13    |
| 25.400                    | 1000   | 44.17                  | 70.67      | 22.38                   | 24.02     | 39.80           | 49.87     | 49.15          | 68.31     | 67.49                            | 99.51     | 98.10         | 150.26    | 148.98    | 241.27    |

| Projection lens Model No. |        | ET-C1W400<br>ET-C1W500<br>ET-C1S600<br>ET-C1T700 |            | ET-C1W300           |              | ET-C1U100    |  |
|---------------------------|--------|--------------------------------------------------|------------|---------------------|--------------|--------------|--|
| Throw ratio <sup>1</sup>  |        |                                                  |            |                     |              |              |  |
| Projected image size      |        |                                                  |            | Height position (H) |              |              |  |
| Diagonal (SD)             |        | Height (SH)                                      | Width (SW) |                     |              |              |  |
| m                         | inches |                                                  |            |                     |              |              |  |
| 1.778                     | 70     | 3.09                                             | 4.95       | -0.30 - 3.41        | 0.00 - 3.08  | -            |  |
| 2.032                     | 80     | 3.53                                             | 5.65       | -0.36 - 3.90        | 0.00 - 3.54  | -            |  |
| 2.286                     | 90     | 3.98                                             | 6.36       | -0.39 - 4.36        | 0.00 - 3.97  | -            |  |
| 2.540                     | 100    | 4.42                                             | 7.07       | -0.46 - 4.86        | 0.00 - 4.43  | 0.00 - 4.43  |  |
| 3.048                     | 120    | 5.30                                             | 8.48       | -0.53 - 5.84        | 0.00 - 5.32  | 0.00 - 5.32  |  |
| 3.810                     | 150    | 6.62                                             | 10.60      | -0.66 - 7.28        | 0.00 - 6.63  | 0.00 - 6.63  |  |
| 5.080                     | 200    | 8.83                                             | 14.13      | -0.89 - 9.71        | 0.00 - 8.83  | 0.00 - 8.83  |  |
| 6.350                     | 250    | 11.04                                            | 17.67      | -1.12 - 12.14       | 0.00 - 11.06 | 0.00 - 11.06 |  |
| 7.620                     | 300    | 13.25                                            | 21.20      | -1.31 - 14.57       | 0.00 - 13.26 | 0.00 - 13.26 |  |
| 8.890                     | 350    | 15.46                                            | 24.73      | -1.54 - 17.00       | 0.00 - 15.45 | 0.00 - 15.45 |  |
| 10.160                    | 400    | 17.67                                            | 28.27      | -1.77 - 19.42       | 0.00 - 17.68 | 0.00 - 17.68 |  |
| 12.700                    | 500    | 22.08                                            | 35.34      | -2.20 - 24.28       | 0.00 - 22.08 | 0.00 - 22.08 |  |
| 15.240                    | 600    | 26.50                                            | 42.40      | -2.66 - 29.17       | 0.00 - 26.51 | 0.00 - 26.51 |  |
| 17.780                    | 700    | 30.92                                            | 49.47      | -3.08 - 34.02       | 0.00 - 30.91 | 0.00 - 30.91 |  |
| 20.320                    | 800    | 35.34                                            | 56.53      | -3.54 - 38.88       | 0.00 - 35.34 | 0.00 - 35.34 |  |
| 22.860                    | 900    | 39.75                                            | 63.60      | -3.97 - 43.73       | 0.00 - 39.76 | 0.00 - 39.76 |  |
| 25.400                    | 1000   | 44.17                                            | 70.67      | -4.43 - 48.59       | 0.00 - 44.16 | 0.00 - 44.16 |  |

1 The throw ratio is based on the value during projection with the projected image size of 2.54 m [100 in].

However, the throw ratio for ET-C1U100 is based on the value during projection with the projected image size of 3.81 m [150 in].

2 For ET-C1U100, fine text and images may not be displayed clearly during projection with the projected image size over 15.24 m [600 in].

Screen aspect ratio 16:9

Unit: meters

| Projection lens Model No. |        | ET-C1U100 <sup>2</sup> | ET-C1W300       | ET-C1W400               | ET-C1W500      | Standard zoom lens/<br>ET-C1S600 |           | ET-C1T700     |           |           |           |           |           |           |           |
|---------------------------|--------|------------------------|-----------------|-------------------------|----------------|----------------------------------|-----------|---------------|-----------|-----------|-----------|-----------|-----------|-----------|-----------|
| Throw ratio <sup>1</sup>  |        | 0.308 - 0.331:1        | 0.550 - 0.690:1 | 0.680 - 0.950:1         | 0.940 - 1.39:1 | 1.36 - 2.10:1                    |           | 2.07 - 3.38:1 |           |           |           |           |           |           |           |
| Projected image size      |        |                        |                 | Projection distance (L) |                |                                  |           |               |           |           |           |           |           |           |           |
| Diagonal (SD)             |        | Height (SH)            | Width (SW)      | Min. (LW)               | Max. (LT)      | Min. (LW)                        | Max. (LT) | Min. (LW)     | Max. (LT) | Min. (LW) | Max. (LT) | Min. (LW) | Max. (LT) | Min. (LW) | Max. (LT) |
| m                         | inches |                        |                 |                         |                |                                  |           |               |           |           |           |           |           |           |           |
| 1.778                     | 70     | 0.872                  | 1.550           | -                       | -              | 0.84                             | 1.06      | 1.04          | 1.46      | 1.45      | 2.14      | 2.09      | 3.24      | 3.18      | 5.21      |
| 2.032                     | 80     | 0.996                  | 1.771           | -                       | -              | 0.97                             | 1.22      | 1.19          | 1.68      | 1.66      | 2.45      | 2.40      | 3.71      | 3.65      | 5.97      |
| 2.286                     | 90     | 1.121                  | 1.992           | -                       | -              | 1.09                             | 1.37      | 1.35          | 1.89      | 1.87      | 2.76      | 2.71      | 4.18      | 4.12      | 6.73      |
| 2.540                     | 100    | 1.245                  | 2.214           | 0.67                    | 0.72           | 1.22                             | 1.53      | 1.50          | 2.10      | 2.08      | 3.08      | 3.01      | 4.65      | 4.58      | 7.48      |
| 3.048                     | 120    | 1.494                  | 2.657           | 0.81                    | 0.87           | 1.47                             | 1.84      | 1.81          | 2.53      | 2.51      | 3.70      | 3.63      | 5.59      | 5.52      | 9.00      |
| 3.810                     | 150    | 1.868                  | 3.321           | 1.02                    | 1.10           | 1.84                             | 2.31      | 2.27          | 3.18      | 3.14      | 4.64      | 4.55      | 7.01      | 6.92      | 11.27     |
| 5.080                     | 200    | 2.491                  | 4.428           | 1.38                    | 1.48           | 2.47                             | 3.09      | 3.05          | 4.25      | 4.20      | 6.20      | 6.09      | 9.36      | 9.26      | 15.05     |
| 6.350                     | 250    | 3.113                  | 5.535           | 1.73                    | 1.85           | 3.09                             | 3.88      | 3.82          | 5.32      | 5.26      | 7.76      | 7.63      | 11.72     | 11.60     | 18.83     |
| 7.620                     | 300    | 3.736                  | 6.641           | 2.08                    | 2.23           | 3.72                             | 4.66      | 4.59          | 6.39      | 6.32      | 9.32      | 9.17      | 14.08     | 13.94     | 22.62     |
| 8.890                     | 350    | 4.358                  | 7.748           | 2.43                    | 2.61           | 4.34                             | 5.44      | 5.36          | 7.46      | 7.38      | 10.88     | 10.71     | 16.44     | 16.28     | 26.40     |
| 10.160                    | 400    | 4.981                  | 8.855           | 2.78                    | 2.99           | 4.97                             | 6.23      | 6.13          | 8.54      | 8.44      | 12.44     | 12.26     | 18.79     | 18.62     | 30.18     |
| 12.700                    | 500    | 6.226                  | 11.069          | 3.49                    | 3.74           | 6.22                             | 7.79      | 7.68          | 10.68     | 10.56     | 15.56     | 15.34     | 23.51     | 23.29     | 37.75     |
| 15.240                    | 600    | 7.472                  | 13.283          | 4.19                    | 4.50           | 7.47                             | 9.36      | 9.22          | 12.82     | 12.67     | 18.69     | 18.42     | 28.22     | 27.97     | 45.32     |
| 17.780                    | 700    | 8.717                  | 15.497          | 4.90                    | 5.26           | 8.72                             | 10.92     | 10.76         | 14.97     | 14.79     | 21.81     | 21.50     | 32.94     | 32.65     | 52.88     |
| 20.320                    | 800    | 9.962                  | 17.710          | 5.60                    | 6.01           | 9.97                             | 12.49     | 12.31         | 17.11     | 16.91     | 24.93     | 24.58     | 37.65     | 37.32     | 60.45     |
| 22.860                    | 900    | 11.207                 | 19.924          | 6.31                    | 6.77           | 11.22                            | 14.06     | 13.85         | 19.26     | 19.03     | 28.05     | 27.66     | 42.36     | 42.00     | 68.02     |
| 25.400                    | 1000   | 12.453                 | 22.138          | 7.01                    | 7.52           | 12.47                            | 15.62     | 15.40         | 21.40     | 21.15     | 31.17     | 30.74     | 47.08     | 46.68     | 75.59     |

| Projection lens Model No. |        | ET-C1W400<br>ET-C1W500<br>ET-C1S600<br>ET-C1T700 |            | ET-C1W300     | ET-C1U100     |               |
|---------------------------|--------|--------------------------------------------------|------------|---------------|---------------|---------------|
| Throw ratio <sup>1</sup>  |        |                                                  |            |               |               |               |
| Projected image size      |        | Height position (H)                              |            |               |               |               |
| Diagonal (SD)             |        | Height (SH)                                      | Width (SW) |               |               |               |
| m                         | inches |                                                  |            |               |               |               |
| 1.778                     | 70     | 0.872                                            | 1.550      | -0.15 - 1.02  | -0.05 - 0.92  | -             |
| 2.032                     | 80     | 0.996                                            | 1.771      | -0.17 - 1.16  | -0.06 - 1.05  | -             |
| 2.286                     | 90     | 1.121                                            | 1.992      | -0.19 - 1.31  | -0.06 - 1.18  | -             |
| 2.540                     | 100    | 1.245                                            | 2.214      | -0.21 - 1.45  | -0.07 - 1.31  | -0.07 - 1.31  |
| 3.048                     | 120    | 1.494                                            | 2.657      | -0.25 - 1.74  | -0.08 - 1.58  | -0.08 - 1.58  |
| 3.810                     | 150    | 1.868                                            | 3.321      | -0.31 - 2.18  | -0.10 - 1.97  | -0.10 - 1.97  |
| 5.080                     | 200    | 2.491                                            | 4.428      | -0.42 - 2.91  | -0.14 - 2.63  | -0.14 - 2.63  |
| 6.350                     | 250    | 3.113                                            | 5.535      | -0.52 - 3.63  | -0.17 - 3.29  | -0.17 - 3.29  |
| 7.620                     | 300    | 3.736                                            | 6.641      | -0.62 - 4.36  | -0.21 - 3.94  | -0.21 - 3.94  |
| 8.890                     | 350    | 4.358                                            | 7.748      | -0.73 - 5.09  | -0.24 - 4.60  | -0.24 - 4.60  |
| 10.160                    | 400    | 4.981                                            | 8.855      | -0.83 - 5.81  | -0.28 - 5.26  | -0.28 - 5.26  |
| 12.700                    | 500    | 6.226                                            | 11.069     | -1.04 - 7.26  | -0.35 - 6.57  | -0.35 - 6.57  |
| 15.240                    | 600    | 7.472                                            | 13.283     | -1.25 - 8.72  | -0.42 - 7.89  | -0.42 - 7.89  |
| 17.780                    | 700    | 8.717                                            | 15.497     | -1.45 - 10.17 | -0.48 - 9.20  | -0.48 - 9.20  |
| 20.320                    | 800    | 9.962                                            | 17.710     | -1.66 - 11.62 | -0.55 - 10.52 | -0.55 - 10.52 |
| 22.860                    | 900    | 11.207                                           | 19.924     | -1.87 - 13.08 | -0.62 - 11.83 | -0.62 - 11.83 |
| 25.400                    | 1000   | 12.453                                           | 22.138     | -2.08 - 14.53 | -0.69 - 13.14 | -0.69 - 13.14 |

1 The throw ratio is based on the value during projection with the projected image size of 2.54 m [100 in].

However, the throw ratio for ET-C1U100 is based on the value during projection with the projected image size of 3.81 m [150 in].

2 For ET-C1U100, fine text and images may not be displayed clearly during projection with the projected image size over 15.24 m [600 in].

Screen aspect ratio 16:9

Unit: feet

| Projection lens Model No. |        | ET-C1U100 <sup>2</sup> |            | ET-C1W300               |           | ET-C1W400       |           | ET-C1W500      |           | Standard zoom lens/<br>ET-C1S600 |           | ET-C1T700     |           |           |           |
|---------------------------|--------|------------------------|------------|-------------------------|-----------|-----------------|-----------|----------------|-----------|----------------------------------|-----------|---------------|-----------|-----------|-----------|
| Throw ratio <sup>1</sup>  |        | 0.308 - 0.331:1        |            | 0.550 - 0.690:1         |           | 0.680 - 0.950:1 |           | 0.940 - 1.39:1 |           | 1.36 - 2.10:1                    |           | 2.07 - 3.38:1 |           |           |           |
| Projected image size      |        |                        |            | Projection distance (L) |           |                 |           |                |           |                                  |           |               |           |           |           |
| Diagonal (SD)             |        | Height (SH)            | Width (SW) | Min. (LW)               | Max. (LT) | Min. (LW)       | Max. (LT) | Min. (LW)      | Max. (LT) | Min. (LW)                        | Max. (LT) | Min. (LW)     | Max. (LT) | Min. (LW) | Max. (LT) |
| m                         | inches |                        |            |                         |           |                 |           |                |           |                                  |           |               |           |           |           |
| 1.778                     | 70     | 2.86                   | 5.09       | -                       | -         | 2.76            | 3.48      | 3.41           | 4.79      | 4.76                             | 7.02      | 6.86          | 10.63     | 10.43     | 17.09     |
| 2.032                     | 80     | 3.27                   | 5.81       | -                       | -         | 3.18            | 4.00      | 3.90           | 5.51      | 5.45                             | 8.04      | 7.87          | 12.17     | 11.98     | 19.59     |
| 2.286                     | 90     | 3.68                   | 6.54       | -                       | -         | 3.58            | 4.50      | 4.43           | 6.20      | 6.14                             | 9.06      | 8.89          | 13.71     | 13.52     | 22.08     |
| 2.540                     | 100    | 4.09                   | 7.26       | 2.20                    | 2.36      | 4.00            | 5.02      | 4.92           | 6.89      | 6.82                             | 10.11     | 9.88          | 15.26     | 15.03     | 24.54     |
| 3.048                     | 120    | 4.90                   | 8.72       | 2.66                    | 2.85      | 4.82            | 6.04      | 5.94           | 8.30      | 8.24                             | 12.14     | 11.91         | 18.34     | 18.11     | 29.53     |
| 3.810                     | 150    | 6.13                   | 10.90      | 3.35                    | 3.61      | 6.04            | 7.58      | 7.45           | 10.43     | 10.30                            | 15.22     | 14.93         | 23.00     | 22.70     | 36.98     |
| 5.080                     | 200    | 8.17                   | 14.53      | 4.53                    | 4.86      | 8.10            | 10.14     | 10.01          | 13.94     | 13.78                            | 20.34     | 19.98         | 30.71     | 30.38     | 49.38     |
| 6.350                     | 250    | 10.21                  | 18.16      | 5.68                    | 6.07      | 10.14           | 12.73     | 12.53          | 17.45     | 17.26                            | 25.46     | 25.03         | 38.45     | 38.06     | 61.78     |
| 7.620                     | 300    | 12.26                  | 21.79      | 6.82                    | 7.32      | 12.21           | 15.29     | 15.06          | 20.97     | 20.74                            | 30.58     | 30.09         | 46.19     | 45.74     | 74.21     |
| 8.890                     | 350    | 14.30                  | 25.42      | 7.97                    | 8.56      | 14.24           | 17.85     | 17.59          | 24.48     | 24.21                            | 35.70     | 35.14         | 53.94     | 53.41     | 86.61     |
| 10.160                    | 400    | 16.34                  | 29.05      | 9.12                    | 9.81      | 16.31           | 20.44     | 20.11          | 28.02     | 27.69                            | 40.81     | 40.22         | 61.65     | 61.09     | 99.02     |
| 12.700                    | 500    | 20.43                  | 36.32      | 11.45                   | 12.27     | 20.41           | 25.56     | 25.20          | 35.04     | 34.65                            | 51.05     | 50.33         | 77.13     | 76.41     | 123.85    |
| 15.240                    | 600    | 24.51                  | 43.58      | 13.75                   | 14.76     | 24.51           | 30.71     | 30.25          | 42.06     | 41.57                            | 61.32     | 60.43         | 92.59     | 91.77     | 148.69    |
| 17.780                    | 700    | 28.60                  | 50.84      | 16.08                   | 17.26     | 28.61           | 35.83     | 35.30          | 49.11     | 48.52                            | 71.56     | 70.54         | 108.07    | 107.12    | 173.49    |
| 20.320                    | 800    | 32.68                  | 58.10      | 18.37                   | 19.72     | 32.71           | 40.98     | 40.39          | 56.14     | 55.48                            | 81.79     | 80.64         | 123.52    | 122.44    | 198.33    |
| 22.860                    | 900    | 36.77                  | 65.37      | 20.70                   | 22.21     | 36.81           | 46.13     | 45.44          | 63.19     | 62.43                            | 92.03     | 90.75         | 138.98    | 137.80    | 223.16    |
| 25.400                    | 1000   | 40.86                  | 72.63      | 23.00                   | 24.67     | 40.91           | 51.25     | 50.53          | 70.21     | 69.39                            | 102.26    | 100.85        | 154.46    | 153.15    | 248.00    |

| Projection lens Model No. |        | ET-C1W400<br>ET-C1W500<br>ET-C1S600<br>ET-C1T700 |            | ET-C1W300           |               | ET-C1U100     |  |
|---------------------------|--------|--------------------------------------------------|------------|---------------------|---------------|---------------|--|
| Throw ratio <sup>1</sup>  |        |                                                  |            |                     |               |               |  |
| Projected image size      |        |                                                  |            | Height position (H) |               |               |  |
| Diagonal (SD)             |        | Height (SH)                                      | Width (SW) |                     |               |               |  |
| m                         | inches |                                                  |            |                     |               |               |  |
| 1.778                     | 70     | 2.86                                             | 5.09       | -0.49 - 3.35        | -0.16 - 3.02  | -             |  |
| 2.032                     | 80     | 3.27                                             | 5.81       | -0.56 - 3.81        | -0.20 - 3.45  | -             |  |
| 2.286                     | 90     | 3.68                                             | 6.54       | -0.62 - 4.30        | -0.20 - 3.87  | -             |  |
| 2.540                     | 100    | 4.09                                             | 7.26       | -0.69 - 4.76        | -0.23 - 4.30  | -0.23 - 4.30  |  |
| 3.048                     | 120    | 4.90                                             | 8.72       | -0.82 - 5.71        | -0.26 - 5.18  | -0.26 - 5.18  |  |
| 3.810                     | 150    | 6.13                                             | 10.90      | -1.02 - 7.15        | -0.33 - 6.46  | -0.33 - 6.46  |  |
| 5.080                     | 200    | 8.17                                             | 14.53      | -1.38 - 9.55        | -0.46 - 8.63  | -0.46 - 8.63  |  |
| 6.350                     | 250    | 10.21                                            | 18.16      | -1.71 - 11.91       | -0.56 - 10.79 | -0.56 - 10.79 |  |
| 7.620                     | 300    | 12.26                                            | 21.79      | -2.03 - 14.30       | -0.69 - 12.93 | -0.69 - 12.93 |  |
| 8.890                     | 350    | 14.30                                            | 25.42      | -2.40 - 16.70       | -0.79 - 15.09 | -0.79 - 15.09 |  |
| 10.160                    | 400    | 16.34                                            | 29.05      | -2.72 - 19.06       | -0.92 - 17.26 | -0.92 - 17.26 |  |
| 12.700                    | 500    | 20.43                                            | 36.32      | -3.41 - 23.82       | -1.15 - 21.56 | -1.15 - 21.56 |  |
| 15.240                    | 600    | 24.51                                            | 43.58      | -4.10 - 28.61       | -1.38 - 25.89 | -1.38 - 25.89 |  |
| 17.780                    | 700    | 28.60                                            | 50.84      | -4.76 - 33.37       | -1.58 - 30.18 | -1.58 - 30.18 |  |
| 20.320                    | 800    | 32.68                                            | 58.10      | -5.45 - 38.12       | -1.80 - 34.51 | -1.80 - 34.51 |  |
| 22.860                    | 900    | 36.77                                            | 65.37      | -6.14 - 42.91       | -2.03 - 38.81 | -2.03 - 38.81 |  |
| 25.400                    | 1000   | 40.86                                            | 72.63      | -6.82 - 47.67       | -2.26 - 43.11 | -2.26 - 43.11 |  |

1 The throw ratio is based on the value during projection with the projected image size of 2.54 m [100 in].

However, the throw ratio for ET-C1U100 is based on the value during projection with the projected image size of 3.81 m [150 in].

2 For ET-C1U100, fine text and images may not be displayed clearly during projection with the projected image size over 15.24 m [600 in].

Screen aspect ratio 4:3

Unit: meters

| Projection lens Model No. |        | ET-C1U100 <sup>2</sup> | ET-C1W300       | ET-C1W400               | ET-C1W500     | Standard zoom lens/<br>ET-C1S600 |           | ET-C1T700     |           |           |           |           |           |           |           |
|---------------------------|--------|------------------------|-----------------|-------------------------|---------------|----------------------------------|-----------|---------------|-----------|-----------|-----------|-----------|-----------|-----------|-----------|
| Throw ratio <sup>1</sup>  |        | 0.371 - 0.398:1        | 0.660 - 0.830:1 | 0.820 - 1.14:1          | 1.13 - 1.67:1 | 1.64 - 2.52:1                    |           | 2.49 - 4.06:1 |           |           |           |           |           |           |           |
| Projected image size      |        |                        |                 | Projection distance (L) |               |                                  |           |               |           |           |           |           |           |           |           |
| Diagonal (SD)             |        | Height (SH)            | Width (SW)      | Min. (LW)               | Max. (LT)     | Min. (LW)                        | Max. (LT) | Min. (LW)     | Max. (LT) | Min. (LW) | Max. (LT) | Min. (LW) | Max. (LT) | Min. (LW) | Max. (LT) |
| m                         | inches |                        |                 |                         |               |                                  |           |               |           |           |           |           |           |           |           |
| 1.778                     | 70     | 1.067                  | 1.422           | -                       | -             | 0.93                             | 1.17      | 1.15          | 1.61      | 1.60      | 2.36      | 2.31      | 3.57      | 3.51      | 5.75      |
| 2.032                     | 80     | 1.219                  | 1.626           | -                       | -             | 1.07                             | 1.34      | 1.32          | 1.85      | 1.83      | 2.71      | 2.65      | 4.09      | 4.03      | 6.58      |
| 2.286                     | 90     | 1.372                  | 1.829           | -                       | -             | 1.21                             | 1.51      | 1.49          | 2.09      | 2.07      | 3.05      | 2.99      | 4.61      | 4.54      | 7.42      |
| 2.540                     | 100    | 1.524                  | 2.032           | 0.74                    | 0.80          | 1.34                             | 1.69      | 1.66          | 2.32      | 2.30      | 3.39      | 3.33      | 5.13      | 5.06      | 8.25      |
| 3.048                     | 120    | 1.829                  | 2.438           | 0.90                    | 0.96          | 1.62                             | 2.03      | 2.00          | 2.79      | 2.77      | 4.08      | 4.00      | 6.17      | 6.09      | 9.92      |
| 3.810                     | 150    | 2.286                  | 3.048           | 1.13                    | 1.21          | 2.03                             | 2.55      | 2.51          | 3.50      | 3.47      | 5.11      | 5.02      | 7.73      | 7.63      | 12.42     |
| 5.080                     | 200    | 3.048                  | 4.064           | 1.52                    | 1.63          | 2.72                             | 3.41      | 3.36          | 4.68      | 4.63      | 6.83      | 6.72      | 10.32     | 10.21     | 16.59     |
| 6.350                     | 250    | 3.810                  | 5.080           | 1.91                    | 2.05          | 3.41                             | 4.27      | 4.21          | 5.86      | 5.80      | 8.55      | 8.42      | 12.92     | 12.79     | 20.75     |
| 7.620                     | 300    | 4.572                  | 6.096           | 2.29                    | 2.46          | 4.10                             | 5.14      | 5.06          | 7.05      | 6.96      | 10.27     | 10.11     | 15.51     | 15.36     | 24.92     |
| 8.890                     | 350    | 5.334                  | 7.112           | 2.68                    | 2.88          | 4.79                             | 6.00      | 5.91          | 8.23      | 8.13      | 11.99     | 11.81     | 18.11     | 17.94     | 29.09     |
| 10.160                    | 400    | 6.096                  | 8.128           | 3.07                    | 3.29          | 5.47                             | 6.86      | 6.76          | 9.41      | 9.30      | 13.71     | 13.51     | 20.71     | 20.51     | 33.25     |
| 12.700                    | 500    | 7.620                  | 10.160          | 3.85                    | 4.13          | 6.85                             | 8.59      | 8.46          | 11.77     | 11.63     | 17.15     | 16.90     | 25.90     | 25.66     | 41.59     |
| 15.240                    | 600    | 9.144                  | 12.192          | 4.62                    | 4.96          | 8.23                             | 10.31     | 10.16         | 14.13     | 13.96     | 20.59     | 20.29     | 31.09     | 30.82     | 49.92     |
| 17.780                    | 700    | 10.668                 | 14.224          | 5.40                    | 5.79          | 9.60                             | 12.04     | 11.86         | 16.49     | 16.30     | 24.03     | 23.68     | 36.28     | 35.97     | 58.26     |
| 20.320                    | 800    | 12.192                 | 16.256          | 6.18                    | 6.62          | 10.98                            | 13.76     | 13.56         | 18.85     | 18.63     | 27.46     | 27.08     | 41.48     | 41.12     | 66.59     |
| 22.860                    | 900    | 13.716                 | 18.288          | 6.95                    | 7.46          | 12.36                            | 15.49     | 15.26         | 21.21     | 20.96     | 30.90     | 30.47     | 46.67     | 46.27     | 74.93     |
| 25.400                    | 1000   | 15.240                 | 20.320          | 7.73                    | 8.29          | 13.73                            | 17.21     | 16.96         | 23.57     | 23.30     | 34.34     | 33.86     | 51.86     | 51.42     | 83.26     |

| Projection lens Model No. |        | ET-C1W400<br>ET-C1W500<br>ET-C1S600<br>ET-C1T700 |            | ET-C1W300     | ET-C1U100    |              |
|---------------------------|--------|--------------------------------------------------|------------|---------------|--------------|--------------|
| Throw ratio <sup>1</sup>  |        |                                                  |            |               |              |              |
| Projected image size      |        | Height position (H)                              |            |               |              |              |
| Diagonal (SD)             |        | Height (SH)                                      | Width (SW) |               |              |              |
| m                         | inches |                                                  |            |               |              |              |
| 1.778                     | 70     | 1.067                                            | 1.422      | -0.11 - 1.17  | 0.00 - 1.07  | -            |
| 2.032                     | 80     | 1.219                                            | 1.626      | -0.12 - 1.34  | 0.00 - 1.22  | -            |
| 2.286                     | 90     | 1.372                                            | 1.829      | -0.14 - 1.51  | 0.00 - 1.37  | -            |
| 2.540                     | 100    | 1.524                                            | 2.032      | -0.15 - 1.68  | 0.00 - 1.52  | 0.00 - 1.52  |
| 3.048                     | 120    | 1.829                                            | 2.438      | -0.18 - 2.01  | 0.00 - 1.83  | 0.00 - 1.83  |
| 3.810                     | 150    | 2.286                                            | 3.048      | -0.23 - 2.52  | 0.00 - 2.29  | 0.00 - 2.29  |
| 5.080                     | 200    | 3.048                                            | 4.064      | -0.31 - 3.35  | 0.00 - 3.05  | 0.00 - 3.05  |
| 6.350                     | 250    | 3.810                                            | 5.080      | -0.38 - 4.19  | 0.00 - 3.81  | 0.00 - 3.81  |
| 7.620                     | 300    | 4.572                                            | 6.096      | -0.46 - 5.03  | 0.00 - 4.57  | 0.00 - 4.57  |
| 8.890                     | 350    | 5.334                                            | 7.112      | -0.53 - 5.87  | 0.00 - 5.33  | 0.00 - 5.33  |
| 10.160                    | 400    | 6.096                                            | 8.128      | -0.61 - 6.71  | 0.00 - 6.10  | 0.00 - 6.10  |
| 12.700                    | 500    | 7.620                                            | 10.160     | -0.76 - 8.38  | 0.00 - 7.62  | 0.00 - 7.62  |
| 15.240                    | 600    | 9.144                                            | 12.192     | -0.91 - 10.06 | 0.00 - 9.14  | 0.00 - 9.14  |
| 17.780                    | 700    | 10.668                                           | 14.224     | -1.07 - 11.74 | 0.00 - 10.67 | 0.00 - 10.67 |
| 20.320                    | 800    | 12.192                                           | 16.256     | -1.22 - 13.41 | 0.00 - 12.19 | 0.00 - 12.19 |
| 22.860                    | 900    | 13.716                                           | 18.288     | -1.37 - 15.09 | 0.00 - 13.72 | 0.00 - 13.72 |
| 25.400                    | 1000   | 15.240                                           | 20.320     | -1.52 - 16.76 | 0.00 - 15.24 | 0.00 - 15.24 |

1 The throw ratio is based on the value during projection with the projected image size of 2.54 m [100 in].

However, the throw ratio for ET-C1U100 is based on the value during projection with the projected image size of 3.81 m [150 in].

2 For ET-C1U100, fine text and images may not be displayed clearly during projection with the projected image size over 15.24 m [600 in].

Screen aspect ratio 4:3

Unit: feet

| Projection lens Model No. |        | ET-C1U100 <sup>2</sup> |            | ET-C1W300               |           | ET-C1W400      |           | ET-C1W500     |           | Standard zoom lens/<br>ET-C1S600 |           | ET-C1T700     |           |           |           |
|---------------------------|--------|------------------------|------------|-------------------------|-----------|----------------|-----------|---------------|-----------|----------------------------------|-----------|---------------|-----------|-----------|-----------|
| Throw ratio <sup>1</sup>  |        | 0.371 - 0.398:1        |            | 0.660 - 0.830:1         |           | 0.820 - 1.14:1 |           | 1.13 - 1.67:1 |           | 1.64 - 2.52:1                    |           | 2.49 - 4.06:1 |           |           |           |
| Projected image size      |        |                        |            | Projection distance (L) |           |                |           |               |           |                                  |           |               |           |           |           |
| Diagonal (SD)             |        | Height (SH)            | Width (SW) | Min. (LW)               | Max. (LT) | Min. (LW)      | Max. (LT) | Min. (LW)     | Max. (LT) | Min. (LW)                        | Max. (LT) | Min. (LW)     | Max. (LT) | Min. (LW) | Max. (LT) |
| m                         | inches |                        |            |                         |           |                |           |               |           |                                  |           |               |           |           |           |
| 1.778                     | 70     | 3.50                   | 4.67       | -                       | -         | 3.05           | 3.84      | 3.77          | 5.28      | 5.25                             | 7.74      | 7.58          | 11.71     | 11.52     | 18.87     |
| 2.032                     | 80     | 4.00                   | 5.34       | -                       | -         | 3.51           | 4.40      | 4.33          | 6.07      | 6.00                             | 8.89      | 8.69          | 13.42     | 13.22     | 21.59     |
| 2.286                     | 90     | 4.50                   | 6.00       | -                       | -         | 3.97           | 4.95      | 4.89          | 6.86      | 6.79                             | 10.01     | 9.81          | 15.13     | 14.90     | 24.34     |
| 2.540                     | 100    | 5.00                   | 6.67       | 2.43                    | 2.63      | 4.40           | 5.55      | 5.45          | 7.61      | 7.55                             | 11.12     | 10.93         | 16.83     | 16.60     | 27.07     |
| 3.048                     | 120    | 6.00                   | 8.00       | 2.95                    | 3.15      | 5.32           | 6.66      | 6.56          | 9.15      | 9.09                             | 13.39     | 13.12         | 20.24     | 19.98     | 32.55     |
| 3.810                     | 150    | 7.50                   | 10.00      | 3.71                    | 3.97      | 6.66           | 8.37      | 8.24          | 11.48     | 11.39                            | 16.77     | 16.47         | 25.36     | 25.03     | 40.75     |
| 5.080                     | 200    | 10.00                  | 13.33      | 4.99                    | 5.35      | 8.92           | 11.19     | 11.02         | 15.35     | 15.19                            | 22.41     | 22.05         | 33.86     | 33.50     | 54.43     |
| 6.350                     | 250    | 12.50                  | 16.67      | 6.27                    | 6.73      | 11.19          | 14.01     | 13.81         | 19.23     | 19.03                            | 28.05     | 27.63         | 42.39     | 41.96     | 68.08     |
| 7.620                     | 300    | 15.00                  | 20.00      | 7.51                    | 8.07      | 13.45          | 16.86     | 16.60         | 23.13     | 22.84                            | 33.69     | 33.17         | 50.89     | 50.39     | 81.76     |
| 8.890                     | 350    | 17.50                  | 23.33      | 8.79                    | 9.45      | 15.72          | 19.69     | 19.39         | 27.00     | 26.67                            | 39.34     | 38.75         | 59.42     | 58.86     | 95.44     |
| 10.160                    | 400    | 20.00                  | 26.67      | 10.07                   | 10.79     | 17.95          | 22.51     | 22.18         | 30.87     | 30.51                            | 44.98     | 44.32         | 67.95     | 67.29     | 109.09    |
| 12.700                    | 500    | 25.00                  | 33.33      | 12.63                   | 13.55     | 22.47          | 28.18     | 27.76         | 38.62     | 38.16                            | 56.27     | 55.45         | 84.97     | 84.19     | 136.45    |
| 15.240                    | 600    | 30.00                  | 40.00      | 15.16                   | 16.27     | 27.00          | 33.83     | 33.33         | 46.36     | 45.80                            | 67.55     | 66.57         | 102.00    | 101.12    | 163.78    |
| 17.780                    | 700    | 35.00                  | 46.67      | 17.72                   | 19.00     | 31.50          | 39.50     | 38.91         | 54.10     | 53.48                            | 78.84     | 77.69         | 119.03    | 118.01    | 191.14    |
| 20.320                    | 800    | 40.00                  | 53.33      | 20.28                   | 21.72     | 36.02          | 45.14     | 44.49         | 61.84     | 61.12                            | 90.09     | 88.85         | 136.09    | 134.91    | 218.47    |
| 22.860                    | 900    | 45.00                  | 60.00      | 22.80                   | 24.48     | 40.55          | 50.82     | 50.07         | 69.59     | 68.77                            | 101.38    | 99.97         | 153.12    | 151.80    | 245.83    |
| 25.400                    | 1000   | 50.00                  | 66.67      | 25.36                   | 27.20     | 45.05          | 56.46     | 55.64         | 77.33     | 76.44                            | 112.66    | 111.09        | 170.14    | 168.70    | 273.16    |

| Projection lens Model No. |        | ET-C1W400<br>ET-C1W500<br>ET-C1S600<br>ET-C1T700 |            | ET-C1W300           |              | ET-C1U100    |  |
|---------------------------|--------|--------------------------------------------------|------------|---------------------|--------------|--------------|--|
| Throw ratio <sup>1</sup>  |        |                                                  |            |                     |              |              |  |
| Projected image size      |        |                                                  |            | Height position (H) |              |              |  |
| Diagonal (SD)             |        | Height (SH)                                      | Width (SW) |                     |              |              |  |
| m                         | inches |                                                  |            |                     |              |              |  |
| 1.778                     | 70     | 3.50                                             | 4.67       | -0.36 - 3.84        | 0.00 - 3.51  | -            |  |
| 2.032                     | 80     | 4.00                                             | 5.34       | -0.39 - 4.40        | 0.00 - 4.00  | -            |  |
| 2.286                     | 90     | 4.50                                             | 6.00       | -0.46 - 4.95        | 0.00 - 4.50  | -            |  |
| 2.540                     | 100    | 5.00                                             | 6.67       | -0.49 - 5.51        | 0.00 - 4.99  | 0.00 - 4.99  |  |
| 3.048                     | 120    | 6.00                                             | 8.00       | -0.59 - 6.59        | 0.00 - 6.00  | 0.00 - 6.00  |  |
| 3.810                     | 150    | 7.50                                             | 10.00      | -0.76 - 8.27        | 0.00 - 7.51  | 0.00 - 7.51  |  |
| 5.080                     | 200    | 10.00                                            | 13.33      | -1.02 - 10.99       | 0.00 - 10.01 | 0.00 - 10.01 |  |
| 6.350                     | 250    | 12.50                                            | 16.67      | -1.25 - 13.75       | 0.00 - 12.50 | 0.00 - 12.50 |  |
| 7.620                     | 300    | 15.00                                            | 20.00      | -1.51 - 16.50       | 0.00 - 14.99 | 0.00 - 14.99 |  |
| 8.890                     | 350    | 17.50                                            | 23.33      | -1.74 - 19.26       | 0.00 - 17.49 | 0.00 - 17.49 |  |
| 10.160                    | 400    | 20.00                                            | 26.67      | -2.00 - 22.01       | 0.00 - 20.01 | 0.00 - 20.01 |  |
| 12.700                    | 500    | 25.00                                            | 33.33      | -2.49 - 27.49       | 0.00 - 25.00 | 0.00 - 25.00 |  |
| 15.240                    | 600    | 30.00                                            | 40.00      | -2.99 - 33.01       | 0.00 - 29.99 | 0.00 - 29.99 |  |
| 17.780                    | 700    | 35.00                                            | 46.67      | -3.51 - 38.52       | 0.00 - 35.01 | 0.00 - 35.01 |  |
| 20.320                    | 800    | 40.00                                            | 53.33      | -4.00 - 44.00       | 0.00 - 39.99 | 0.00 - 39.99 |  |
| 22.860                    | 900    | 45.00                                            | 60.00      | -4.50 - 49.51       | 0.00 - 45.01 | 0.00 - 45.01 |  |
| 25.400                    | 1000   | 50.00                                            | 66.67      | -4.99 - 54.99       | 0.00 - 50.00 | 0.00 - 50.00 |  |

1 The throw ratio is based on the value during projection with the projected image size of 2.54 m [100 in].

However, the throw ratio for ET-C1U100 is based on the value during projection with the projected image size of 3.81 m [150 in].

2 For ET-C1U100, fine text and images may not be displayed clearly during projection with the projected image size over 15.24 m [600 in].

Screen aspect ratio 21:9

Unit: meters

| Projection lens Model No. |        | ET-C1U100 <sup>2</sup> | ET-C1W300       | ET-C1W400               | ET-C1W500      | Standard zoom lens/<br>ET-C1S600 |           | ET-C1T700     |           |           |           |           |           |           |           |
|---------------------------|--------|------------------------|-----------------|-------------------------|----------------|----------------------------------|-----------|---------------|-----------|-----------|-----------|-----------|-----------|-----------|-----------|
| Throw ratio <sup>1</sup>  |        | 0.309 - 0.331:1        | 0.551 - 0.691:1 | 0.680 - 0.952:1         | 0.942 - 1.39:1 | 1.36 - 2.10:1                    |           | 2.07 - 3.38:1 |           |           |           |           |           |           |           |
| Projected image size      |        |                        |                 | Projection distance (L) |                |                                  |           |               |           |           |           |           |           |           |           |
| Diagonal (SD)             |        | Height (SH)            | Width (SW)      | Min. (LW)               | Max. (LT)      | Min. (LW)                        | Max. (LT) | Min. (LW)     | Max. (LT) | Min. (LW) | Max. (LT) | Min. (LW) | Max. (LT) | Min. (LW) | Max. (LT) |
| m                         | inches |                        |                 |                         |                |                                  |           |               |           |           |           |           |           |           |           |
| 1.778                     | 70     | 0.691                  | 1.638           | -                       | -              | 0.89                             | 1.12      | 1.10          | 1.55      | 1.53      | 2.27      | 2.21      | 3.43      | 3.37      | 5.52      |
| 2.032                     | 80     | 0.790                  | 1.872           | -                       | -              | 1.02                             | 1.29      | 1.26          | 1.77      | 1.76      | 2.60      | 2.54      | 3.92      | 3.86      | 6.32      |
| 2.286                     | 90     | 0.889                  | 2.106           | -                       | -              | 1.16                             | 1.45      | 1.43          | 2.00      | 1.98      | 2.93      | 2.86      | 4.42      | 4.36      | 7.12      |
| 2.540                     | 100    | 0.987                  | 2.340           | 0.71                    | 0.76           | 1.29                             | 1.62      | 1.59          | 2.23      | 2.20      | 3.26      | 3.19      | 4.92      | 4.85      | 7.92      |
| 3.048                     | 120    | 1.185                  | 2.808           | 0.86                    | 0.92           | 1.55                             | 1.95      | 1.92          | 2.68      | 2.65      | 3.92      | 3.84      | 5.92      | 5.84      | 9.52      |
| 3.810                     | 150    | 1.481                  | 3.510           | 1.08                    | 1.16           | 1.95                             | 2.45      | 2.41          | 3.36      | 3.32      | 4.91      | 4.82      | 7.41      | 7.32      | 11.92     |
| 5.080                     | 200    | 1.975                  | 4.681           | 1.46                    | 1.56           | 2.61                             | 3.27      | 3.22          | 4.49      | 4.44      | 6.56      | 6.45      | 9.90      | 9.80      | 15.91     |
| 6.350                     | 250    | 2.468                  | 5.851           | 1.83                    | 1.96           | 3.27                             | 4.10      | 4.04          | 5.63      | 5.56      | 8.21      | 8.07      | 12.40     | 12.27     | 19.91     |
| 7.620                     | 300    | 2.962                  | 7.021           | 2.20                    | 2.36           | 3.93                             | 4.93      | 4.85          | 6.76      | 6.68      | 9.86      | 9.70      | 14.89     | 14.74     | 23.91     |
| 8.890                     | 350    | 3.456                  | 8.191           | 2.57                    | 2.76           | 4.59                             | 5.76      | 5.67          | 7.89      | 7.80      | 11.51     | 11.33     | 17.38     | 17.21     | 27.91     |
| 10.160                    | 400    | 3.949                  | 9.361           | 2.95                    | 3.16           | 5.25                             | 6.58      | 6.49          | 9.03      | 8.92      | 13.16     | 12.96     | 19.87     | 19.68     | 31.91     |
| 12.700                    | 500    | 4.936                  | 11.701          | 3.69                    | 3.96           | 6.57                             | 8.24      | 8.12          | 11.29     | 11.16     | 16.46     | 16.22     | 24.85     | 24.63     | 39.91     |
| 15.240                    | 600    | 5.924                  | 14.042          | 4.44                    | 4.76           | 7.89                             | 9.89      | 9.75          | 13.56     | 13.40     | 19.76     | 19.47     | 29.84     | 29.57     | 47.91     |
| 17.780                    | 700    | 6.911                  | 16.382          | 5.18                    | 5.56           | 9.22                             | 11.55     | 11.38         | 15.83     | 15.64     | 23.06     | 22.73     | 34.82     | 34.52     | 55.91     |
| 20.320                    | 800    | 7.898                  | 18.722          | 5.93                    | 6.36           | 10.54                            | 13.21     | 13.01         | 18.09     | 17.88     | 26.36     | 25.98     | 39.80     | 39.46     | 63.91     |
| 22.860                    | 900    | 8.886                  | 21.062          | 6.67                    | 7.16           | 11.86                            | 14.86     | 14.65         | 20.36     | 20.12     | 29.66     | 29.24     | 44.79     | 44.40     | 71.91     |
| 25.400                    | 1000   | 9.873                  | 23.403          | 7.42                    | 7.95           | 13.18                            | 16.52     | 16.28         | 22.62     | 22.36     | 32.96     | 32.50     | 49.77     | 49.35     | 79.91     |

| Projection lens Model No. |        | ET-C1W400<br>ET-C1W500<br>ET-C1S600<br>ET-C1T700 |            | ET-C1W300     | ET-C1U100     |               |
|---------------------------|--------|--------------------------------------------------|------------|---------------|---------------|---------------|
| Throw ratio <sup>1</sup>  |        |                                                  |            |               |               |               |
| Projected image size      |        | Height position (H)                              |            |               |               |               |
| Diagonal (SD)             |        | Height (SH)                                      | Width (SW) |               |               |               |
| m                         | inches |                                                  |            |               |               |               |
| 1.778                     | 70     | 0.691                                            | 1.638      | -0.27 - 0.96  | -0.17 - 0.86  | -             |
| 2.032                     | 80     | 0.790                                            | 1.872      | -0.31 - 1.10  | -0.19 - 0.98  | -             |
| 2.286                     | 90     | 0.889                                            | 2.106      | -0.35 - 1.23  | -0.21 - 1.10  | -             |
| 2.540                     | 100    | 0.987                                            | 2.340      | -0.38 - 1.37  | -0.24 - 1.23  | -0.24 - 1.23  |
| 3.048                     | 120    | 1.185                                            | 2.808      | -0.46 - 1.65  | -0.29 - 1.47  | -0.29 - 1.47  |
| 3.810                     | 150    | 1.481                                            | 3.510      | -0.58 - 2.06  | -0.36 - 1.84  | -0.36 - 1.84  |
| 5.080                     | 200    | 1.975                                            | 4.681      | -0.77 - 2.74  | -0.48 - 2.45  | -0.48 - 2.45  |
| 6.350                     | 250    | 2.468                                            | 5.851      | -0.96 - 3.43  | -0.59 - 3.06  | -0.59 - 3.06  |
| 7.620                     | 300    | 2.962                                            | 7.021      | -1.15 - 4.11  | -0.71 - 3.68  | -0.71 - 3.68  |
| 8.890                     | 350    | 3.456                                            | 8.191      | -1.34 - 4.80  | -0.83 - 4.29  | -0.83 - 4.29  |
| 10.160                    | 400    | 3.949                                            | 9.361      | -1.54 - 5.49  | -0.95 - 4.90  | -0.95 - 4.90  |
| 12.700                    | 500    | 4.936                                            | 11.701     | -1.92 - 6.86  | -1.19 - 6.13  | -1.19 - 6.13  |
| 15.240                    | 600    | 5.924                                            | 14.042     | -2.30 - 8.23  | -1.43 - 7.35  | -1.43 - 7.35  |
| 17.780                    | 700    | 6.911                                            | 16.382     | -2.69 - 9.60  | -1.66 - 8.58  | -1.66 - 8.58  |
| 20.320                    | 800    | 7.898                                            | 18.722     | -3.07 - 10.97 | -1.90 - 9.80  | -1.90 - 9.80  |
| 22.860                    | 900    | 8.886                                            | 21.062     | -3.46 - 12.34 | -2.14 - 11.03 | -2.14 - 11.03 |
| 25.400                    | 1000   | 9.873                                            | 23.403     | -3.84 - 13.71 | -2.38 - 12.25 | -2.38 - 12.25 |

1 The throw ratio is based on the value during projection with the projected image size of 2.54 m [100 in].

However, the throw ratio for ET-C1U100 is based on the value during projection with the projected image size of 3.81 m [150 in].

2 For ET-C1U100, fine text and images may not be displayed clearly during projection with the projected image size over 15.24 m [600 in].

Screen aspect ratio 21:9

Unit: feet

| Projection lens Model No. |        | ET-C1U100 <sup>2</sup> |           | ET-C1W300               |           | ET-C1W400       |           | ET-C1W500      |           | Standard zoom lens/<br>ET-C1S600 |           | ET-C1T700     |           |           |           |
|---------------------------|--------|------------------------|-----------|-------------------------|-----------|-----------------|-----------|----------------|-----------|----------------------------------|-----------|---------------|-----------|-----------|-----------|
| Throw ratio <sup>1</sup>  |        | 0.309 - 0.331:1        |           | 0.551 - 0.691:1         |           | 0.680 - 0.952:1 |           | 0.942 - 1.39:1 |           | 1.36 - 2.10:1                    |           | 2.07 - 3.38:1 |           |           |           |
| Projected image size      |        |                        |           | Projection distance (L) |           |                 |           |                |           |                                  |           |               |           |           |           |
| Diagonal (SD)             |        | Min. (LW)              | Max. (LT) | Min. (LW)               | Max. (LT) | Min. (LW)       | Max. (LT) | Min. (LW)      | Max. (LT) | Min. (LW)                        | Max. (LT) | Min. (LW)     | Max. (LT) | Min. (LW) | Max. (LT) |
| m                         | inches |                        |           |                         |           |                 |           |                |           |                                  |           |               |           |           |           |
| 1.778                     | 70     | 2.27                   | 5.37      | -                       | -         | 2.92            | 3.68      | 3.61           | 5.09      | 5.02                             | 7.45      | 7.25          | 11.25     | 11.06     | 18.11     |
| 2.032                     | 80     | 2.59                   | 6.14      | -                       | -         | 3.35            | 4.23      | 4.13           | 5.81      | 5.77                             | 8.53      | 8.33          | 12.86     | 12.66     | 20.74     |
| 2.286                     | 90     | 2.92                   | 6.91      | -                       | -         | 3.81            | 4.76      | 4.69           | 6.56      | 6.50                             | 9.61      | 9.38          | 14.50     | 14.30     | 23.36     |
| 2.540                     | 100    | 3.24                   | 7.68      | 2.33                    | 2.49      | 4.23            | 5.32      | 5.22           | 7.32      | 7.22                             | 10.70     | 10.47         | 16.14     | 15.91     | 25.98     |
| 3.048                     | 120    | 3.89                   | 9.21      | 2.82                    | 3.02      | 5.09            | 6.40      | 6.30           | 8.79      | 8.69                             | 12.86     | 12.60         | 19.42     | 19.16     | 31.23     |
| 3.810                     | 150    | 4.86                   | 11.52     | 3.54                    | 3.81      | 6.40            | 8.04      | 7.91           | 11.02     | 10.89                            | 16.11     | 15.81         | 24.31     | 24.02     | 39.11     |
| 5.080                     | 200    | 6.48                   | 15.36     | 4.79                    | 5.12      | 8.56            | 10.73     | 10.56          | 14.73     | 14.57                            | 21.52     | 21.16         | 32.48     | 32.15     | 52.20     |
| 6.350                     | 250    | 8.10                   | 19.20     | 6.00                    | 6.43      | 10.73           | 13.45     | 13.26          | 18.47     | 18.24                            | 26.94     | 26.48         | 40.68     | 40.26     | 65.32     |
| 7.620                     | 300    | 9.72                   | 23.04     | 7.22                    | 7.74      | 12.89           | 16.18     | 15.91          | 22.18     | 21.92                            | 32.35     | 31.82         | 48.85     | 48.36     | 78.45     |
| 8.890                     | 350    | 11.34                  | 26.87     | 8.43                    | 9.06      | 15.06           | 18.90     | 18.60          | 25.89     | 25.59                            | 37.76     | 37.17         | 57.02     | 56.46     | 91.57     |
| 10.160                    | 400    | 12.96                  | 30.71     | 9.68                    | 10.37     | 17.22           | 21.59     | 21.29          | 29.63     | 29.27                            | 43.18     | 42.52         | 65.19     | 64.57     | 104.69    |
| 12.700                    | 500    | 16.19                  | 38.39     | 12.11                   | 12.99     | 21.56           | 27.03     | 26.64          | 37.04     | 36.61                            | 54.00     | 53.22         | 81.53     | 80.81     | 130.94    |
| 15.240                    | 600    | 19.44                  | 46.07     | 14.57                   | 15.62     | 25.89           | 32.45     | 31.99          | 44.49     | 43.96                            | 64.83     | 63.88         | 97.90     | 97.01     | 157.19    |
| 17.780                    | 700    | 22.67                  | 53.75     | 17.00                   | 18.24     | 30.25           | 37.89     | 37.34          | 51.94     | 51.31                            | 75.66     | 74.57         | 114.24    | 113.26    | 183.43    |
| 20.320                    | 800    | 25.91                  | 61.42     | 19.46                   | 20.87     | 34.58           | 43.34     | 42.68          | 59.35     | 58.66                            | 86.48     | 85.24         | 130.58    | 129.46    | 209.68    |
| 22.860                    | 900    | 29.15                  | 69.10     | 21.88                   | 23.49     | 38.91           | 48.75     | 48.06          | 66.80     | 66.01                            | 97.31     | 95.93         | 146.95    | 145.67    | 235.93    |
| 25.400                    | 1000   | 32.39                  | 76.78     | 24.34                   | 26.08     | 43.24           | 54.20     | 53.41          | 74.21     | 73.36                            | 108.14    | 106.63        | 163.29    | 161.91    | 262.17    |

| Projection lens Model No. |        | ET-C1W400<br>ET-C1W500<br>ET-C1S600<br>ET-C1T700 |           | ET-C1W300           |  | ET-C1U100 |  |
|---------------------------|--------|--------------------------------------------------|-----------|---------------------|--|-----------|--|
| Throw ratio <sup>1</sup>  |        |                                                  |           |                     |  |           |  |
| Projected image size      |        |                                                  |           | Height position (H) |  |           |  |
| Diagonal (SD)             |        | Min. (LW)                                        | Max. (LT) |                     |  |           |  |
| m                         | inches |                                                  |           |                     |  |           |  |
| 1.778                     | 70     | 2.27                                             | 5.37      | -0.89 - 3.15        |  |           |  |
| 2.032                     | 80     | 2.59                                             | 6.14      | -1.02 - 3.61        |  |           |  |
| 2.286                     | 90     | 2.92                                             | 6.91      | -1.15 - 4.04        |  |           |  |
| 2.540                     | 100    | 3.24                                             | 7.68      | -1.25 - 4.50        |  |           |  |
| 3.048                     | 120    | 3.89                                             | 9.21      | -1.51 - 5.41        |  |           |  |
| 3.810                     | 150    | 4.86                                             | 11.52     | -1.90 - 6.76        |  |           |  |
| 5.080                     | 200    | 6.48                                             | 15.36     | -2.53 - 8.99        |  |           |  |
| 6.350                     | 250    | 8.10                                             | 19.20     | -3.15 - 11.25       |  |           |  |
| 7.620                     | 300    | 9.72                                             | 23.04     | -3.77 - 13.48       |  |           |  |
| 8.890                     | 350    | 11.34                                            | 26.87     | -4.40 - 15.75       |  |           |  |
| 10.160                    | 400    | 12.96                                            | 30.71     | -5.05 - 18.01       |  |           |  |
| 12.700                    | 500    | 16.19                                            | 38.39     | -6.30 - 22.51       |  |           |  |
| 15.240                    | 600    | 19.44                                            | 46.07     | -7.55 - 27.00       |  |           |  |
| 17.780                    | 700    | 22.67                                            | 53.75     | -8.83 - 31.50       |  |           |  |
| 20.320                    | 800    | 25.91                                            | 61.42     | -10.07 - 35.99      |  |           |  |
| 22.860                    | 900    | 29.15                                            | 69.10     | -11.35 - 40.49      |  |           |  |
| 25.400                    | 1000   | 32.39                                            | 76.78     | -12.60 - 44.98      |  |           |  |

1 The throw ratio is based on the value during projection with the projected image size of 2.54 m [100 in].

However, the throw ratio for ET-C1U100 is based on the value during projection with the projected image size of 3.81 m [150 in].

2 For ET-C1U100, fine text and images may not be displayed clearly during projection with the projected image size over 15.24 m [600 in].



### Calculation of the projection distance

To use a projected image size not listed in this manual, check the projected image size SD (m) and use the respective formula to calculate the value.

The unit of all the formulae is m. (Values obtained by the following calculation formulae contain a slight error.)  
When calculating the value using image size designation (value in inches), multiply the value in inches by 0.0254 and substitute it into SD in the formula.

#### Screen aspect ratio 16:10

Unit: m

| Projection lens Model No.    | Throw ratio       | Projection distance (L) formula |                       |
|------------------------------|-------------------|---------------------------------|-----------------------|
|                              |                   | Min. (LW)                       | Max. (LT)             |
| ET-C1U100                    | 0.308 - 0.330 : 1 | =0.2700 x SD - 0.0348           | =0.2895 x SD - 0.0353 |
| ET-C1W300                    | 0.550 - 0.690 : 1 | =0.4787 x SD - 0.0322           | =0.5998 x SD - 0.0376 |
| ET-C1W400                    | 0.680 - 0.950 : 1 | =0.5913 x SD - 0.0416           | =0.8212 x SD - 0.0389 |
| ET-C1W500                    | 0.940 - 1.39 : 1  | =0.8114 x SD - 0.0344           | =1.1958 x SD - 0.0448 |
| Standard zoom lens/ET-C1S600 | 1.36 - 2.10 : 1   | =1.1800 x SD - 0.0668           | =1.8057 x SD - 0.0631 |
| ET-C1T700                    | 2.07 - 3.38 : 1   | =1.7915 x SD - 0.0929           | =2.8985 x SD - 0.0835 |

#### Screen aspect ratio 16:9

Unit: m

| Projection lens Model No.    | Throw ratio       | Projection distance (L) formula |                       |
|------------------------------|-------------------|---------------------------------|-----------------------|
|                              |                   | Min. (LW)                       | Max. (LT)             |
| ET-C1U100                    | 0.308 - 0.331 : 1 | =0.2775 x SD - 0.0348           | =0.2975 x SD - 0.0353 |
| ET-C1W300                    | 0.550 - 0.690 : 1 | =0.4920 x SD - 0.0322           | =0.6165 x SD - 0.0376 |
| ET-C1W400                    | 0.680 - 0.950 : 1 | =0.6078 x SD - 0.0416           | =0.8440 x SD - 0.0389 |
| ET-C1W500                    | 0.940 - 1.39 : 1  | =0.8339 x SD - 0.0344           | =1.2291 x SD - 0.0448 |
| Standard zoom lens/ET-C1S600 | 1.36 - 2.10 : 1   | =1.2128 x SD - 0.0668           | =1.8559 x SD - 0.0631 |
| ET-C1T700                    | 2.07 - 3.38 : 1   | =1.8413 x SD - 0.0929           | =2.9791 x SD - 0.0835 |

#### Screen aspect ratio 4:3

Unit: m

| Projection lens Model No.    | Throw ratio       | Projection distance (L) formula |                       |
|------------------------------|-------------------|---------------------------------|-----------------------|
|                              |                   | Min. (LW)                       | Max. (LT)             |
| ET-C1U100                    | 0.371 - 0.398 : 1 | =0.3057 x SD - 0.0348           | =0.3277 x SD - 0.0353 |
| ET-C1W300                    | 0.660 - 0.830 : 1 | =0.5420 x SD - 0.0322           | =0.6791 x SD - 0.0376 |
| ET-C1W400                    | 0.820 - 1.14 : 1  | =0.6694 x SD - 0.0416           | =0.9297 x SD - 0.0389 |
| ET-C1W500                    | 1.13 - 1.67 : 1   | =0.9185 x SD - 0.0344           | =1.3538 x SD - 0.0448 |
| Standard zoom lens/ET-C1S600 | 1.64 - 2.52 : 1   | =1.3358 x SD - 0.0668           | =2.0442 x SD - 0.0631 |
| ET-C1T700                    | 2.49 - 4.06 : 1   | =2.0282 x SD - 0.0929           | =3.2813 x SD - 0.0835 |

#### Screen aspect ratio 21:9

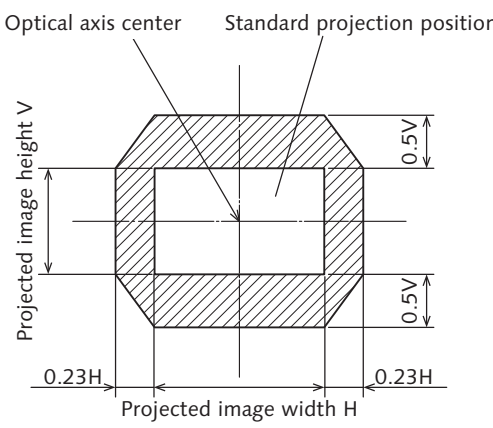
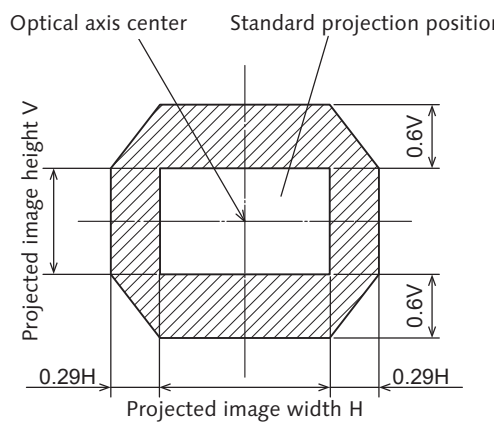
Unit: m

| Projection lens Model No.    | Throw ratio       | Projection distance (L) formula |                       |
|------------------------------|-------------------|---------------------------------|-----------------------|
|                              |                   | Min. (LW)                       | Max. (LT)             |
| ET-C1U100                    | 0.309 - 0.331 : 1 | =0.2934 x SD - 0.0348           | =0.3145 x SD - 0.0353 |
| ET-C1W300                    | 0.551 - 0.691 : 1 | =0.5202 x SD - 0.0322           | =0.6517 x SD - 0.0376 |
| ET-C1W400                    | 0.680 - 0.952 : 1 | =0.6425 x SD - 0.0416           | =0.8922 x SD - 0.0389 |
| ET-C1W500                    | 0.942 - 1.39 : 1  | =0.8816 x SD - 0.0344           | =1.2993 x SD - 0.0448 |
| Standard zoom lens/ET-C1S600 | 1.36 - 2.10 : 1   | =1.2821 x SD - 0.0668           | =1.9619 x SD - 0.0631 |
| ET-C1T700                    | 2.07 - 3.38 : 1   | =1.9465 x SD - 0.0929           | =3.1493 x SD - 0.0835 |

**Adjustment range by the lens position shift (optical shift)**

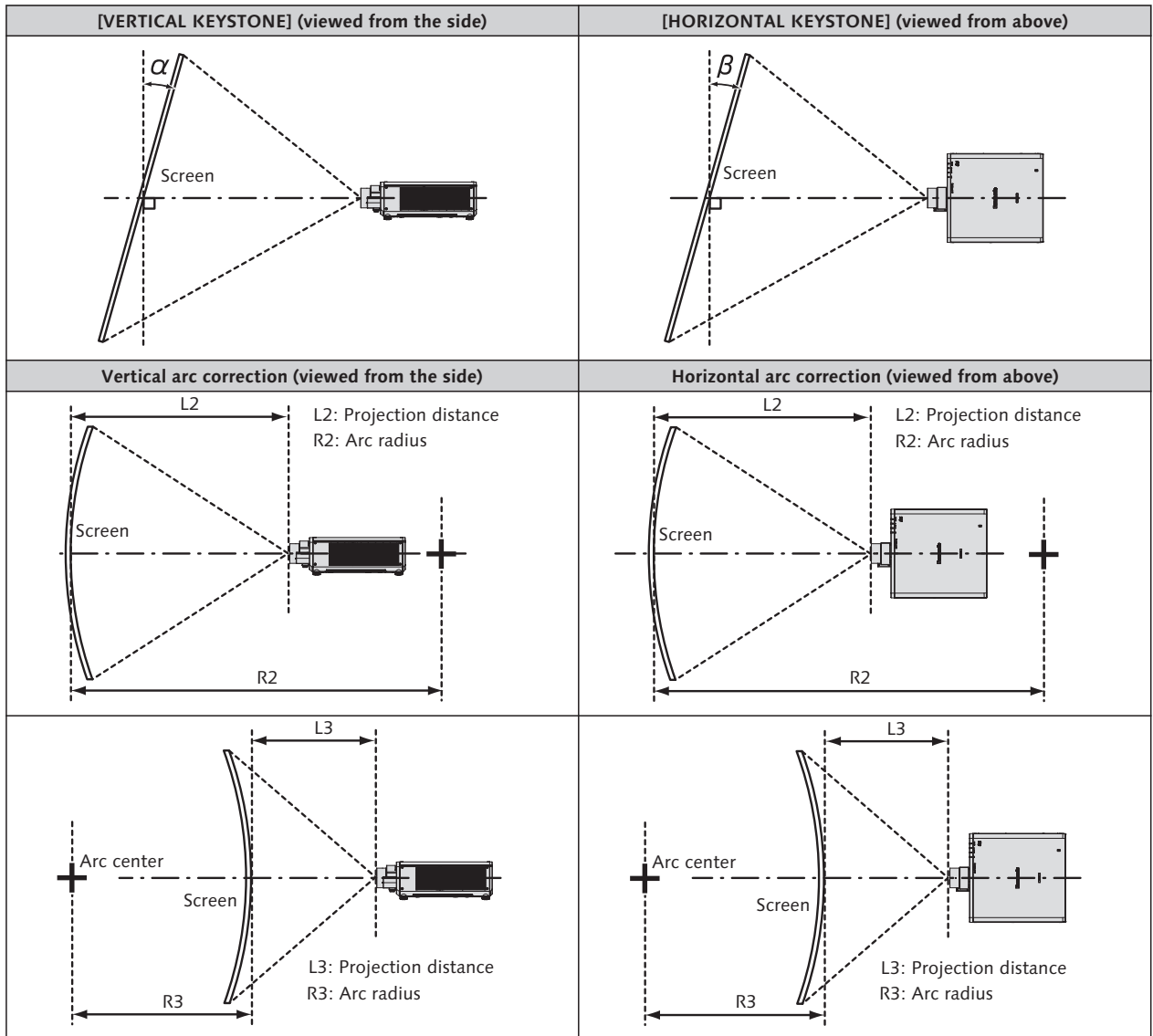
Based on the standard projection position using the optical axis shift function, the projection position can be adjusted in the range shown in the following figure.

Following figure shows the adjustment range when the projector is installed on the floor.

| Projection lens Model No. | When ET-C1U100, ET-C1W300 is mounted.                                                                                                                                                                                                                     | When Standard zoom lens, ET-C1W400, ET-C1W500, ET-C1S600, ET-C1T700 is mounted.                                                                                                                                                                            |
|---------------------------|-----------------------------------------------------------------------------------------------------------------------------------------------------------------------------------------------------------------------------------------------------------|------------------------------------------------------------------------------------------------------------------------------------------------------------------------------------------------------------------------------------------------------------|
| Lens shift range          |  <p>Optical axis center    Standard projection position</p> <p>Projected image height V</p> <p>0.5V</p> <p>0.5V</p> <p>0.23H    0.23H</p> <p>Projected image width H</p> |  <p>Optical axis center    Standard projection position</p> <p>Projected image height V</p> <p>0.6V</p> <p>0.6V</p> <p>0.29H    0.29H</p> <p>Projected image width H</p> |

- Optimal image can be achieved by installing the projector squarely in front of the screen and adjusting the lens shift lever to center.

[GEOMETRY] projection range



| Projection lens Model No. | Only [KEYSTONE] used <sup>1</sup>               |                                                  | [KEYSTONE] and [CURVED CORRECTION] used together |                                                  |                     |                     | Only [CURVED CORRECTION] used |                     |
|---------------------------|-------------------------------------------------|--------------------------------------------------|--------------------------------------------------|--------------------------------------------------|---------------------|---------------------|-------------------------------|---------------------|
|                           | Vertical keystone correction angle $\alpha$ (°) | Horizontal keystone correction angle $\beta$ (°) | Vertical keystone correction angle $\alpha$ (°)  | Horizontal keystone correction angle $\beta$ (°) | Min. value of R2/L2 | Min. value of R3/L3 | Min. value of R2/L2           | Min. value of R3/L3 |
| ET-C1U100                 | ±5                                              | ±3                                               | -                                                | -                                                | -                   | -                   | -                             | -                   |
| ET-C1W300                 | ±10                                             | ±5                                               | -                                                | -                                                | -                   | -                   | -                             | -                   |
| ET-C1W400                 | ±16                                             | ±10                                              | -                                                | -                                                | -                   | -                   | -                             | -                   |
| ET-C1W500                 | ±22                                             | ±15                                              | ±8                                               | ±8                                               | 1.3                 | 3.3                 | 0.8                           | 1.9                 |
| ET-C1S600                 | ±40                                             | ±40                                              | ±20                                              | ±15                                              | 1.3                 | 3.3                 | 0.8                           | 1.9                 |
| ET-C1T700                 | ±40                                             | ±40                                              | ±20                                              | ±15                                              | 0.9                 | 2.0                 | 0.5                           | 1.1                 |

<sup>1</sup> When [VERTICAL KEYSTONE] and [HORIZONTAL KEYSTONE] are used simultaneously, correction cannot be made exceeding total of 55°.

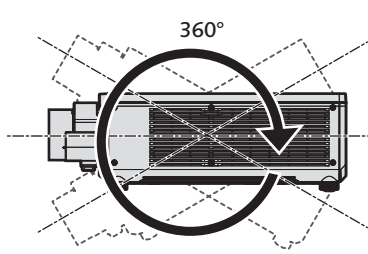
**Note**

- When [GEOMETRY] is used, the focus of the entire screen may be lost as correction increases.
- Make the curved screen a circular arc shape with one part of a perfect circle removed.
- Adjustment range of the [GEOMETRY] items may not match the listed projection range depending on the projection lens. Use this projector within the projection range, otherwise the correction may not work.

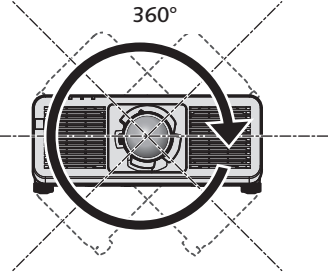
**Installable angle**

Install the projector at an angle within the range shown below.

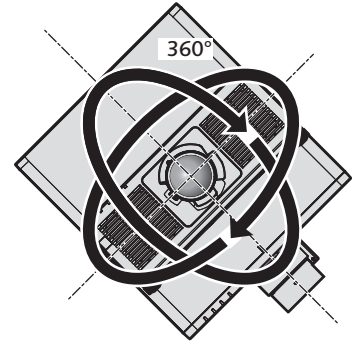
FULL 360-degree projection



Vertical 360-deg.



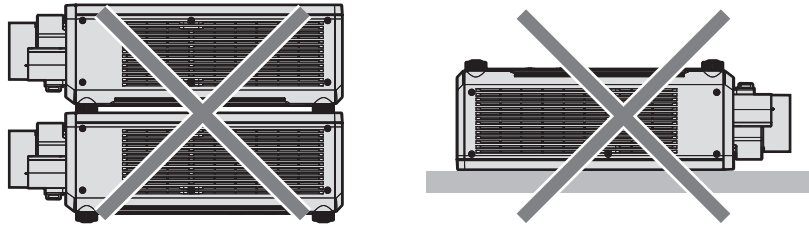
Horizontal 360-deg.



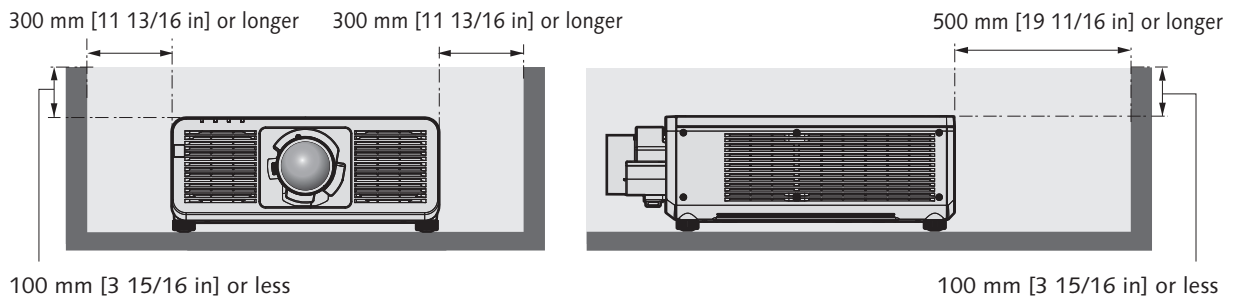
Tilting 360-deg.  
(Vertical and Horizontal combination)

**Notes on projector placement and operation**

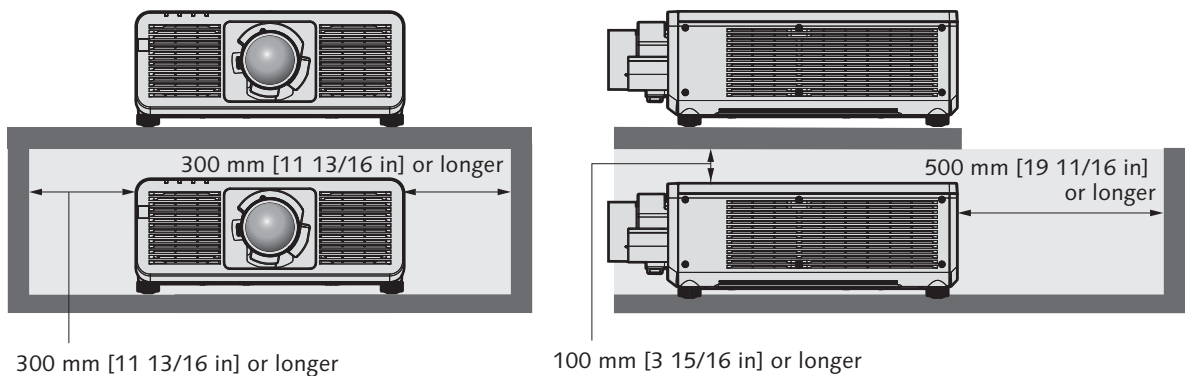
- Do not stack projectors on top of each other.
- Do not use the projector supporting it by the top.



- Do not block the intake/exhaust vents of the projector.
- Prevent hot and cool air from the air conditioning system to blow directly to the intake/exhaust vents of the projector.



- Do not install the projector in a confined space.  
When installing the projector in a confined space, provide air conditioning or ventilation separately.  
Exhaust heat may accumulate when the ventilation is not enough, triggering the protection circuit of the projector.



- When installing and fixing the projector on a ceiling or wall using a mount, make sure that the fixing screw or power cord does not come in contact with the metal section inside the ceiling or wall. Failure to observe this may result in electric shocks.
- Panasonic Connect Co., Ltd. takes no responsibility for any damage to the product caused by an inappropriate choice of location for installing the projector, even if the warranty period of the product has not expired.
- Immediately remove the product that is not in use anymore by asking a qualified technician.

**List of compatible signals**

The following table specifies the video signals compatible with the projector.

For details of SDI signal, refer to "List of single link SDI compatible signals". "List of quad link SDI compatible signals".

This projector supports the signal with ✓ in the compatible signal column.

- The content of the compatible signal column is as follows.

-V: Video signal    -C: Computer signal

| Signal Type     | Signal name (SIGNAL FORMAT) | Resolution (Dots)        | Scanning freq.    |                    | Dot clock freq. (MHz) | Compatible signal |                |                           |
|-----------------|-----------------------------|--------------------------|-------------------|--------------------|-----------------------|-------------------|----------------|---------------------------|
|                 |                             |                          | Horizontal (kHz)  | Vertical (Hz)      |                       | HDMI™             | DisplayPort    | DIGITAL LINK <sup>1</sup> |
| V               | 480/60p                     | 720 x 480                | 31.5              | 59.9               | 27.0                  | ✓                 | —              | ✓                         |
|                 | 576/50p                     | 720 x 576                | 31.3              | 50.0               | 27.0                  | ✓                 | —              | ✓                         |
|                 | 720/60p                     | 1280 x 720               | 45.0              | 60.0 <sup>2</sup>  | 74.3                  | ✓                 | ✓              | ✓                         |
|                 | 720/50p                     | 1280 x 720               | 37.5              | 50.0               | 74.3                  | ✓                 | ✓              | ✓                         |
|                 | 720/120p                    | 1280 x 720               | 90.0              | 120.0 <sup>2</sup> | 148.5                 | ✓                 | ✓              | ✓                         |
|                 | 1080/60i                    | 1920 x 1080i             | 33.8              | 60.0 <sup>2</sup>  | 74.3                  | ✓                 | —              | ✓                         |
|                 | 1080/50i                    | 1920 x 1080i             | 28.1              | 50.0               | 74.3                  | ✓                 | —              | ✓                         |
|                 | 1080/24p                    | 1920 x 1080              | 27.0              | 24.0 <sup>2</sup>  | 74.3                  | ✓                 | ✓              | ✓                         |
|                 | 1080/24sF                   | 1920 x 1080i             | 27.0              | 48.0 <sup>2</sup>  | 74.3                  | ✓                 | —              | ✓                         |
|                 | 1080/25p                    | 1920 x 1080              | 28.1              | 25.0               | 74.3                  | ✓                 | ✓              | ✓                         |
|                 | 1080/30p                    | 1920 x 1080              | 33.8              | 30.0 <sup>2</sup>  | 74.3                  | ✓                 | ✓              | ✓                         |
|                 | 1080/60p                    | 1920 x 1080              | 67.5              | 60.0 <sup>2</sup>  | 148.5                 | ✓                 | ✓              | ✓                         |
|                 | 1080/50p                    | 1920 x 1080              | 56.3              | 50.0               | 148.5                 | ✓                 | ✓              | ✓                         |
|                 | 1080/120p                   | 1920 x 1080              | 135.0             | 120.0 <sup>2</sup> | 297.0                 | ✓                 | ✓              | ✓                         |
|                 | 2K/24p                      | 2048 x 1080              | 27.0              | 24.0 <sup>2</sup>  | 74.3                  | ✓                 | ✓              | ✓                         |
|                 | 2K/25p                      | 2048 x 1080              | 28.1              | 25.0               | 74.3                  | ✓                 | ✓              | ✓                         |
|                 | 2K/30p                      | 2048 x 1080              | 33.8              | 30.0 <sup>2</sup>  | 74.3                  | ✓                 | ✓              | ✓                         |
|                 | 2K/48p                      | 2048 x 1080              | 54.0              | 48.0 <sup>2</sup>  | 148.5                 | ✓                 | ✓              | ✓                         |
|                 | 2K/60p                      | 2048 x 1080              | 67.5              | 60.0 <sup>2</sup>  | 148.5                 | ✓                 | ✓              | ✓                         |
|                 | 2K/50p                      | 2048 x 1080              | 56.3              | 50.0               | 148.5                 | ✓                 | ✓              | ✓                         |
|                 | 2560 x 1080/60p             | 2560 x 1080              | 66.0              | 60.0 <sup>2</sup>  | 198.0                 | ✓                 | ✓              | ✓                         |
|                 | 2560 x 1080/50p             | 2560 x 1080              | 56.3              | 50.0               | 185.6                 | ✓                 | ✓              | ✓                         |
|                 | 3840 x 2160/24p             | 3840 x 2160              | 54.0              | 24.0 <sup>2</sup>  | 297.0                 | ✓                 | ✓              | ✓                         |
|                 | 3840 x 2160/25p             | 3840 x 2160              | 56.3              | 25.0               | 297.0                 | ✓                 | ✓              | ✓                         |
|                 | 3840 x 2160/30p             | 3840 x 2160              | 67.5              | 30.0 <sup>2</sup>  | 297.0                 | ✓                 | ✓              | ✓                         |
|                 | 3840 x 2160/60p             | 3840 x 2160              | 135.0             | 60.0 <sup>2</sup>  | 297.0                 | ✓ <sup>3</sup>    | —              | ✓ <sup>3</sup>            |
|                 |                             | 3840 x 2160              | 135.0             | 60.0 <sup>2</sup>  | 594.0                 | ✓                 | ✓              | —                         |
|                 | 3840 x 2160/50p             | 3840 x 2160              | 112.5             | 50.0               | 297.0                 | ✓ <sup>3</sup>    | —              | ✓ <sup>3</sup>            |
|                 |                             | 3840 x 2160              | 112.5             | 50.0               | 594.0                 | ✓                 | ✓              | —                         |
|                 | 4096 x 2160/24p             | 4096 x 2160              | 54.0              | 24.0 <sup>2</sup>  | 297.0                 | ✓                 | ✓              | ✓                         |
|                 | 4096 x 2160/25p             | 4096 x 2160              | 56.3              | 25.0               | 297.0                 | ✓                 | ✓              | ✓                         |
|                 | 4096 x 2160/30p             | 4096 x 2160              | 67.5              | 30.0 <sup>2</sup>  | 297.0                 | ✓                 | ✓              | ✓                         |
|                 | 4096 x 2160/60p             | 4096 x 2160              | 135.0             | 60.0 <sup>2</sup>  | 297.0                 | ✓ <sup>3</sup>    | —              | ✓ <sup>3</sup>            |
| 4096 x 2160     |                             | 135.0                    | 60.0 <sup>2</sup> | 594.0              | ✓                     | ✓                 | —              |                           |
| 4096 x 2160/50p | 4096 x 2160                 | 112.5                    | 50.0              | 297.0              | ✓ <sup>3</sup>        | —                 | ✓ <sup>3</sup> |                           |
|                 | 4096 x 2160                 | 112.5                    | 50.0              | 594.0              | ✓                     | ✓                 | —              |                           |
| C               | 640 x 480/60                | 640 x 480                | 31.5              | 59.9               | 25.2                  | ✓                 | ✓              | ✓                         |
|                 | 1024 x 768/50               | 1024 x 768               | 39.6              | 50.0               | 51.9                  | ✓                 | ✓              | ✓                         |
|                 | 1024 x 768/60               | 1024 x 768               | 48.4              | 60.0               | 65.0                  | ✓                 | ✓              | ✓                         |
|                 | 1280 x 800/50               | 1280 x 800               | 41.3              | 50.0               | 68.0                  | ✓                 | ✓              | ✓                         |
|                 | 1280 x 800/60               | 1280 x 800               | 49.7              | 59.8               | 83.5                  | ✓                 | ✓              | ✓                         |
|                 | 1280 x 1024/50              | 1280 x 1024              | 52.4              | 50.0               | 88.0                  | ✓                 | —              | ✓                         |
|                 | 1280 x 1024/60              | 1280 x 1024              | 64.0              | 60.0               | 108.0                 | ✓                 | —              | ✓                         |
|                 | 1366 x 768/50               | 1366 x 768               | 39.6              | 49.9               | 69.0                  | ✓                 | —              | ✓                         |
|                 | 1366 x 768/60               | 1366 x 768               | 47.7              | 59.8               | 85.5                  | ✓                 | —              | ✓                         |
|                 | 1400 x 1050/50              | 1400 x 1050              | 54.1              | 50.0               | 99.9                  | ✓                 | ✓              | ✓                         |
|                 | 1400 x 1050/60              | 1400 x 1050              | 65.2              | 60.0               | 122.6                 | ✓                 | ✓              | ✓                         |
|                 | 1440 x 900/50               | 1440 x 900               | 46.3              | 49.9               | 86.8                  | ✓                 | —              | ✓                         |
|                 | 1440 x 900/60               | 1440 x 900               | 55.9              | 59.9               | 106.5                 | ✓                 | —              | ✓                         |
|                 | 1600 x 900/50               | 1600 x 900               | 46.4              | 49.9               | 96.5                  | ✓                 | ✓              | ✓                         |
|                 | 1600 x 900/60               | 1600 x 900               | 55.9              | 60.0               | 119.0                 | ✓                 | ✓              | ✓                         |
|                 | 1600 x 1200/50              | 1600 x 1200              | 61.8              | 49.9               | 131.5                 | ✓                 | ✓              | ✓                         |
|                 | 1600 x 1200/60              | 1600 x 1200              | 75.0              | 60.0               | 162.0                 | ✓                 | ✓              | ✓                         |
|                 | 1680 x 1050/50              | 1680 x 1050              | 54.1              | 50.0               | 119.5                 | ✓                 | —              | ✓                         |
|                 | 1680 x 1050/60              | 1680 x 1050              | 65.3              | 60.0               | 146.3                 | ✓                 | —              | ✓                         |
|                 | 1920 x 1080/240             | 1920 x 1080              | 291.6             | 240.0              | 583.2                 | ✓                 | ✓              | —                         |
|                 | 1920 x 1200/50              | 1920 x 1200              | 61.8              | 49.9               | 158.3                 | ✓                 | ✓              | ✓                         |
|                 | 1920 x 1200/60RB            | 1920 x 1200 <sup>4</sup> | 74.0              | 60.0               | 154.0                 | ✓                 | ✓              | ✓                         |
|                 | 2560 x 1440/50              | 2560 x 1440              | 74.1              | 50.0               | 256.3                 | ✓                 | ✓              | ✓                         |
| 2560 x 1440/60  | 2560 x 1440 <sup>4</sup>    | 88.8                     | 60.0              | 241.5              | ✓                     | ✓                 | ✓              |                           |
| 2560 x 1600/50  | 2560 x 1600                 | 82.4                     | 50.0              | 286.0              | ✓                     | ✓                 | ✓              |                           |

| Signal Type | Signal name (SIGNAL FORMAT) | Resolution (Dots)        | Scanning freq.   |               | Dot clock freq. (MHz) | Compatible signal |             |                           |
|-------------|-----------------------------|--------------------------|------------------|---------------|-----------------------|-------------------|-------------|---------------------------|
|             |                             |                          | Horizontal (kHz) | Vertical (Hz) |                       | HDMI™             | DisplayPort | DIGITAL LINK <sup>1</sup> |
| C           | 2560 x 1600/60              | 2560 x 1600 <sup>4</sup> | 98.7             | 60.0          | 268.5                 | ✓                 | ✓           | ✓                         |
|             | 3440 x 1440/50              | 3440 x 1440 <sup>4</sup> | 73.7             | 50.0          | 259.4                 | ✓                 | ✓           | –                         |
|             | 3440 x 1440/60              | 3440 x 1440 <sup>4</sup> | 88.9             | 60.0          | 312.8                 | ✓                 | ✓           | –                         |
|             | 3840 x 2400/30              | 3840 x 2400 <sup>4</sup> | 73.0             | 30.0          | 286.2                 | ✓                 | ✓           | ✓                         |
|             | 3840 x 2400/50              | 3840 x 2400 <sup>4</sup> | 122.9            | 50.0          | 481.6                 | ✓                 | ✓           | –                         |
|             | 3840 x 2400/60              | 3840 x 2400 <sup>4</sup> | 148.1            | 60.0          | 592.5                 | ✓                 | ✓           | –                         |

- 1 Requires TY-SB01DL Interface Board for DIGITAL LINK.
- 2 The signal with 1/1.001x vertical scanning frequency is also supported.
- 3 YPbPr 4:2:0 format only
- 4 VESA CVT-RB (Reduced Blanking)-compliant

#### Note

- A signal with a different resolution, including SDI signal, is displayed converted to the number of display dots. The number of display dots is as follows.
  - When the [QUAD PIXEL DRIVE] is set to [ON]: 3840 x 2400
  - When the [QUAD PIXEL DRIVE] is set to [OFF]: 1920 x 1200
- The "i" at the end of the resolution indicates an interlaced signal.
- When interlaced signals are connected, flickering may occur on the projected image.

## List of Plug and play compatible signals

The following table specifies the video signals compatible with plug and play.

Signal with ✓ in the plug and play compatible signal column is the signal described in the EDID (extended display identification data) of the projector.

For the signal without ✓ in the plug and play compatible signal column, the resolution may not be selected on the computer even if the projector is supporting it.

| Signal name<br>(SIGNAL<br>FORMAT) | Resolution<br>(Dots)     | Scanning freq.      |                    | Dot clock<br>freq.<br>(MHz) | Plug and play compatible signal |        |    |                     |        |    |                           |                     |    |
|-----------------------------------|--------------------------|---------------------|--------------------|-----------------------------|---------------------------------|--------|----|---------------------|--------|----|---------------------------|---------------------|----|
|                                   |                          | Horizontal<br>(kHz) | Vertical<br>(Hz)   |                             | HDMI™                           |        |    | DisplayPort         |        |    | DIGITAL LINK <sup>1</sup> |                     |    |
|                                   |                          |                     |                    |                             | 4K/60p <sup>2</sup>             | 4K/30p | 2K | 4K/60p <sup>2</sup> | 4K/30p | 2K | 4K/60p                    | 4K/30p <sup>3</sup> | 2K |
| 480/60p                           | 720 x 480                | 31.5                | 59.9               | 27.0                        | ✓                               | ✓      | ✓  | –                   | –      | –  | ✓                         | ✓                   | ✓  |
| 576/50p                           | 720 x 576                | 31.3                | 50.0               | 27.0                        | ✓                               | ✓      | ✓  | –                   | –      | –  | ✓                         | ✓                   | ✓  |
| 720/60p                           | 1280 x 720               | 45.0                | 60.0 <sup>4</sup>  | 74.3                        | ✓                               | ✓      | ✓  | ✓                   | ✓      | ✓  | ✓                         | ✓                   | ✓  |
| 720/50p                           | 1280 x 720               | 37.5                | 50.0               | 74.3                        | ✓                               | ✓      | ✓  | ✓                   | ✓      | ✓  | ✓                         | ✓                   | ✓  |
| 720/120p                          | 1280 x 720               | 90.0                | 120.0 <sup>4</sup> | 148.5                       | –                               | –      | –  | –                   | –      | –  | –                         | –                   | –  |
| 1080/60i                          | 1920 x 1080i             | 33.8                | 60.0 <sup>4</sup>  | 74.3                        | ✓                               | ✓      | ✓  | –                   | –      | –  | ✓                         | ✓                   | ✓  |
| 1080/50i                          | 1920 x 1080i             | 28.1                | 50.0               | 74.3                        | ✓                               | ✓      | ✓  | –                   | –      | –  | ✓                         | ✓                   | ✓  |
| 1080/24p                          | 1920 x 1080              | 27.0                | 24.0 <sup>4</sup>  | 74.3                        | ✓                               | ✓      | ✓  | ✓                   | ✓      | ✓  | ✓                         | ✓                   | ✓  |
| 1080/24sF                         | 1920 x 1080i             | 27.0                | 48.0 <sup>4</sup>  | 74.3                        | –                               | –      | –  | –                   | –      | –  | –                         | –                   | –  |
| 1080/25p                          | 1920 x 1080              | 28.1                | 25.0               | 74.3                        | ✓                               | ✓      | ✓  | ✓                   | ✓      | ✓  | ✓                         | ✓                   | ✓  |
| 1080/30p                          | 1920 x 1080              | 33.8                | 30.0 <sup>4</sup>  | 74.3                        | ✓                               | ✓      | ✓  | ✓                   | ✓      | ✓  | ✓                         | ✓                   | ✓  |
| 1080/60p                          | 1920 x 1080              | 67.5                | 60.0 <sup>4</sup>  | 148.5                       | ✓                               | ✓      | ✓  | ✓                   | ✓      | ✓  | ✓                         | ✓                   | ✓  |
| 1080/50p                          | 1920 x 1080              | 56.3                | 50.0               | 148.5                       | ✓                               | ✓      | ✓  | ✓                   | ✓      | ✓  | ✓                         | ✓                   | ✓  |
| 1080/120p                         | 1920 x 1080              | 135.0               | 120.0 <sup>4</sup> | 297.0                       | ✓                               | ✓      | –  | ✓                   | ✓      | –  | ✓                         | ✓                   | –  |
| 2K/24p                            | 2048 x 1080              | 27.0                | 24.0 <sup>4</sup>  | 74.3                        | –                               | –      | –  | –                   | –      | –  | –                         | –                   | –  |
| 2K/25p                            | 2048 x 1080              | 28.1                | 25.0               | 74.3                        | –                               | –      | –  | –                   | –      | –  | –                         | –                   | –  |
| 2K/30p                            | 2048 x 1080              | 33.8                | 30.0 <sup>4</sup>  | 74.3                        | –                               | –      | –  | –                   | –      | –  | –                         | –                   | –  |
| 2K/48p                            | 2048 x 1080              | 54.0                | 48.0 <sup>4</sup>  | 148.5                       | –                               | –      | –  | –                   | –      | –  | –                         | –                   | –  |
| 2K/60p                            | 2048 x 1080              | 67.5                | 60.0 <sup>4</sup>  | 148.5                       | –                               | –      | –  | –                   | –      | –  | –                         | –                   | –  |
| 2K/50p                            | 2048 x 1080              | 56.3                | 50.0               | 148.5                       | –                               | –      | –  | –                   | –      | –  | –                         | –                   | –  |
| 2560 x 1080/60p                   | 2560 x 1080              | 66.0                | 60.0 <sup>4</sup>  | 198.0                       | ✓                               | ✓      | –  | ✓                   | ✓      | –  | ✓                         | ✓                   | –  |
| 2560 x 1080/50p                   | 2560 x 1080              | 56.3                | 50.0               | 185.6                       | ✓                               | ✓      | –  | ✓                   | ✓      | –  | ✓                         | ✓                   | –  |
| 3840 x 2160/24p                   | 3840 x 2160              | 54.0                | 24.0 <sup>4</sup>  | 297.0                       | ✓                               | ✓      | –  | ✓                   | ✓      | –  | ✓                         | ✓                   | –  |
| 3840 x 2160/25p                   | 3840 x 2160              | 56.3                | 25.0               | 297.0                       | ✓                               | ✓      | –  | ✓                   | ✓      | –  | ✓                         | ✓                   | –  |
| 3840 x 2160/30p                   | 3840 x 2160              | 67.5                | 30.0 <sup>4</sup>  | 297.0                       | ✓                               | ✓      | –  | ✓                   | ✓      | –  | ✓                         | ✓                   | –  |
| 3840 x 2160/60p                   | 3840 x 2160              | 135.0               | 60.0 <sup>4</sup>  | 297.0                       | ✓ <sup>5</sup>                  | –      | –  | –                   | –      | –  | ✓ <sup>5</sup>            | –                   | –  |
|                                   | 3840 x 2160              | 135.0               | 60.0 <sup>4</sup>  | 594.0                       | ✓                               | –      | –  | ✓                   | –      | –  | –                         | –                   | –  |
| 3840 x 2160/50p                   | 3840 x 2160              | 112.5               | 50.0               | 297.0                       | ✓ <sup>5</sup>                  | –      | –  | –                   | –      | –  | ✓ <sup>5</sup>            | –                   | –  |
|                                   | 3840 x 2160              | 112.5               | 50.0               | 594.0                       | ✓                               | –      | –  | ✓                   | –      | –  | –                         | –                   | –  |
| 4096 x 2160/24p                   | 4096 x 2160              | 54.0                | 24.0 <sup>4</sup>  | 297.0                       | ✓                               | ✓      | –  | ✓                   | ✓      | –  | ✓                         | ✓                   | –  |
| 4096 x 2160/25p                   | 4096 x 2160              | 56.3                | 25.0               | 297.0                       | ✓                               | ✓      | –  | ✓                   | ✓      | –  | ✓                         | ✓                   | –  |
| 4096 x 2160/30p                   | 4096 x 2160              | 67.5                | 30.0 <sup>4</sup>  | 297.0                       | ✓                               | ✓      | –  | ✓                   | ✓      | –  | ✓                         | ✓                   | –  |
| 4096 x 2160/60p                   | 4096 x 2160              | 135.0               | 60.0 <sup>4</sup>  | 297.0                       | ✓ <sup>5</sup>                  | –      | –  | –                   | –      | –  | ✓ <sup>5</sup>            | –                   | –  |
|                                   | 4096 x 2160              | 135.0               | 60.0 <sup>4</sup>  | 594.0                       | ✓                               | –      | –  | ✓                   | –      | –  | –                         | –                   | –  |
| 4096 x 2160/50p                   | 4096 x 2160              | 112.5               | 50.0               | 297.0                       | ✓ <sup>5</sup>                  | –      | –  | –                   | –      | –  | ✓ <sup>5</sup>            | –                   | –  |
|                                   | 4096 x 2160              | 112.5               | 50.0               | 594.0                       | ✓                               | –      | –  | ✓                   | –      | –  | –                         | –                   | –  |
| 640 x 480/60                      | 640 x 480                | 31.5                | 59.9               | 25.2                        | ✓                               | ✓      | ✓  | ✓                   | ✓      | ✓  | ✓                         | ✓                   | ✓  |
| 1024 x 768/50                     | 1024 x 768               | 39.6                | 50.0               | 51.9                        | –                               | –      | –  | –                   | –      | –  | –                         | –                   | –  |
| 1024 x 768/60                     | 1024 x 768               | 48.4                | 60.0               | 65.0                        | ✓                               | ✓      | ✓  | ✓                   | ✓      | ✓  | ✓                         | ✓                   | ✓  |
| 1280 x 800/50                     | 1280 x 800               | 41.3                | 50.0               | 68.0                        | –                               | –      | –  | –                   | –      | –  | –                         | –                   | –  |
| 1280 x 800/60                     | 1280 x 800               | 49.7                | 59.8               | 83.5                        | –                               | –      | –  | –                   | –      | –  | –                         | –                   | –  |
| 1280 x 1024/50                    | 1280 x 1024              | 52.4                | 50.0               | 88.0                        | –                               | –      | –  | –                   | –      | –  | –                         | –                   | –  |
| 1280 x 1024/60                    | 1280 x 1024              | 64.0                | 60.0               | 108.0                       | –                               | –      | –  | –                   | –      | –  | –                         | –                   | –  |
| 1366 x 768/50                     | 1366 x 768               | 39.6                | 49.9               | 69.0                        | –                               | –      | –  | –                   | –      | –  | –                         | –                   | –  |
| 1366 x 768/60                     | 1366 x 768               | 47.7                | 59.8               | 85.5                        | –                               | –      | –  | –                   | –      | –  | –                         | –                   | –  |
| 1400 x 1050/50                    | 1400 x 1050              | 54.1                | 50.0               | 99.9                        | –                               | –      | –  | –                   | –      | –  | –                         | –                   | –  |
| 1400 x 1050/60                    | 1400 x 1050              | 65.2                | 60.0               | 122.6                       | ✓                               | ✓      | ✓  | ✓                   | ✓      | ✓  | ✓                         | ✓                   | ✓  |
| 1440 x 900/50                     | 1440 x 900               | 46.3                | 49.9               | 86.8                        | –                               | –      | –  | –                   | –      | –  | –                         | –                   | –  |
| 1440 x 900/60                     | 1440 x 900               | 55.9                | 59.9               | 106.5                       | –                               | –      | –  | –                   | –      | –  | –                         | –                   | –  |
| 1600 x 900/50                     | 1600 x 900               | 46.4                | 49.9               | 96.5                        | –                               | –      | –  | –                   | –      | –  | –                         | –                   | –  |
| 1600 x 900/60                     | 1600 x 900               | 55.9                | 60.0               | 119.0                       | ✓                               | ✓      | ✓  | ✓                   | ✓      | ✓  | ✓                         | ✓                   | ✓  |
| 1600 x 1200/50                    | 1600 x 1200              | 61.8                | 49.9               | 131.5                       | –                               | –      | –  | –                   | –      | –  | –                         | –                   | –  |
| 1600 x 1200/60                    | 1600 x 1200              | 75.0                | 60.0               | 162.0                       | ✓                               | ✓      | ✓  | ✓                   | ✓      | ✓  | ✓                         | ✓                   | ✓  |
| 1680 x 1050/50                    | 1680 x 1050              | 54.1                | 50.0               | 119.5                       | –                               | –      | –  | –                   | –      | –  | –                         | –                   | –  |
| 1680 x 1050/60                    | 1680 x 1050              | 65.3                | 60.0               | 146.3                       | –                               | –      | –  | –                   | –      | –  | –                         | –                   | –  |
| 1920 x 1080/240                   | 1920 x 1080              | 291.6               | 240.0              | 583.2                       | ✓                               | –      | –  | ✓                   | –      | –  | –                         | –                   | –  |
| 1920 x 1200/50                    | 1920 x 1200              | 61.8                | 49.9               | 158.3                       | –                               | –      | –  | –                   | –      | –  | –                         | –                   | –  |
| 1920 x 1200/60RB                  | 1920 x 1200 <sup>6</sup> | 74.0                | 60.0               | 154.0                       | ✓                               | ✓      | ✓  | ✓                   | ✓      | ✓  | ✓                         | ✓                   | ✓  |
| 2560 x 1440/50                    | 2560 x 1440              | 74.1                | 50.0               | 256.3                       | –                               | –      | –  | –                   | –      | –  | –                         | –                   | –  |
| 2560 x 1440/60                    | 2560 x 1440 <sup>6</sup> | 88.8                | 60.0               | 241.5                       | –                               | –      | –  | –                   | –      | –  | –                         | –                   | –  |
| 2560 x 1600/50                    | 2560 x 1600              | 82.4                | 50.0               | 286.0                       | –                               | –      | –  | –                   | –      | –  | –                         | –                   | –  |



| Signal name<br>(SIGNAL<br>FORMAT) | Resolution<br>(Dots)     | Scanning freq.      |                  | Dot clock<br>freq.<br>(MHz) | Plug and play compatible signal |        |    |                     |        |    |                           |                     |    |
|-----------------------------------|--------------------------|---------------------|------------------|-----------------------------|---------------------------------|--------|----|---------------------|--------|----|---------------------------|---------------------|----|
|                                   |                          | Horizontal<br>(kHz) | Vertical<br>(Hz) |                             | HDMI™                           |        |    | DisplayPort         |        |    | DIGITAL LINK <sup>1</sup> |                     |    |
|                                   |                          |                     |                  |                             | 4K/60p <sup>2</sup>             | 4K/30p | 2K | 4K/60p <sup>2</sup> | 4K/30p | 2K | 4K/60p                    | 4K/30p <sup>3</sup> | 2K |
| 2560 x 1600/60                    | 2560 x 1600 <sup>6</sup> | 98.7                | 60.0             | 268.5                       | ✓                               | ✓      | –  | ✓                   | ✓      | –  | ✓                         | ✓                   | –  |
| 3440 x 1440/50                    | 3440 x 1440 <sup>6</sup> | 73.7                | 50.0             | 259.4                       | –                               | –      | –  | –                   | –      | –  | –                         | –                   | –  |
| 3440 x 1440/60                    | 3440 x 1440 <sup>6</sup> | 88.9                | 60.0             | 312.8                       | –                               | –      | –  | –                   | –      | –  | –                         | –                   | –  |
| 3840 x 2400/30                    | 3840 x 2400 <sup>6</sup> | 73.0                | 30.0             | 286.2                       | –                               | –      | –  | –                   | –      | –  | –                         | –                   | –  |
| 3840 x 2400/50                    | 3840 x 2400 <sup>6</sup> | 122.9               | 50.0             | 481.6                       | –                               | –      | –  | –                   | –      | –  | –                         | –                   | –  |
| 3840 x 2400/60                    | 3840 x 2400 <sup>6</sup> | 148.1               | 60.0             | 592.5                       | ✓                               | –      | –  | ✓                   | –      | –  | –                         | –                   | –  |

- 1 Requires TY-SB01DL Interface Board for DIGITAL LINK.
- 2 4K/60p indicates 4K/60p/SDR and 4K/60p/HDR.
- 3 4K/30p indicates 4K/30p/SDR and 4K/30p/HDR.
- 4 The signal with 1/1.001x vertical scanning frequency is also supported.
- 5 YPbPr 4:2:0 format only
- 6 VESA CVT-RB (Reduced Blanking)-compliant

#### Note

- A signal with a different resolution, including SDI signal, is displayed converted to the number of display dots. The number of display dots is as follows.
  - When the [QUAD PIXEL DRIVE] is set to [ON]: 3840 x 2400
  - When the [QUAD PIXEL DRIVE] is set to [OFF]: 1920 x 1200
- The "i" at the end of the resolution indicates an interlaced signal.
- When interlaced signals are connected, flickering may occur on the projected image.

**List of Single link SDI compatible signals**

The following table specifies the single link SDI signals that the projector can project.

This is supported when the optional 12G-SDI Terminal Board (Model No.: TY-SB01QS) or the optional Function Board for 12G-SDI Optical (Model No.: TY-SB01FB) is installed in the slot.

- The content of the 4K division column is as follows.  
-IL: Interleave (transmission format of 2-Sample Interleave Division)
- The content of the signal type column is as follows.  
-V: Video signal

| Signal Type         | Signal name (SIGNAL FORMAT) | Resolution (Dots) | Scanning freq.    |                   | Dot clock freq. (MHz) | 4K division    | Format         | Color format | Sampling    |
|---------------------|-----------------------------|-------------------|-------------------|-------------------|-----------------------|----------------|----------------|--------------|-------------|
|                     |                             |                   | Horizontal (kHz)  | Vertical (Hz)     |                       |                |                |              |             |
| V                   | 720/60p <sup>1</sup>        | 1280 x 720        | 45.0              | 60.0 <sup>2</sup> | 74.3                  | –              | HD-SDI         | YPbPr        | 4:2:2 10bit |
|                     | 720/50p <sup>1</sup>        | 1280 x 720        | 37.5              | 50.0              | 74.3                  | –              | HD-SDI         | YPbPr        | 4:2:2 10bit |
|                     | 1080/60i                    | 1920 x 1080i      | 33.8              | 60.0 <sup>2</sup> | 74.3                  | –              | HD-SDI         | YPbPr        | 4:2:2 10bit |
|                     |                             | 1920 x 1080i      | 33.8              | 60.0 <sup>2</sup> | 74.3                  | –              | 3G-SDI Level-A | RGB          | 4:4:4 10bit |
|                     |                             | 1920 x 1080i      | 33.8              | 60.0 <sup>2</sup> | 74.3                  | –              | 3G-SDI Level-B | RGB          | 4:4:4 10bit |
|                     |                             | 1920 x 1080i      | 33.8              | 60.0 <sup>2</sup> | 74.3                  | –              | 3G-SDI Level-A | RGB          | 4:4:4 12bit |
|                     |                             | 1920 x 1080i      | 33.8              | 60.0 <sup>2</sup> | 74.3                  | –              | 3G-SDI Level-B | RGB          | 4:4:4 12bit |
|                     | 1080/50i                    | 1920 x 1080i      | 28.1              | 50.0              | 74.3                  | –              | HD-SDI         | YPbPr        | 4:2:2 10bit |
|                     |                             | 1920 x 1080i      | 28.1              | 50.0              | 74.3                  | –              | 3G-SDI Level-A | RGB          | 4:4:4 10bit |
|                     |                             | 1920 x 1080i      | 28.1              | 50.0              | 74.3                  | –              | 3G-SDI Level-B | RGB          | 4:4:4 10bit |
|                     |                             | 1920 x 1080i      | 28.1              | 50.0              | 74.3                  | –              | 3G-SDI Level-A | RGB          | 4:4:4 12bit |
|                     |                             | 1920 x 1080i      | 28.1              | 50.0              | 74.3                  | –              | 3G-SDI Level-B | RGB          | 4:4:4 12bit |
|                     | 1080/24p                    | 1920 x 1080       | 27.0              | 24.0 <sup>2</sup> | 74.3                  | –              | HD-SDI         | YPbPr        | 4:2:2 10bit |
|                     |                             | 1920 x 1080       | 27.0              | 24.0 <sup>2</sup> | 74.3                  | –              | 3G-SDI Level-A | RGB          | 4:4:4 10bit |
|                     |                             | 1920 x 1080       | 27.0              | 24.0 <sup>2</sup> | 74.3                  | –              | 3G-SDI Level-B | RGB          | 4:4:4 10bit |
|                     |                             | 1920 x 1080       | 27.0              | 24.0 <sup>2</sup> | 74.3                  | –              | 3G-SDI Level-A | RGB          | 4:4:4 12bit |
|                     |                             | 1920 x 1080       | 27.0              | 24.0 <sup>2</sup> | 74.3                  | –              | 3G-SDI Level-B | RGB          | 4:4:4 12bit |
|                     | 1080/24sF <sup>1</sup>      | 1920 x 1080i      | 27.0              | 48.0 <sup>2</sup> | 74.3                  | –              | HD-SDI         | YPbPr        | 4:2:2 10bit |
|                     |                             | 1920 x 1080i      | 27.0              | 48.0 <sup>2</sup> | 74.3                  | –              | 3G-SDI Level-A | RGB          | 4:4:4 10bit |
|                     |                             | 1920 x 1080i      | 27.0              | 48.0 <sup>2</sup> | 74.3                  | –              | 3G-SDI Level-B | RGB          | 4:4:4 10bit |
|                     |                             | 1920 x 1080i      | 27.0              | 48.0 <sup>2</sup> | 74.3                  | –              | 3G-SDI Level-A | RGB          | 4:4:4 12bit |
|                     |                             | 1920 x 1080i      | 27.0              | 48.0 <sup>2</sup> | 74.3                  | –              | 3G-SDI Level-B | RGB          | 4:4:4 12bit |
|                     | 1080/25p                    | 1920 x 1080       | 28.1              | 25.0              | 74.3                  | –              | HD-SDI         | YPbPr        | 4:2:2 10bit |
|                     |                             | 1920 x 1080       | 28.1              | 25.0              | 74.3                  | –              | 3G-SDI Level-A | RGB          | 4:4:4 10bit |
|                     |                             | 1920 x 1080       | 28.1              | 25.0              | 74.3                  | –              | 3G-SDI Level-B | RGB          | 4:4:4 10bit |
|                     |                             | 1920 x 1080       | 28.1              | 25.0              | 74.3                  | –              | 3G-SDI Level-A | RGB          | 4:4:4 12bit |
|                     |                             | 1920 x 1080       | 28.1              | 25.0              | 74.3                  | –              | 3G-SDI Level-B | RGB          | 4:4:4 12bit |
|                     | 1080/30p                    | 1920 x 1080       | 33.8              | 30.0 <sup>2</sup> | 74.3                  | –              | HD-SDI         | YPbPr        | 4:2:2 10bit |
|                     |                             | 1920 x 1080       | 33.8              | 30.0 <sup>2</sup> | 74.3                  | –              | 3G-SDI Level-A | RGB          | 4:4:4 10bit |
|                     |                             | 1920 x 1080       | 33.8              | 30.0 <sup>2</sup> | 74.3                  | –              | 3G-SDI Level-B | RGB          | 4:4:4 10bit |
|                     |                             | 1920 x 1080       | 33.8              | 30.0 <sup>2</sup> | 74.3                  | –              | 3G-SDI Level-A | RGB          | 4:4:4 12bit |
|                     |                             | 1920 x 1080       | 33.8              | 30.0 <sup>2</sup> | 74.3                  | –              | 3G-SDI Level-B | RGB          | 4:4:4 12bit |
|                     | 1080/60p                    | 1920 x 1080       | 67.5              | 60.0 <sup>2</sup> | 148.5                 | –              | 3G-SDI Level-A | YPbPr        | 4:2:2 10bit |
|                     |                             | 1920 x 1080       | 67.5              | 60.0 <sup>2</sup> | 148.5                 | –              | 3G-SDI Level-B | YPbPr        | 4:2:2 10bit |
|                     | 1080/50p                    | 1920 x 1080       | 56.3              | 50.0              | 148.5                 | –              | 3G-SDI Level-A | YPbPr        | 4:2:2 10bit |
|                     |                             | 1920 x 1080       | 56.3              | 50.0              | 148.5                 | –              | 3G-SDI Level-B | YPbPr        | 4:2:2 10bit |
|                     | 2K/24p                      | 2048 x 1080       | 27.0              | 24.0 <sup>2</sup> | 74.3                  | –              | 3G-SDI Level-A | RGB          | 4:4:4 10bit |
|                     |                             | 2048 x 1080       | 27.0              | 24.0 <sup>2</sup> | 74.3                  | –              | 3G-SDI Level-B | RGB          | 4:4:4 10bit |
|                     |                             | 2048 x 1080       | 27.0              | 24.0 <sup>2</sup> | 74.3                  | –              | 3G-SDI Level-A | RGB          | 4:4:4 12bit |
|                     |                             | 2048 x 1080       | 27.0              | 24.0 <sup>2</sup> | 74.3                  | –              | 3G-SDI Level-B | RGB          | 4:4:4 12bit |
|                     |                             | 2048 x 1080       | 28.1              | 25.0              | 74.3                  | –              | 3G-SDI Level-A | RGB          | 4:4:4 10bit |
|                     | 2K/25p                      | 2048 x 1080       | 28.1              | 25.0              | 74.3                  | –              | 3G-SDI Level-B | RGB          | 4:4:4 10bit |
|                     |                             | 2048 x 1080       | 28.1              | 25.0              | 74.3                  | –              | 3G-SDI Level-A | RGB          | 4:4:4 12bit |
|                     |                             | 2048 x 1080       | 28.1              | 25.0              | 74.3                  | –              | 3G-SDI Level-B | RGB          | 4:4:4 12bit |
|                     | 2K/30p                      | 2048 x 1080       | 33.8              | 30.0 <sup>2</sup> | 74.3                  | –              | 3G-SDI Level-A | RGB          | 4:4:4 10bit |
|                     |                             | 2048 x 1080       | 33.8              | 30.0 <sup>2</sup> | 74.3                  | –              | 3G-SDI Level-B | RGB          | 4:4:4 10bit |
|                     |                             | 2048 x 1080       | 33.8              | 30.0 <sup>2</sup> | 74.3                  | –              | 3G-SDI Level-A | RGB          | 4:4:4 12bit |
|                     |                             | 2048 x 1080       | 33.8              | 30.0 <sup>2</sup> | 74.3                  | –              | 3G-SDI Level-B | RGB          | 4:4:4 12bit |
| 2K/48p <sup>1</sup> | 2048 x 1080                 | 54.0              | 48.0 <sup>2</sup> | 148.5             | –                     | 3G-SDI Level-A | YPbPr          | 4:2:2 10bit  |             |
|                     | 2048 x 1080                 | 54.0              | 48.0 <sup>2</sup> | 148.5             | –                     | 3G-SDI Level-B | YPbPr          | 4:2:2 10bit  |             |
| 2K/60p              | 2048 x 1080                 | 67.5              | 60.0 <sup>2</sup> | 148.5             | –                     | 3G-SDI Level-A | YPbPr          | 4:2:2 10bit  |             |
|                     | 2048 x 1080                 | 67.5              | 60.0 <sup>2</sup> | 148.5             | –                     | 3G-SDI Level-B | YPbPr          | 4:2:2 10bit  |             |
| 2K/50p              | 2048 x 1080                 | 56.3              | 50.0              | 148.5             | –                     | 3G-SDI Level-A | YPbPr          | 4:2:2 10bit  |             |
|                     | 2048 x 1080                 | 56.3              | 50.0              | 148.5             | –                     | 3G-SDI Level-B | YPbPr          | 4:2:2 10bit  |             |
|                     | 2048 x 1080                 | 56.3              | 50.0              | 148.5             | –                     | 3G-SDI Level-A | YPbPr          | 4:2:2 10bit  |             |
| 3840 x 2160/24p     | 3840 x 2160                 | 54.0              | 24.0 <sup>2</sup> | 297.0             | IL                    | 12G-SDI Type 1 | YPbPr          | 4:2:2 12bit  |             |
|                     | 3840 x 2160                 | 54.0              | 24.0 <sup>2</sup> | 297.0             | IL                    | 12G-SDI Type 1 | YPbPr          | 4:4:4 10bit  |             |
|                     | 3840 x 2160                 | 54.0              | 24.0 <sup>2</sup> | 297.0             | IL                    | 12G-SDI Type 1 | YPbPr          | 4:4:4 12bit  |             |
|                     | 3840 x 2160                 | 54.0              | 24.0 <sup>2</sup> | 297.0             | IL                    | 12G-SDI Type 1 | RGB            | 4:4:4 10bit  |             |
|                     | 3840 x 2160                 | 54.0              | 24.0 <sup>2</sup> | 297.0             | IL                    | 12G-SDI Type 1 | RGB            | 4:4:4 12bit  |             |

| Signal Type | Signal name (SIGNAL FORMAT) | Resolution (Dots) | Scanning freq.   |                   | Dot clock freq. (MHz) | 4K division | Format         | Color format | Sampling    |
|-------------|-----------------------------|-------------------|------------------|-------------------|-----------------------|-------------|----------------|--------------|-------------|
|             |                             |                   | Horizontal (kHz) | Vertical (Hz)     |                       |             |                |              |             |
| V           | 3840 x 2160/25p             | 3840 x 2160       | 56.3             | 25.0              | 297.0                 | IL          | 12G-SDI Type 1 | YPbPr        | 4:2:2 12bit |
|             |                             | 3840 x 2160       | 56.3             | 25.0              | 297.0                 | IL          | 12G-SDI Type 1 | YPbPr        | 4:4:4 10bit |
|             |                             | 3840 x 2160       | 56.3             | 25.0              | 297.0                 | IL          | 12G-SDI Type 1 | YPbPr        | 4:4:4 12bit |
|             |                             | 3840 x 2160       | 56.3             | 25.0              | 297.0                 | IL          | 12G-SDI Type 1 | RGB          | 4:4:4 10bit |
|             | 3840 x 2160/30p             | 3840 x 2160       | 67.5             | 30.0 <sup>2</sup> | 297.0                 | IL          | 12G-SDI Type 1 | YPbPr        | 4:2:2 12bit |
|             |                             | 3840 x 2160       | 67.5             | 30.0 <sup>2</sup> | 297.0                 | IL          | 12G-SDI Type 1 | YPbPr        | 4:4:4 10bit |
|             |                             | 3840 x 2160       | 67.5             | 30.0 <sup>2</sup> | 297.0                 | IL          | 12G-SDI Type 1 | YPbPr        | 4:4:4 12bit |
|             |                             | 3840 x 2160       | 67.5             | 30.0 <sup>2</sup> | 297.0                 | IL          | 12G-SDI Type 1 | RGB          | 4:4:4 10bit |
|             | 3840 x 2160/60p             | 3840 x 2160       | 135.0            | 60.0 <sup>2</sup> | 594.0                 | IL          | 12G-SDI Type 1 | YPbPr        | 4:2:2 10bit |
|             | 3840 x 2160/50p             | 3840 x 2160       | 112.5            | 50.0              | 594.0                 | IL          | 12G-SDI Type 1 | YPbPr        | 4:2:2 10bit |
|             | 4096 x 2160/24p             | 4096 x 2160       | 54.0             | 24.0 <sup>2</sup> | 297.0                 | IL          | 12G-SDI Type 1 | YPbPr        | 4:2:2 12bit |
|             |                             | 4096 x 2160       | 54.0             | 24.0 <sup>2</sup> | 297.0                 | IL          | 12G-SDI Type 1 | YPbPr        | 4:4:4 10bit |
|             |                             | 4096 x 2160       | 54.0             | 24.0 <sup>2</sup> | 297.0                 | IL          | 12G-SDI Type 1 | YPbPr        | 4:4:4 12bit |
|             |                             | 4096 x 2160       | 54.0             | 24.0 <sup>2</sup> | 297.0                 | IL          | 12G-SDI Type 1 | RGB          | 4:4:4 10bit |
|             | 4096 x 2160/25p             | 4096 x 2160       | 56.3             | 25.0              | 297.0                 | IL          | 12G-SDI Type 1 | YPbPr        | 4:2:2 12bit |
|             |                             | 4096 x 2160       | 56.3             | 25.0              | 297.0                 | IL          | 12G-SDI Type 1 | YPbPr        | 4:4:4 10bit |
|             |                             | 4096 x 2160       | 56.3             | 25.0              | 297.0                 | IL          | 12G-SDI Type 1 | YPbPr        | 4:4:4 12bit |
|             |                             | 4096 x 2160       | 56.3             | 25.0              | 297.0                 | IL          | 12G-SDI Type 1 | RGB          | 4:4:4 10bit |
|             | 4096 x 2160/30p             | 4096 x 2160       | 67.5             | 30.0 <sup>2</sup> | 297.0                 | IL          | 12G-SDI Type 1 | YPbPr        | 4:2:2 12bit |
|             |                             | 4096 x 2160       | 67.5             | 30.0 <sup>2</sup> | 297.0                 | IL          | 12G-SDI Type 1 | YPbPr        | 4:4:4 10bit |
|             |                             | 4096 x 2160       | 67.5             | 30.0 <sup>2</sup> | 297.0                 | IL          | 12G-SDI Type 1 | YPbPr        | 4:4:4 12bit |
|             |                             | 4096 x 2160       | 67.5             | 30.0 <sup>2</sup> | 297.0                 | IL          | 12G-SDI Type 1 | RGB          | 4:4:4 10bit |
|             | 4096 x 2160/60p             | 4096 x 2160       | 135.0            | 60.0 <sup>2</sup> | 594.0                 | IL          | 12G-SDI Type 1 | YPbPr        | 4:2:2 10bit |
|             | 4096 x 2160/50p             | 4096 x 2160       | 112.5            | 50.0              | 594.0                 | IL          | 12G-SDI Type 1 | YPbPr        | 4:2:2 10bit |

1 This is supported when the optional Function Board for 12G-SDI Optical (Model No.: TY-SB01FB) is installed in the slot.

2 The signal with 1/1.001x vertical scanning frequency is also supported.

List of Quad link SDI compatible signals

The following table specifies the dual signal SDI signals that the projector can project.

Requires TY-SB01QS Interface Board for 12G-SDI Input.

- The content of the 4K division column is as follows.
  - SQ: Square (transmission format of Square Division) -IL: Interleave (transmission format of 2-Sample Interleave Division)
- The content of the signal type column is as follows.
  - V: Video signal

| Signal Type | Signal name (SIGNAL FORMAT) | Resolution (Dots) | Scanning freq.    |                   | Dot clock freq. (MHz) | 4K division    | Format         | Color format | Sampling    |
|-------------|-----------------------------|-------------------|-------------------|-------------------|-----------------------|----------------|----------------|--------------|-------------|
|             |                             |                   | Horizontal (kHz)  | Vertical (Hz)     |                       |                |                |              |             |
| V           | 3840 x 2160/24p             | 3840 x 2160       | 54.0              | 24.0 <sup>1</sup> | 297.0                 | SQ             | HD-SDI         | YPbPr        | 4:2:2 10bit |
|             |                             | 3840 x 2160       | 54.0              | 24.0 <sup>1</sup> | 297.0                 | SQ             | 3G-SDI Level-A | YPbPr        | 4:2:2 12bit |
|             |                             | 3840 x 2160       | 54.0              | 24.0 <sup>1</sup> | 297.0                 | IL             | 3G-SDI Level-A | YPbPr        | 4:2:2 12bit |
|             |                             | 3840 x 2160       | 54.0              | 24.0 <sup>1</sup> | 297.0                 | SQ             | 3G-SDI Level-B | YPbPr        | 4:2:2 12bit |
|             |                             | 3840 x 2160       | 54.0              | 24.0 <sup>1</sup> | 297.0                 | IL             | 3G-SDI Level-B | YPbPr        | 4:2:2 12bit |
|             |                             | 3840 x 2160       | 54.0              | 24.0 <sup>1</sup> | 297.0                 | SQ             | 3G-SDI Level-A | YPbPr        | 4:4:4 10bit |
|             |                             | 3840 x 2160       | 54.0              | 24.0 <sup>1</sup> | 297.0                 | IL             | 3G-SDI Level-A | YPbPr        | 4:4:4 10bit |
|             |                             | 3840 x 2160       | 54.0              | 24.0 <sup>1</sup> | 297.0                 | SQ             | 3G-SDI Level-B | YPbPr        | 4:4:4 10bit |
|             |                             | 3840 x 2160       | 54.0              | 24.0 <sup>1</sup> | 297.0                 | IL             | 3G-SDI Level-B | YPbPr        | 4:4:4 10bit |
|             |                             | 3840 x 2160       | 54.0              | 24.0 <sup>1</sup> | 297.0                 | SQ             | 3G-SDI Level-A | YPbPr        | 4:4:4 12bit |
|             |                             | 3840 x 2160       | 54.0              | 24.0 <sup>1</sup> | 297.0                 | IL             | 3G-SDI Level-A | YPbPr        | 4:4:4 12bit |
|             |                             | 3840 x 2160       | 54.0              | 24.0 <sup>1</sup> | 297.0                 | SQ             | 3G-SDI Level-B | YPbPr        | 4:4:4 12bit |
|             |                             | 3840 x 2160       | 54.0              | 24.0 <sup>1</sup> | 297.0                 | IL             | 3G-SDI Level-B | YPbPr        | 4:4:4 12bit |
|             |                             | 3840 x 2160       | 54.0              | 24.0 <sup>1</sup> | 297.0                 | SQ             | 3G-SDI Level-A | RGB          | 4:4:4 10bit |
|             |                             | 3840 x 2160       | 54.0              | 24.0 <sup>1</sup> | 297.0                 | IL             | 3G-SDI Level-A | RGB          | 4:4:4 10bit |
|             |                             | 3840 x 2160       | 54.0              | 24.0 <sup>1</sup> | 297.0                 | SQ             | 3G-SDI Level-B | RGB          | 4:4:4 10bit |
|             |                             | 3840 x 2160       | 54.0              | 24.0 <sup>1</sup> | 297.0                 | IL             | 3G-SDI Level-B | RGB          | 4:4:4 10bit |
|             |                             | 3840 x 2160/25p   | 3840 x 2160       | 56.3              | 25.0                  | 297.0          | SQ             | HD-SDI       | YPbPr       |
|             | 3840 x 2160                 |                   | 56.3              | 25.0              | 297.0                 | SQ             | 3G-SDI Level-A | YPbPr        | 4:2:2 12bit |
|             | 3840 x 2160                 |                   | 56.3              | 25.0              | 297.0                 | IL             | 3G-SDI Level-A | YPbPr        | 4:2:2 12bit |
|             | 3840 x 2160                 |                   | 56.3              | 25.0              | 297.0                 | SQ             | 3G-SDI Level-B | YPbPr        | 4:2:2 12bit |
|             | 3840 x 2160                 |                   | 56.3              | 25.0              | 297.0                 | IL             | 3G-SDI Level-B | YPbPr        | 4:2:2 12bit |
|             | 3840 x 2160                 |                   | 56.3              | 25.0              | 297.0                 | SQ             | 3G-SDI Level-A | YPbPr        | 4:4:4 10bit |
|             | 3840 x 2160                 |                   | 56.3              | 25.0              | 297.0                 | IL             | 3G-SDI Level-A | YPbPr        | 4:4:4 10bit |
|             | 3840 x 2160                 |                   | 56.3              | 25.0              | 297.0                 | SQ             | 3G-SDI Level-B | YPbPr        | 4:4:4 10bit |
|             | 3840 x 2160                 |                   | 56.3              | 25.0              | 297.0                 | IL             | 3G-SDI Level-B | YPbPr        | 4:4:4 10bit |
|             | 3840 x 2160                 |                   | 56.3              | 25.0              | 297.0                 | SQ             | 3G-SDI Level-A | YPbPr        | 4:4:4 12bit |
|             | 3840 x 2160                 |                   | 56.3              | 25.0              | 297.0                 | IL             | 3G-SDI Level-A | YPbPr        | 4:4:4 12bit |
|             | 3840 x 2160                 |                   | 56.3              | 25.0              | 297.0                 | SQ             | 3G-SDI Level-B | YPbPr        | 4:4:4 12bit |
|             | 3840 x 2160                 |                   | 56.3              | 25.0              | 297.0                 | IL             | 3G-SDI Level-B | YPbPr        | 4:4:4 12bit |
|             | 3840 x 2160                 |                   | 56.3              | 25.0              | 297.0                 | SQ             | 3G-SDI Level-A | RGB          | 4:4:4 10bit |
|             | 3840 x 2160                 |                   | 56.3              | 25.0              | 297.0                 | IL             | 3G-SDI Level-A | RGB          | 4:4:4 10bit |
|             | 3840 x 2160                 |                   | 56.3              | 25.0              | 297.0                 | SQ             | 3G-SDI Level-B | RGB          | 4:4:4 10bit |
|             | 3840 x 2160                 |                   | 56.3              | 25.0              | 297.0                 | IL             | 3G-SDI Level-B | RGB          | 4:4:4 10bit |
|             | 3840 x 2160/30p             |                   | 3840 x 2160       | 67.5              | 30.0 <sup>1</sup>     | 297.0          | SQ             | HD-SDI       | YPbPr       |
|             |                             | 3840 x 2160       | 67.5              | 30.0 <sup>1</sup> | 297.0                 | SQ             | 3G-SDI Level-A | YPbPr        | 4:2:2 12bit |
|             |                             | 3840 x 2160       | 67.5              | 30.0 <sup>1</sup> | 297.0                 | IL             | 3G-SDI Level-A | YPbPr        | 4:2:2 12bit |
|             |                             | 3840 x 2160       | 67.5              | 30.0 <sup>1</sup> | 297.0                 | SQ             | 3G-SDI Level-B | YPbPr        | 4:2:2 12bit |
|             |                             | 3840 x 2160       | 67.5              | 30.0 <sup>1</sup> | 297.0                 | IL             | 3G-SDI Level-B | YPbPr        | 4:2:2 12bit |
|             |                             | 3840 x 2160       | 67.5              | 30.0 <sup>1</sup> | 297.0                 | SQ             | 3G-SDI Level-A | YPbPr        | 4:4:4 10bit |
|             |                             | 3840 x 2160       | 67.5              | 30.0 <sup>1</sup> | 297.0                 | IL             | 3G-SDI Level-A | YPbPr        | 4:4:4 10bit |
|             |                             | 3840 x 2160       | 67.5              | 30.0 <sup>1</sup> | 297.0                 | SQ             | 3G-SDI Level-B | YPbPr        | 4:4:4 10bit |
|             |                             | 3840 x 2160       | 67.5              | 30.0 <sup>1</sup> | 297.0                 | IL             | 3G-SDI Level-B | YPbPr        | 4:4:4 10bit |
|             |                             | 3840 x 2160       | 67.5              | 30.0 <sup>1</sup> | 297.0                 | SQ             | 3G-SDI Level-A | YPbPr        | 4:4:4 12bit |
|             |                             | 3840 x 2160       | 67.5              | 30.0 <sup>1</sup> | 297.0                 | IL             | 3G-SDI Level-A | YPbPr        | 4:4:4 12bit |
| 3840 x 2160 |                             | 67.5              | 30.0 <sup>1</sup> | 297.0             | SQ                    | 3G-SDI Level-B | YPbPr          | 4:4:4 12bit  |             |
| 3840 x 2160 |                             | 67.5              | 30.0 <sup>1</sup> | 297.0             | IL                    | 3G-SDI Level-B | YPbPr          | 4:4:4 12bit  |             |
| 3840 x 2160 |                             | 67.5              | 30.0 <sup>1</sup> | 297.0             | SQ                    | 3G-SDI Level-A | RGB            | 4:4:4 10bit  |             |
| 3840 x 2160 |                             | 67.5              | 30.0 <sup>1</sup> | 297.0             | IL                    | 3G-SDI Level-A | RGB            | 4:4:4 10bit  |             |
| 3840 x 2160 |                             | 67.5              | 30.0 <sup>1</sup> | 297.0             | SQ                    | 3G-SDI Level-B | RGB            | 4:4:4 10bit  |             |
| 3840 x 2160 |                             | 67.5              | 30.0 <sup>1</sup> | 297.0             | IL                    | 3G-SDI Level-B | RGB            | 4:4:4 10bit  |             |
| 3840 x 2160 |                             | 67.5              | 30.0 <sup>1</sup> | 297.0             | SQ                    | 3G-SDI Level-A | RGB            | 4:4:4 12bit  |             |

| Signal Type | Signal name (SIGNAL FORMAT) | Resolution (Dots) | Scanning freq.   |                   | Dot clock freq. (MHz) | 4K division | Format         | Color format   | Sampling    |             |
|-------------|-----------------------------|-------------------|------------------|-------------------|-----------------------|-------------|----------------|----------------|-------------|-------------|
|             |                             |                   | Horizontal (kHz) | Vertical (Hz)     |                       |             |                |                |             |             |
| V           | 3840 x 2160/30p             | 3840 x 2160       | 67.5             | 30.0 <sup>1</sup> | 297.0                 | IL          | 3G-SDI Level-A | RGB            | 4:4:4 12bit |             |
|             |                             | 3840 x 2160       | 67.5             | 30.0 <sup>1</sup> | 297.0                 | SQ          | 3G-SDI Level-B | RGB            | 4:4:4 12bit |             |
|             |                             | 3840 x 2160       | 67.5             | 30.0 <sup>1</sup> | 297.0                 | IL          | 3G-SDI Level-B | RGB            | 4:4:4 12bit |             |
|             | 3840 x 2160/60p             | 3840 x 2160       | 135.0            | 60.0 <sup>1</sup> | 594.0                 | SQ          | 3G-SDI Level-A | YPbPr          | 4:2:2 10bit |             |
|             |                             | 3840 x 2160       | 135.0            | 60.0 <sup>1</sup> | 594.0                 | IL          | 3G-SDI Level-A | YPbPr          | 4:2:2 10bit |             |
|             |                             | 3840 x 2160       | 135.0            | 60.0 <sup>1</sup> | 594.0                 | SQ          | 3G-SDI Level-B | YPbPr          | 4:2:2 10bit |             |
|             | 3840 x 2160/50p             | 3840 x 2160       | 135.0            | 60.0 <sup>1</sup> | 594.0                 | IL          | 3G-SDI Level-B | YPbPr          | 4:2:2 10bit |             |
|             |                             | 3840 x 2160       | 112.5            | 50.0              | 594.0                 | SQ          | 3G-SDI Level-A | YPbPr          | 4:2:2 10bit |             |
|             |                             | 3840 x 2160       | 112.5            | 50.0              | 594.0                 | IL          | 3G-SDI Level-A | YPbPr          | 4:2:2 10bit |             |
|             | 4096 x 2160/24p             | 4096 x 2160       | 4096 x 2160      | 112.5             | 50.0                  | 594.0       | SQ             | 3G-SDI Level-A | YPbPr       | 4:2:2 10bit |
|             |                             |                   | 4096 x 2160      | 112.5             | 50.0                  | 594.0       | IL             | 3G-SDI Level-A | YPbPr       | 4:2:2 10bit |
|             |                             |                   | 4096 x 2160      | 112.5             | 50.0                  | 594.0       | SQ             | 3G-SDI Level-B | YPbPr       | 4:2:2 10bit |
|             |                             |                   | 4096 x 2160      | 112.5             | 50.0                  | 594.0       | IL             | 3G-SDI Level-B | YPbPr       | 4:2:2 10bit |
|             |                             |                   | 4096 x 2160      | 54.0              | 24.0 <sup>1</sup>     | 297.0       | SQ             | HD-SDI         | YPbPr       | 4:2:2 10bit |
|             |                             |                   | 4096 x 2160      | 54.0              | 24.0 <sup>1</sup>     | 297.0       | SQ             | 3G-SDI Level-A | YPbPr       | 4:2:2 12bit |
|             |                             |                   | 4096 x 2160      | 54.0              | 24.0 <sup>1</sup>     | 297.0       | IL             | 3G-SDI Level-A | YPbPr       | 4:2:2 12bit |
|             |                             |                   | 4096 x 2160      | 54.0              | 24.0 <sup>1</sup>     | 297.0       | SQ             | 3G-SDI Level-B | YPbPr       | 4:2:2 12bit |
|             |                             |                   | 4096 x 2160      | 54.0              | 24.0 <sup>1</sup>     | 297.0       | IL             | 3G-SDI Level-B | YPbPr       | 4:2:2 12bit |
|             |                             |                   | 4096 x 2160      | 54.0              | 24.0 <sup>1</sup>     | 297.0       | SQ             | 3G-SDI Level-A | YPbPr       | 4:4:4 10bit |
|             |                             |                   | 4096 x 2160      | 54.0              | 24.0 <sup>1</sup>     | 297.0       | IL             | 3G-SDI Level-A | YPbPr       | 4:4:4 10bit |
|             |                             |                   | 4096 x 2160      | 54.0              | 24.0 <sup>1</sup>     | 297.0       | SQ             | 3G-SDI Level-B | YPbPr       | 4:4:4 10bit |
|             |                             |                   | 4096 x 2160      | 54.0              | 24.0 <sup>1</sup>     | 297.0       | IL             | 3G-SDI Level-B | YPbPr       | 4:4:4 10bit |
|             |                             |                   | 4096 x 2160      | 54.0              | 24.0 <sup>1</sup>     | 297.0       | SQ             | 3G-SDI Level-A | YPbPr       | 4:4:4 12bit |
|             |                             |                   | 4096 x 2160      | 54.0              | 24.0 <sup>1</sup>     | 297.0       | IL             | 3G-SDI Level-A | YPbPr       | 4:4:4 12bit |
|             |                             |                   | 4096 x 2160      | 54.0              | 24.0 <sup>1</sup>     | 297.0       | SQ             | 3G-SDI Level-B | YPbPr       | 4:4:4 12bit |
|             |                             |                   | 4096 x 2160      | 54.0              | 24.0 <sup>1</sup>     | 297.0       | IL             | 3G-SDI Level-B | YPbPr       | 4:4:4 12bit |
|             |                             |                   | 4096 x 2160      | 54.0              | 24.0 <sup>1</sup>     | 297.0       | SQ             | 3G-SDI Level-A | RGB         | 4:4:4 10bit |
|             |                             |                   | 4096 x 2160      | 54.0              | 24.0 <sup>1</sup>     | 297.0       | IL             | 3G-SDI Level-A | RGB         | 4:4:4 10bit |
|             |                             |                   | 4096 x 2160      | 54.0              | 24.0 <sup>1</sup>     | 297.0       | SQ             | 3G-SDI Level-B | RGB         | 4:4:4 10bit |
|             |                             |                   | 4096 x 2160      | 54.0              | 24.0 <sup>1</sup>     | 297.0       | IL             | 3G-SDI Level-B | RGB         | 4:4:4 10bit |
|             | 4096 x 2160/25p             | 4096 x 2160       | 4096 x 2160      | 54.0              | 24.0 <sup>1</sup>     | 297.0       | SQ             | 3G-SDI Level-A | RGB         | 4:4:4 12bit |
|             |                             |                   | 4096 x 2160      | 54.0              | 24.0 <sup>1</sup>     | 297.0       | IL             | 3G-SDI Level-A | RGB         | 4:4:4 12bit |
|             |                             |                   | 4096 x 2160      | 54.0              | 24.0 <sup>1</sup>     | 297.0       | SQ             | 3G-SDI Level-B | RGB         | 4:4:4 12bit |
|             |                             |                   | 4096 x 2160      | 54.0              | 24.0 <sup>1</sup>     | 297.0       | IL             | 3G-SDI Level-B | RGB         | 4:4:4 12bit |
|             |                             |                   | 4096 x 2160      | 56.3              | 25.0                  | 297.0       | SQ             | HD-SDI         | YPbPr       | 4:2:2 10bit |
|             |                             |                   | 4096 x 2160      | 56.3              | 25.0                  | 297.0       | SQ             | 3G-SDI Level-A | YPbPr       | 4:2:2 12bit |
|             |                             |                   | 4096 x 2160      | 56.3              | 25.0                  | 297.0       | IL             | 3G-SDI Level-A | YPbPr       | 4:2:2 12bit |
|             |                             |                   | 4096 x 2160      | 56.3              | 25.0                  | 297.0       | SQ             | 3G-SDI Level-B | YPbPr       | 4:2:2 12bit |
|             |                             |                   | 4096 x 2160      | 56.3              | 25.0                  | 297.0       | IL             | 3G-SDI Level-B | YPbPr       | 4:2:2 12bit |
|             |                             |                   | 4096 x 2160      | 56.3              | 25.0                  | 297.0       | SQ             | 3G-SDI Level-A | YPbPr       | 4:4:4 10bit |
|             |                             |                   | 4096 x 2160      | 56.3              | 25.0                  | 297.0       | IL             | 3G-SDI Level-A | YPbPr       | 4:4:4 10bit |
|             |                             |                   | 4096 x 2160      | 56.3              | 25.0                  | 297.0       | SQ             | 3G-SDI Level-B | YPbPr       | 4:4:4 10bit |
|             |                             |                   | 4096 x 2160      | 56.3              | 25.0                  | 297.0       | IL             | 3G-SDI Level-B | YPbPr       | 4:4:4 10bit |
|             |                             |                   | 4096 x 2160      | 56.3              | 25.0                  | 297.0       | SQ             | 3G-SDI Level-A | YPbPr       | 4:4:4 12bit |
|             |                             |                   | 4096 x 2160      | 56.3              | 25.0                  | 297.0       | IL             | 3G-SDI Level-A | YPbPr       | 4:4:4 12bit |
|             |                             |                   | 4096 x 2160      | 56.3              | 25.0                  | 297.0       | SQ             | 3G-SDI Level-B | YPbPr       | 4:4:4 12bit |
|             |                             |                   | 4096 x 2160      | 56.3              | 25.0                  | 297.0       | IL             | 3G-SDI Level-B | YPbPr       | 4:4:4 12bit |
|             |                             |                   | 4096 x 2160      | 56.3              | 25.0                  | 297.0       | SQ             | 3G-SDI Level-A | RGB         | 4:4:4 10bit |
|             |                             |                   | 4096 x 2160      | 56.3              | 25.0                  | 297.0       | IL             | 3G-SDI Level-A | RGB         | 4:4:4 10bit |
|             |                             |                   | 4096 x 2160      | 56.3              | 25.0                  | 297.0       | SQ             | 3G-SDI Level-B | RGB         | 4:4:4 10bit |
|             |                             |                   | 4096 x 2160      | 56.3              | 25.0                  | 297.0       | IL             | 3G-SDI Level-B | RGB         | 4:4:4 10bit |
|             | 4096 x 2160/30p             | 4096 x 2160       | 4096 x 2160      | 56.3              | 25.0                  | 297.0       | SQ             | 3G-SDI Level-A | RGB         | 4:4:4 10bit |
|             |                             |                   | 4096 x 2160      | 56.3              | 25.0                  | 297.0       | IL             | 3G-SDI Level-A | RGB         | 4:4:4 10bit |
|             |                             |                   | 4096 x 2160      | 56.3              | 25.0                  | 297.0       | SQ             | 3G-SDI Level-B | RGB         | 4:4:4 10bit |
| 4096 x 2160 |                             |                   | 56.3             | 25.0              | 297.0                 | IL          | 3G-SDI Level-B | RGB            | 4:4:4 10bit |             |
| 4096 x 2160 |                             |                   | 67.5             | 30.0 <sup>1</sup> | 297.0                 | SQ          | HD-SDI         | YPbPr          | 4:2:2 10bit |             |
| 4096 x 2160 |                             |                   | 67.5             | 30.0 <sup>1</sup> | 297.0                 | SQ          | 3G-SDI Level-A | YPbPr          | 4:2:2 12bit |             |
| 4096 x 2160 |                             |                   | 67.5             | 30.0 <sup>1</sup> | 297.0                 | IL          | 3G-SDI Level-A | YPbPr          | 4:2:2 12bit |             |
| 4096 x 2160 |                             |                   | 67.5             | 30.0 <sup>1</sup> | 297.0                 | SQ          | 3G-SDI Level-B | YPbPr          | 4:2:2 12bit |             |
| 4096 x 2160 |                             |                   | 67.5             | 30.0 <sup>1</sup> | 297.0                 | IL          | 3G-SDI Level-B | YPbPr          | 4:2:2 12bit |             |
| 4096 x 2160 |                             |                   | 67.5             | 30.0 <sup>1</sup> | 297.0                 | SQ          | 3G-SDI Level-A | YPbPr          | 4:4:4 10bit |             |
| 4096 x 2160 |                             |                   | 67.5             | 30.0 <sup>1</sup> | 297.0                 | IL          | 3G-SDI Level-A | YPbPr          | 4:4:4 10bit |             |
| 4096 x 2160 |                             |                   | 67.5             | 30.0 <sup>1</sup> | 297.0                 | SQ          | 3G-SDI Level-B | YPbPr          | 4:4:4 10bit |             |
| 4096 x 2160 |                             |                   | 67.5             | 30.0 <sup>1</sup> | 297.0                 | IL          | 3G-SDI Level-B | YPbPr          | 4:4:4 10bit |             |
| 4096 x 2160 |                             |                   | 67.5             | 30.0 <sup>1</sup> | 297.0                 | SQ          | 3G-SDI Level-A | YPbPr          | 4:4:4 12bit |             |
| 4096 x 2160 |                             |                   | 67.5             | 30.0 <sup>1</sup> | 297.0                 | IL          | 3G-SDI Level-A | YPbPr          | 4:4:4 12bit |             |

| Signal Type | Signal name (SIGNAL FORMAT) | Resolution (Dots) | Scanning freq.   |                   | Dot clock freq. (MHz) | 4K division | Format         | Color format | Sampling    |
|-------------|-----------------------------|-------------------|------------------|-------------------|-----------------------|-------------|----------------|--------------|-------------|
|             |                             |                   | Horizontal (kHz) | Vertical (Hz)     |                       |             |                |              |             |
| V           | 4096 x 2160/30p             | 4096 x 2160       | 67.5             | 30.0 <sup>1</sup> | 297.0                 | SQ          | 3G-SDI Level-B | RGB          | 4:4:4 10bit |
|             |                             | 4096 x 2160       | 67.5             | 30.0 <sup>1</sup> | 297.0                 | IL          | 3G-SDI Level-B | RGB          | 4:4:4 10bit |
|             |                             | 4096 x 2160       | 67.5             | 30.0 <sup>1</sup> | 297.0                 | SQ          | 3G-SDI Level-A | RGB          | 4:4:4 12bit |
|             |                             | 4096 x 2160       | 67.5             | 30.0 <sup>1</sup> | 297.0                 | IL          | 3G-SDI Level-A | RGB          | 4:4:4 12bit |
|             |                             | 4096 x 2160       | 67.5             | 30.0 <sup>1</sup> | 297.0                 | SQ          | 3G-SDI Level-B | RGB          | 4:4:4 12bit |
|             | 4096 x 2160/60p             | 4096 x 2160       | 135.0            | 60.0 <sup>1</sup> | 594.0                 | SQ          | 3G-SDI Level-A | YPbPr        | 4:2:2 10bit |
|             |                             | 4096 x 2160       | 135.0            | 60.0 <sup>1</sup> | 594.0                 | IL          | 3G-SDI Level-A | YPbPr        | 4:2:2 10bit |
|             |                             | 4096 x 2160       | 135.0            | 60.0 <sup>1</sup> | 594.0                 | SQ          | 3G-SDI Level-B | YPbPr        | 4:2:2 10bit |
|             |                             | 4096 x 2160       | 135.0            | 60.0 <sup>1</sup> | 594.0                 | IL          | 3G-SDI Level-B | YPbPr        | 4:2:2 10bit |
|             | 4096 x 2160/50p             | 4096 x 2160       | 112.5            | 50.0              | 594.0                 | SQ          | 3G-SDI Level-A | YPbPr        | 4:2:2 10bit |
|             |                             | 4096 x 2160       | 112.5            | 50.0              | 594.0                 | IL          | 3G-SDI Level-A | YPbPr        | 4:2:2 10bit |
|             |                             | 4096 x 2160       | 112.5            | 50.0              | 594.0                 | SQ          | 3G-SDI Level-B | YPbPr        | 4:2:2 10bit |
|             |                             | 4096 x 2160       | 112.5            | 50.0              | 594.0                 | IL          | 3G-SDI Level-B | YPbPr        | 4:2:2 10bit |

1 The signal with 1/1.001x vertical scanning frequency is also supported.